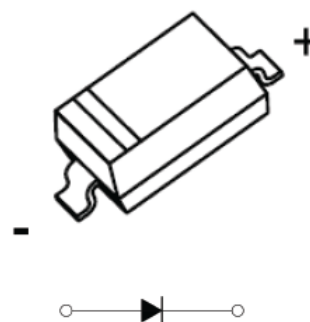


### FEATURE

- Lead Free Finish/RoHS Compliant
- Extremely Low Thermal Resistance
- For Surface Mount Application and High Current Capability

### Schottky Barrier Diode

SOD-123



### MARKING:

MBR0520:R2	MBR0530:R3	MBR0540:R4	MBR0560:R6	MBR0580:R8

The marking bar indicates the cathode

### Maximum Ratings @Ta=25°C

Parameter	Symbol	MUR0520	MUR0530	MUR0540	MUR0560	MUR0580	UNITS
Maximum recurrent peak reverse voltage	VRRM	20	30	40	60	80	V
Maximum RMS voltage	VRMS	14	21	28	42	56	
Mean rectifying current	I <sub>o</sub>	0.5					A
Non-repetitive Peak forward surge current @t=8.3ms	I <sub>FSM</sub>	5.5					A
Power Dissipation	P <sub>D</sub>	410					mW
Thermal Resistance Junction to Ambient	R <sub>θJA</sub>	244					°C/W
Junction temperature	T <sub>j</sub>	125					°C
Storage temperature	T <sub>stg</sub>	-55~+150					°C

**Kingtronics**®

MUR0520 THRU MUR0580

**ELECTRICAL CHARACTERISTICS**

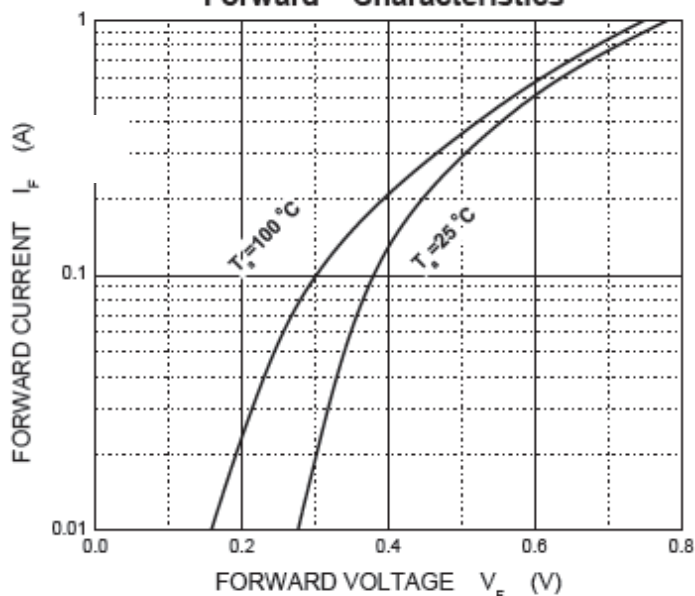
Ta =25°C unless otherwise specified

Parameter	Symbol	Min.	Typ.	Max.	Unit	Conditions
Forward voltage MBR0520 MBR0530 MBR0540 MBR0560 MBR0580	V <sub>F</sub>			0.45 0.55 0.55 0.70 0.80	V	I <sub>F</sub> =500mA
Reverse current MBR0520 MBR0530 MBR0540 MBR0560 MBR0580	I <sub>R</sub>			80	μA	V <sub>R</sub> =20V V <sub>R</sub> =30V V <sub>R</sub> =40V V <sub>R</sub> =60V V <sub>R</sub> =80V
Capacitance between terminals	C <sub>T</sub>		30		pF	V <sub>R</sub> =4V, f=1MHZ

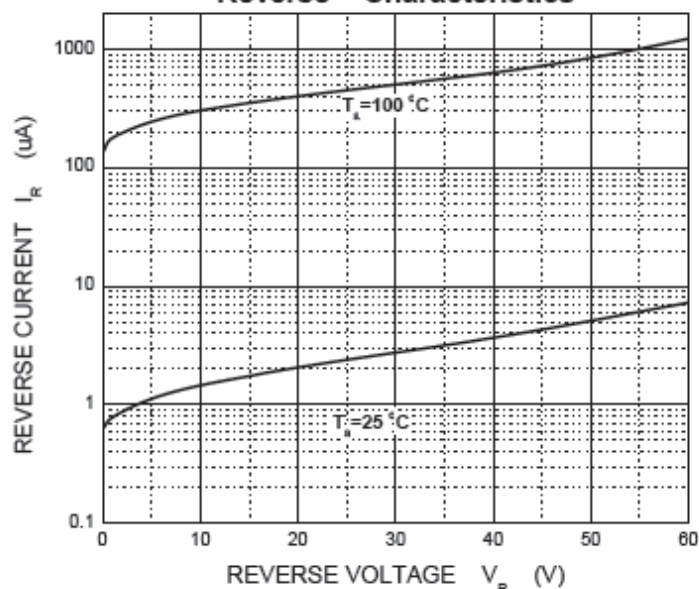
**Kingtronics**® International CompanyWebsite: [www.kingtronics.com](http://www.kingtronics.com) Email: [info@kingtronics.com](mailto:info@kingtronics.com) Tel: (852) 8106 7033 Fax: (852) 8106 7099

### Typical Characteristics

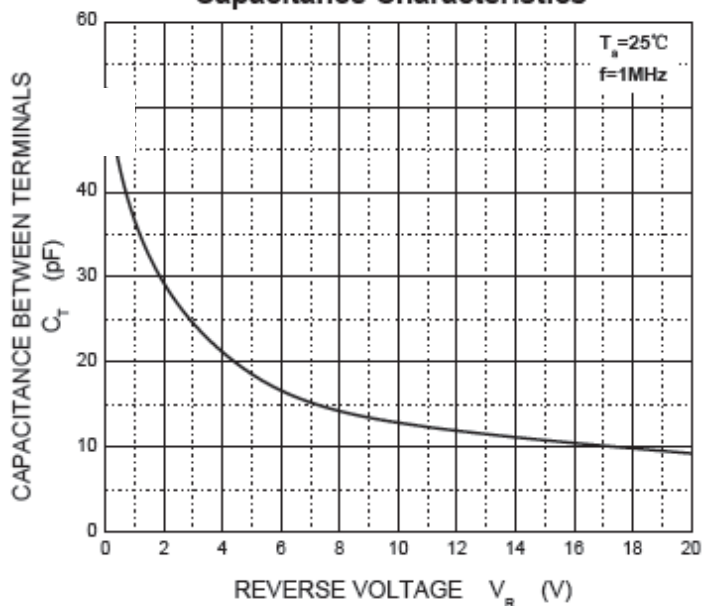
**Forward Characteristics**



**Reverse Characteristics**



**Capacitance Characteristics**



**Power Derating Curve**

