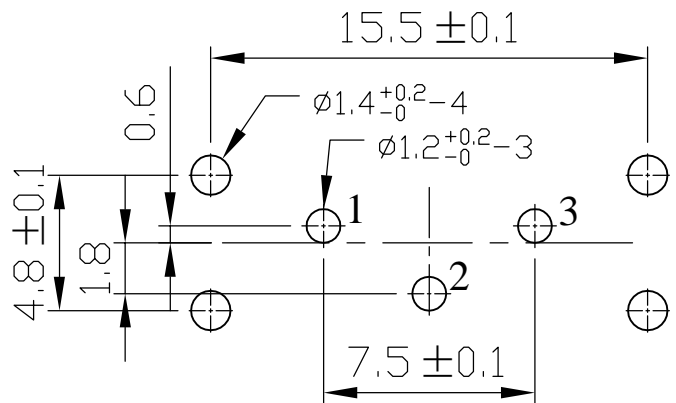


CIRCUIT: NO



Mounting hole detail

L	1.5	2.5	3.0	5.0	9.0	10
	3.0			1.45		
	1.0		1.0			
	1.0		L			

TOLL UNLESS OTHERWISE STATED	
BASIC DIMENSIONS	TOL
L ≤ 10	±0.3
10 < L	±0.5
100 ≤ L	±0.8
ANGLE	±5°

DRAWING NO:	
DEVISION	A/0

KLS ELECTRONIC CO; LTD		
L-KLS4-L1005-B100K-L5		
DSGD	CHKD	A00D
T-G-M	H-R	Z-Y-M

PROJECTION	SCALE	UNIT
	4:1	mm