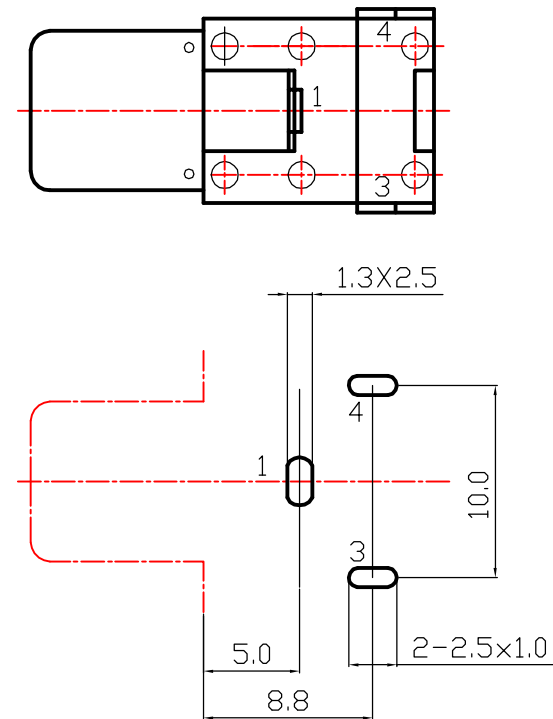


4 (Blue/Green/Black/Red/White/Yellow)



Pin Hole Layout
(Jack Bottom View)

4	PLASTIC HANDLE	ABS	
3	ELASTIC CONTACT	BRASS	Gold
2	RCA JACK	BRASS	Gold
1	DIELECTRIC	ABS	

ITEM	DESIGNATION	MATERIAL
REV	PART NO. & SAMPLE NO.	BY
A		
B		

TOLERANCE	SIGNATURES		DATE
0 - 10 ±0.05	DRAFT: ZHOU XIN GUO	25-12-2017	
10 - 99 ±0.5	CHECKED:		
100 - 999 ±10.0	APPROVAL:		
1000 - 9999 ±100.00	SHEET	SCALE	UNIT
10000 - 99999 ±1000.00	OF	1:1	mm
		REV	∅

 NINGBO KLS ELECTRONIC CO.,LTD.	
TITLE	3P RCA Jack Right Angle Type (Blue/Green/Black/Red/White/Yellow)
CUSTOMER	