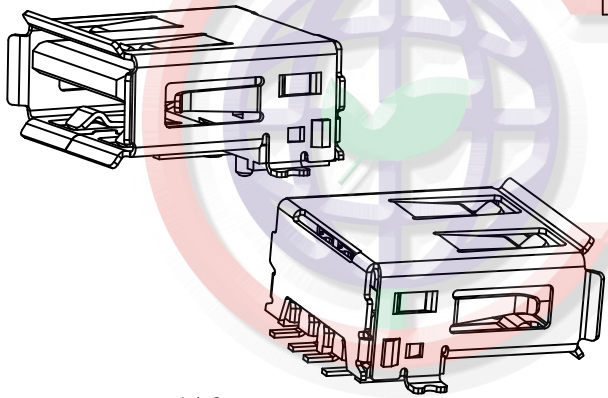
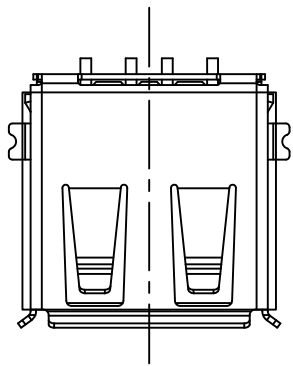


REV.	DESCRIPTION	DRAWN	CHECKED	APPROVED
A	NEW RELEASE	YCH 08/30/08'	~	YCH 08/30/08'
B	CORRECTION DRAWING	JLZ 02/15/16'	HZW 02/15/16'	LJC 02/15/16'
C	DRAWING UPDATE	JLZ 05/31/16'	HZW 05/31/16'	LJC 05/31/16'
D	DRAWING UPDATE	JLZ 03/15/17'	~	



NOTES:

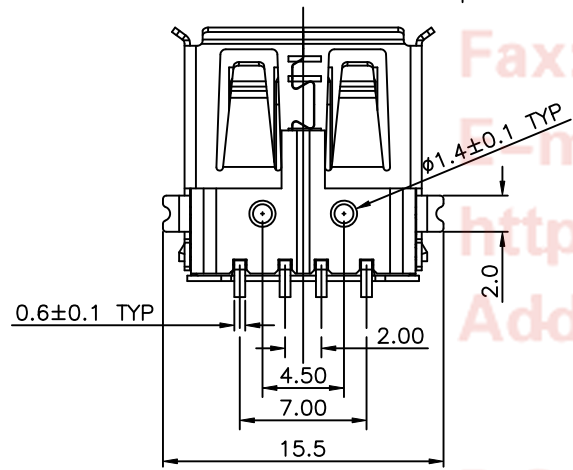
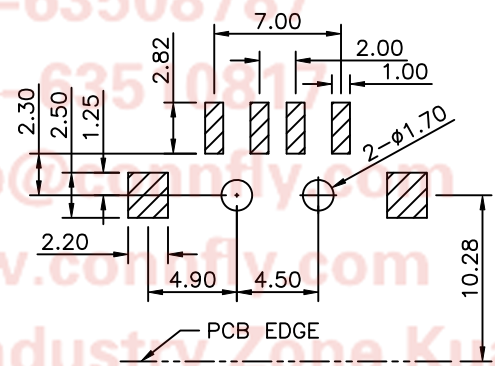
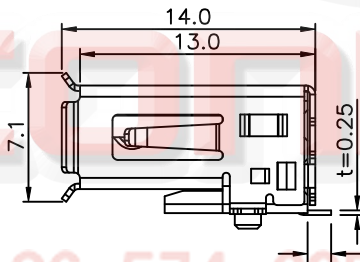
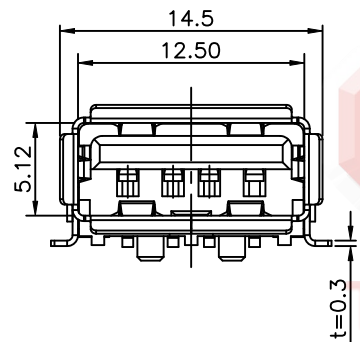
- SPECIFICATIONS:
  - CONTACT RESISTANCE: 30mΩ max.
  - INSULATOR RESISTANCE: 1000MΩ min.AT DC 500V.
  - CURRENT RATING: 1.5A.
  - VOLTAGE RATING: 30V AC/DC.
  - DIELECTRIC STRENGTH: AC 500V FOR 1 Minute.
  - TEMPERATURE RANGE: -40°C ~ +105°C.

- MATERIALS:
  - HOUSING: HIGH TEMPERATURE THERMOPLASTIC(UL 94-0).
  - CONTACT: COPPER ALLOY
  - SHELL: COPPER ALLOY & STEEL.

3. PRODUCT NUMBER CODE:

DS1095-02- X X X X - X X

- SHELL MATERIAL
  - Fe: Steel
  - N/A: Copper Alloy
- PACKING TYPE
  - R: Tape On Reel
  - N/A: Tray
- CONTACT PLATING
  - 0: Selective gold flash
  - 03: Selective gold 3u"
  - 30: Selective gold 30u"
- MOUNTING TYPE
  - M: SMT
- SHELL PLATING:
  - N: Nickel
  - 6: Tin
- COLOR OF HOUSING:
  - W: White
  - B: Black



RECOMMEND PCB LAYOUT (TOLERANCE=±0.05)

GENERAL TOLERANCE		ANGLE TOLERANCE	
X.	±0.60	X.	±5°
.X	±0.38	.X	±3°
.XX	±0.25	.XX	±2°

PROJECTION	TITLE
UNITS	mm
SHEET SIZE	A4

TITLE	
USB FEMALE A TYPE SMT SERIES	SERIES DS1095-02 SERIES

DRAWING TYPE	CUSTOMER
SCALE	1:1 SHEET 1 OF 1
DRAWING NO.	C-DS1095-02-XXMX-X-D

**晨翔电子有限公司**  
**CONNFLY CONNFLY ELECTRONIC CO. LTD**