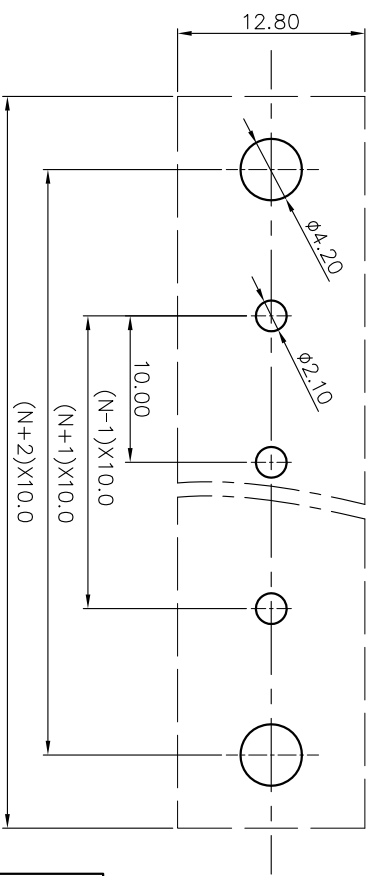
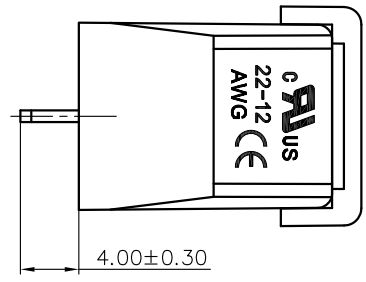
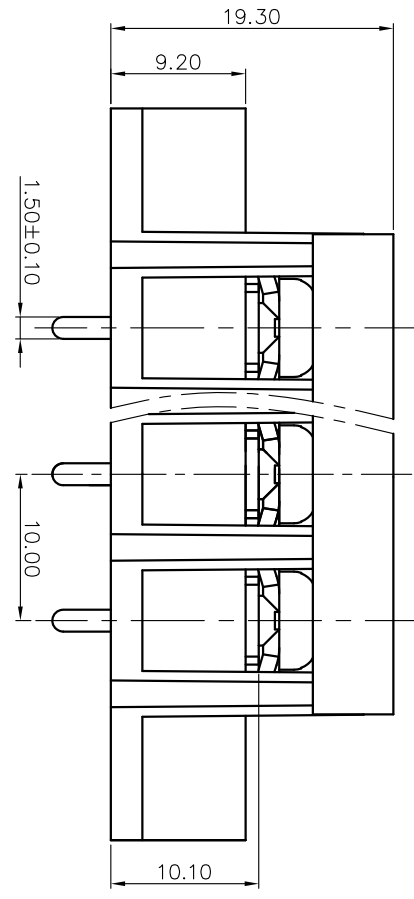
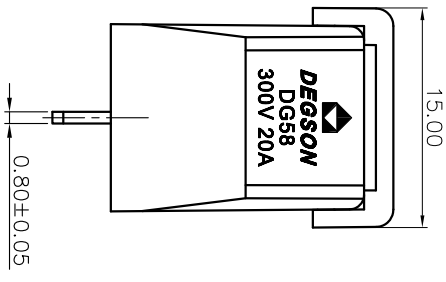
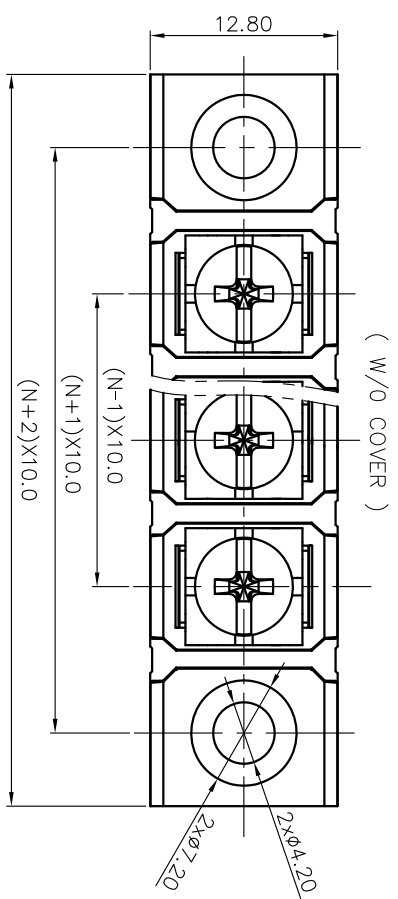


REVISION RECORD			
REV	ECN	DESCRIPTION	DRFT DATE



DG58C-A - XXP - 1Y - 00A (H)  
 (Series No.) (Poles) (Single Pitch) (Color): 1.(Grey)  
 2.(Blue)  
 3.(Black)  
 4.(Green)  
 5.(Orange)  
 6.(Red)  
 7.(Transparent)  
 8.(Yellow)  
 9.(White)

6.RoHS Compliance

Pitch range in mm	Nominal dimension range					
	Over	Over	In	Over	Over	Over
TO	6	10	TO	30	60	100
6	TO	10	24	TO	10	150
±0.15±0.20	±0.30	±0.30	±0.50	±0.70	±1.00	±1.30
						±2

NOTES1:  
 UL Standard  
 1. Rated voltage/current : 300V / 20A  
 2. Torque value : M4 , 10.53lb.in  
 3. Wire range : 22~12AWG

NOTES2:  
 1. Dimension shall be interpreted per ASME Y14.5-2009  
 2. Pitch : 10.0mm, Poles : N=02~20P  
 3. Withstanding voltage : AC1600V/1Min  
 4. Operating temperature : -40°C~+105°C  
 5. Undimensioned tolerances:

DETACHED LISTS			
PART NO.:	/	NAME:	DEGSON® NINGBO DEGSON ELECTRICAL CO., LTD 宁波高松电子有限公司
APPD:	/	APPD:	/
CHKD:	/	CHKD:	/
DRFT:	/	TITLE:	CUSTOMER DRAWING
THIRD ANGLE PROJECTION		DRAWING NO.:	/
		DO NOT SCALE DRAWING	SCALE
			1:1