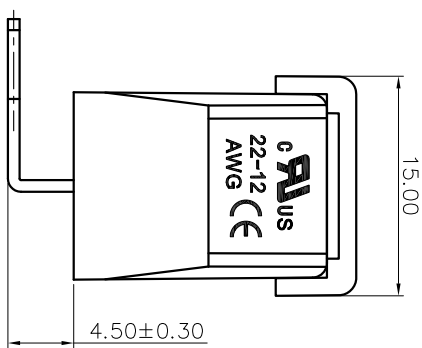
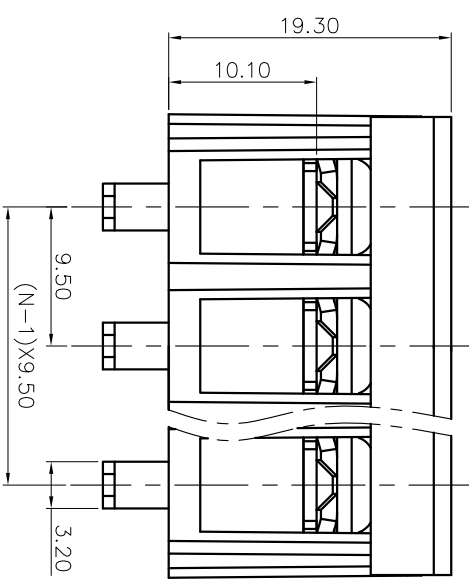
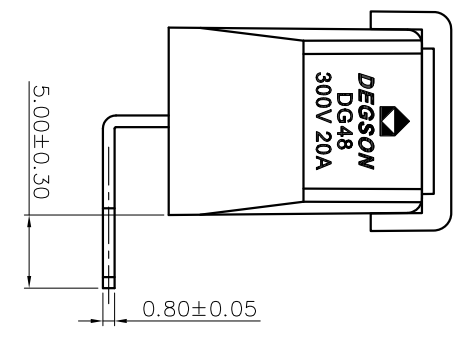
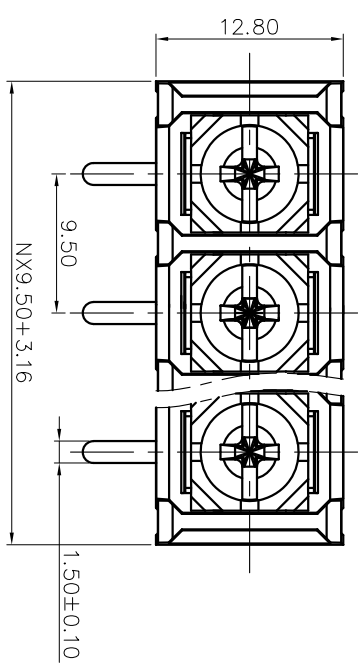


(W/O COVER)



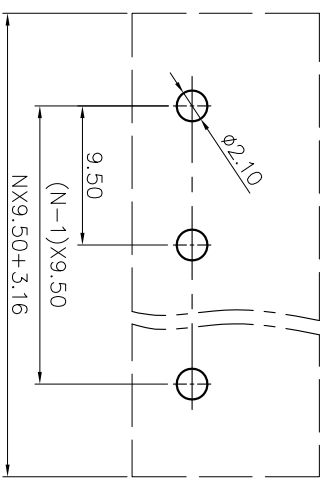
Pitch range in mm		Nominal dimension range		mm	
Over	Over	In	Over	Over	±
TO 6	TO 10	TO 30	TO 60	TO 100	0.1/10
TO 10	TO 24	TO 30	TO 60	TO 100	±
±0.15±0.20	±0.30	±0.30	±0.50	±0.70	±1.00
					±2°

6. RoHS Compliance

- NOTES1:
- UL Standard
 - 1. Rated voltage/current : 300V / 20A
 - 2. Torque value : M4 , 10.53lb.in
 - 3. Wire range : 22~12AWG

- NOTES2:
- 1. Dimension shall be interpreted per ASME Y14.5-2009
 - 2. Pitch : 9.50mm, Poles : N=02~22P
 - 3. Withstanding voltage : AC1600V/1Min
 - 4. Operating temperature: -40°C~+105°C
 - 5. Undimensioned tolerances:

DG48R-B - XXP - 1Y - 00A (H)
 (Series No.) (Poles) (Single Pitch) (Color) : 1.(Grey)
 2.(Blue)
 3.(Black)
 4.(Green)
 5.(Orange)
 6.(Red)
 7.(Transparent)
 8.(Yellow)
 9.(White)



REVISION RECORD			
REV	ECN	DESCRIPTION	DRFT DATE

PART NO. : /		NAME : DEGSON 宁波高松电子有限公司 NINGBO DEGSON ELECTRICAL CO., LTD	
APPD. : /	CHKD. : /	TITLE : CUSTOMER DRAWING	
DRFT. : /		DRAWING NO. : /	REV : DO
THIRD ANGLE PROJECTION		DO NOT SCALE DRAWING	SHEET : 1/1
		SCALE : 1:1	

A 8 7 6 5 4 3 2 1