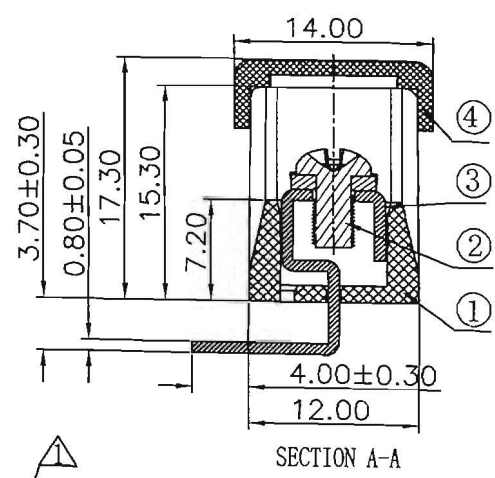
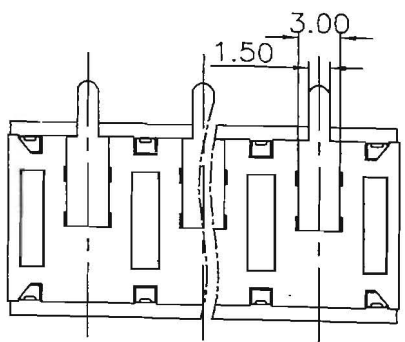
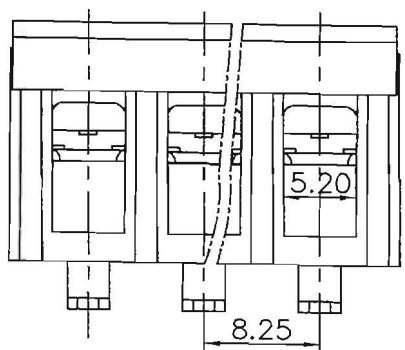
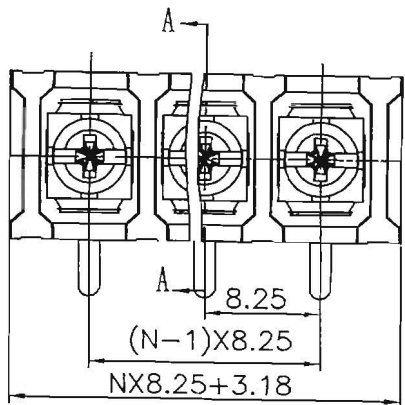


\Degson-wenguan\010 文管中心查收图面\00A改为00A(H)翻图式\DG38-00A(H).dwg, 2007-12-14 13:52:37, Administrator, \Degson-wenguan\HP LaserJet 1020

D1RFRD006



REVISION RECORD				
REV	ECO	DESCRIPTION	DRFT	DATE
△		增加UL刻字	CSX	03/13/07
△		品名、料号增加环保标识“00”	Ye.j	12/08/07

- Notes:
1. Pitch: 8.25mm, Poles: 2-26P
 2. Rated current: 15A
 3. Rated voltage: 300V
 4. Operation temperatures: -40° C ~ +105° C
 5. Insulation Withstand Voltage: AC2000V/Min
 6. Insulation Resistance: 500MΩ/DC500V
 7. Wire Range: 22~14AWG
 8. Max. Torque Value: 5.1kgf.cm
 9. Undimensioned Tolerances:

Pitch range in mm		Nominal dimension range in mm						
to	over	to	over	over	over			
6	10	10	30	60	100	150	∩	
6	10	24	30	60	100	150	□	
±0.10	±0.15	±0.25	±0.2	±0.3	±0.5	±0.7	±1.0	0.05/0



4	DG38-Cover	5050C07XXA(H)	1	PC	
3	DG28R Pin header	5006B00070(H)	XX	Brass	SnCe plated
2	M3*6 (6*6) bright Screws	S000000450(H)	XX	Steel	Ni plated

1	DG38-B housing	5050A0YXXA(H)	1	PA66+23%GF	UL94V-0
ITEM	NAME OF PART	NO. OF PART	Q'TY	MATERIAL	NOTES
MIN (INCH) TOLERANCES EXCEPT AS NOTED .05 ± .00 ± .000 ±		DFTD Zhuym DATE 12/28/05 CHKD Houwp DATE 12/14/07 INFO DATE APPR. Date DATE 12/12/07 MATERIAL: ANGLES ± 1° THIRD ANGLE PROJECTION	DEGSON 宁波高正电子有限公司 DEGSON ELECTRONICS CO., LTD NAME DG38R-B-XXP-1Y-00A(H) DRAWING NO. DG38R-E02 /PART NO. DO NOT SCALE DRAWING		
SCALE: 1:1				SIZE A3	REV T2 12/08/07
SHEET 1				OF 1	

8 7 6 5 4 3 2 1