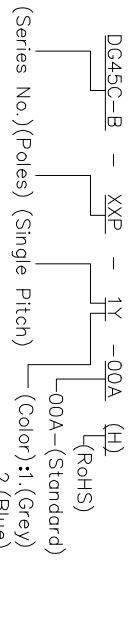
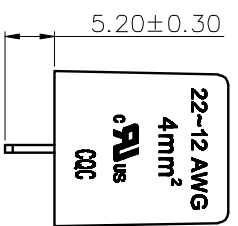
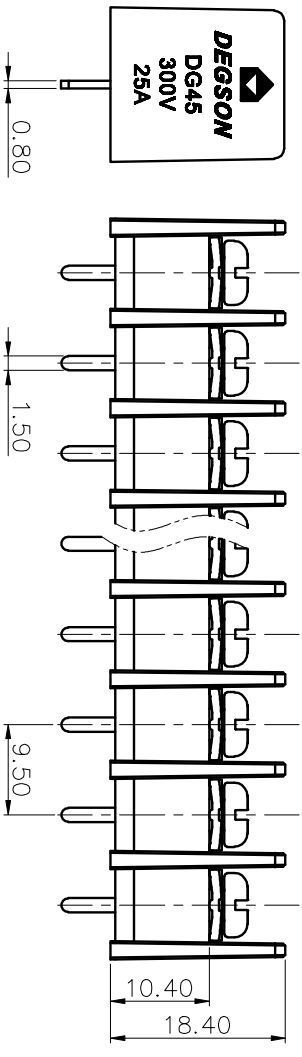
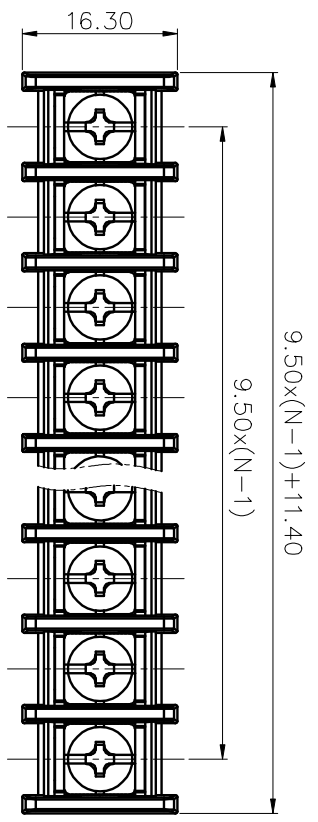


REVISION RECORD			
REV	ECN	DESCRIPTION	DRFT DATE

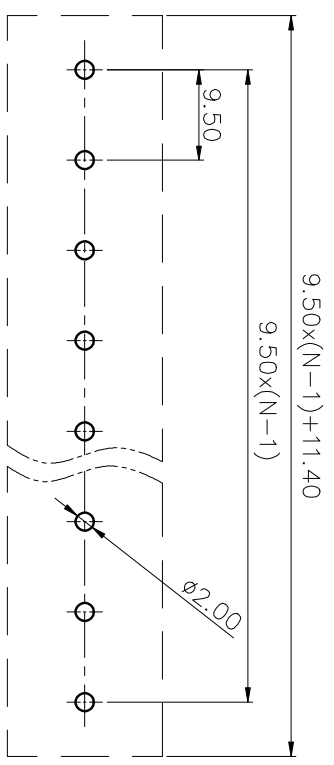


- (Series No.)(Poles) (Single Pitch) (Color):!(.(Grey)
 2.(Blue)
 3.(Black)
 4.(Green)
 5.(Orange)
 6.(Red)
 7.(Transparent)
 8.(Yellow)
 9.(White)

- NOTES1:
 UL Standard
 1. Rated voltage/current : 300V / 25A
 2. Torque value : M4 , 10.53Lb.in
 3. Wire range : 22~12 AWG
- NOTES2:
 1. Dimension shall be interpreted per ASME Y14.5-2009
 2. Pitch : 9.50mm, Poles : N=02~26P
 3. Withstanding voltage : AC1600V/1Min
 4. Operating temperature: -40°C~+105°C
 5. Undimensioned tolerances:

Pitch Range	In mm	Nominal Dimension Range	mm	mm
Over	6	Over	60	Over
To	10	To	100	To
6	10	24	30	150
10	24	30	60	150
30	60	100	150	±2
±0.15	±0.20	±0.30	±0.50	±0.70
±1.00	±1.30	±1.50	±1.00	±1.30

 6. RoHS Compliance



PART NO.:		DETACHED LISTS	
		APPD:	
		CHKD:	
		DRFT:	
		THIRD ANGLE PROJECTION	
NAME:		TITLE: CUSTOMER DRAWING	
DRAWING NO.:		REV	
SCALE		SHEET	
		SCALE	

DEGSON 宁波德森电子有限公司
 NINGBO DEGSON ELECTRICAL CO., LTD

DG45C-B-XXP-1Y-00A(H)