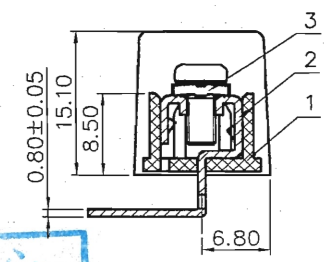
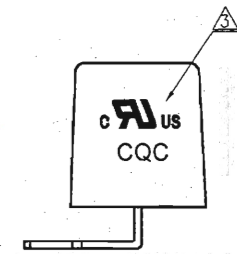
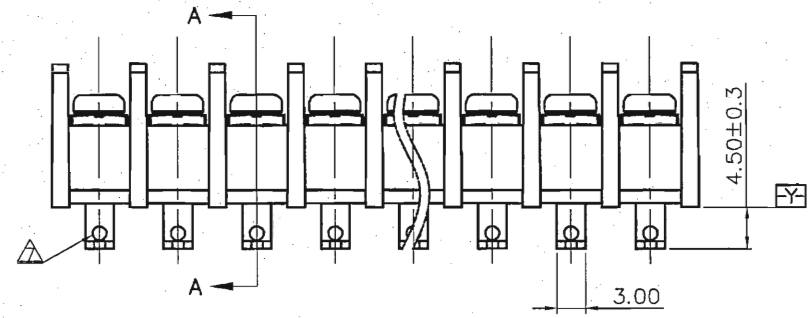
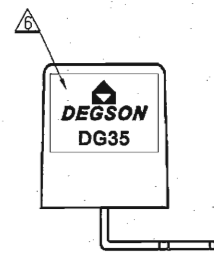
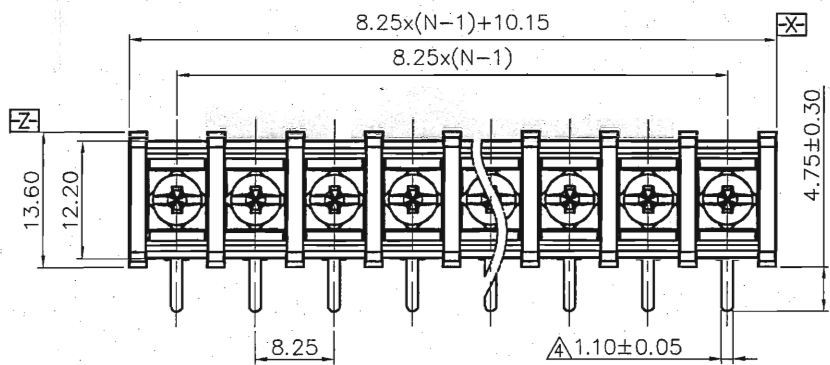


REVISION RECORD				
REV	ECN	DESCRIPTION	DRFT	DATE
△		图面整理	Hang	02/08/06
△		增加UL刻字	CSX	06/08/06
△		修改脚宽	CSX	09/20/06
△		品名、料号增加环保标识“(H)”	YeJ	12/08/07
△		工程变更, 更改商标品名到侧面	WLM	07/19/08
△	15-0188	根据实物修改图面	Yu jin	05/21/15



- NOTES:
- 1.DIMENSION SHALL BE INTERPRETED PER ASME Y14.5-2009.
 - 2.PITCH: 8.25mm ,POLES:N=02-26P
 - 3.UL: 300V/20A
 - 4.IEC: 450V/32A
 - 5.WITHSTANDING VOLTAGE: AC1600V/1MIN
 - 6.LOWER LIMIT TEMPERATURE: -40℃
 - 7.UPPER LIMIT TEMPERATURE: +105℃
 - 8.WIRE RANGE: 4MM², 22AWG~12AWG
 - 9.TORQUE VALUE :M3 0.5N.m/4.43Lb.in.
 - 10.UNDIMENSIONED TOLERANCES:

PITCH RANGE IN MM		NOMINAL DIMENSION RANGE IN MM						-
TO	OVER	TO	TO	TO	TO	TO	OVER	
6	10	10	24	30	60	100	150	∩
10	24	30	60	100	150	150		◻
±0.10	±0.15	±0.25	±0.20	±0.30	±0.50	±0.70	±1.00	0.05/10

文管中心
研发专用
2015.05.26
(仅限内部使用, 对外无效)

ITEM	NAME OF PART	NO. OF PART	Q'TY	MATERIAL	NOTES
3	3*6 bright-Screw	S000000450(H)	XX	Steel	Ni Plated
2	DG25R-Pin Header	5001B00060(H)	XX	Brass	Sn Plated
1	DG35-Housing	5002AYYXXA(H)	1	PA66	UL94V-0

DETACHED LISTS	← MM (INCH) →	MATERIAL:	宁波高正电子有限公司		
	TOLERANCES EXCEPT AS NOTED	FINISH:	DEGSON® DEGSON ELECTRONICS CO., LTD		
	.X ± .XX ± .XXX ±	PART NO.:	NAME: DG35R-B-XXP-1Y-00A(H)△		
	.X' ± .XX' ± .XXX' ±	APPD: <i>Aaron 5/22/15</i>	TITLE: ASSEMBLY DRAWING	REV	T7
ANGLES ± 1'	THIRD ANGLE PROJECTION	CHKD: <i>peany/6/15</i>	DRAWING NO.: DG35R-E01	DO NOT SCALE DRAWING	SCALE N/A
		DRFT: Zhuhm 03/03/04			SHEET 1/1