

The 1117 series of adjustable and fixed voltage regulators are designed to provide 1A output current and to operate down to 1V input-to-output differential. The dropout voltage of the device is guaranteed maximum 1.3V at maximum output current, decreasing at lower load currents.

On-chip trimming adjusts the reference voltage to 1%. Current limit is also trimmed, minimizing the stress under overload conditions on both the regulator and power source circuitry.

The 1117 devices are pin compatible with other three-terminal SCSII regulators and are offered in the low profile surface mount SOT-223 package, in the TO-220 package and in the TO-252 (DPAK) plastic package.

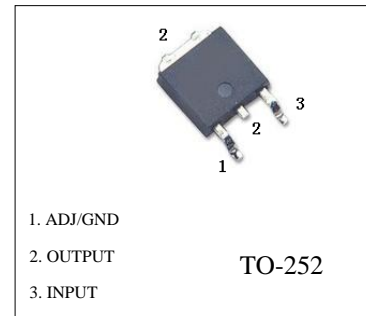
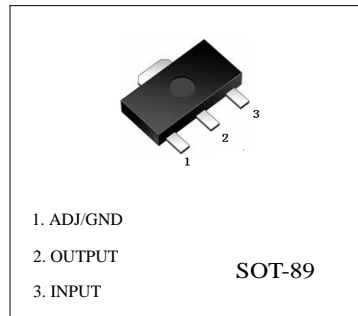
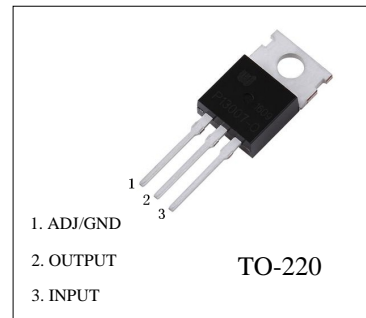
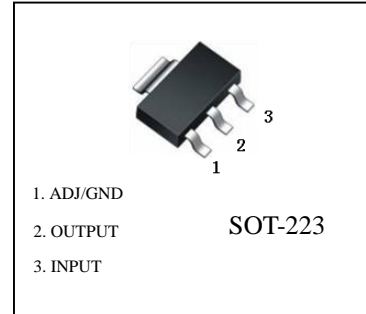
FEATURES

- Three Terminal Adjustable or Fixed Voltages*
1.25V, 1.5V, 1.8V, 2.5V, 2.85V, 3.3V and 5.0V
- Output Current of 1A
- Operates Down to 1V Dropout
- Line Regulation: 0.2% Max.
- Load Regulation: 0.4% Max.
- SOT-223, TO-252 and TO-220 package available

APPLICATIONS

- High Efficiency Linear Regulators
- Post Regulators for Switching Supplies
- 5V to 3.3V Linear Regulator
- Battery Chargers
- Active SCSI Terminators
- Power Management for Notebook
- Battery Powered Instrumentation

1117 series



MAXIMUM RATINGS (TA=25°C unless otherwise noted)

Symbol	Description	Max	Units
VIN (Notes 1)	Input Voltage	15	V
IOUT	DC Output Current	PD/(VIN-VO)	mA
TJ	Operating Junction Temperature Range	-40 to 125	°C
θJA	Thermal Resistance (SOT-223)	150	°C/W
θJA	Thermal Resistance (TO-252)	80	°C/W
θJA	Thermal Resistance (TO-220)	60	°C/W
PD	Maximum Power Dissipation (SOT-223)	Internally Limited	mW
PD	Maximum Power Dissipation (TO-252)		mW
PD	Maximum Power Dissipation (SOT-220)		mW

ELECTRICAL CHARACTERISTICS
1117

 Electrical Characteristics at $I_{OUT} = 0 \text{ mA}$, and $T_J = +25 \text{ }^\circ\text{C}$ unless otherwise specified.

Parameter	Device	Conditions	Min	Typ	Max	Units
Reference Voltage (Note 2)	1117 -ADJ	$I_{OUT} = 10 \text{ mA}$ 10 mA I_{OUT} 1 A , 1.5 V $(V_{IN} - V_{OUT})$ 12 V	1.238	1.250	1.262	V
			1.225	1.250	1.270	
Reference Voltage (Note 2)	1117-1.5	0 I_{OUT} 1 A , 3.0 V V_{IN} 12 V	1.485 1.476	1.500 1.500	1.515 1.524	V
	1117-1.8	0 I_{OUT} 1 A , 3.3 V V_{IN} 12 V	1.782 1.773	1.800 1.800	1.818 1.827	
	1117-2.5	0 I_{OUT} 1 A , 4.0 V V_{IN} 12 V	2.475 2.460	2.500 2.500	2.525 2.560	V
	1117-2.85	0 I_{OUT} 1 A , 4.35 V V_{IN} 12 V	2.82 2.79	2.850 2.850	2.88 2.91	
	1117-3.3	0 I_{OUT} 1 A , 4.75 V V_{IN} 12 V	3.267 3.235	3.300 3.300	3.333 3.365	V
	1117-5.0	0 I_{OUT} 1 A , 6.5 V V_{IN} 12 V	4.950 4.900	5.000 5.000	5.050 5.100	
Line Regulation	1117 -ADJ	$I_{LOAD} = 10 \text{ mA}$, 1.5 V $(V_{IN} - V_{OUT})$ 12 V		0.015 0.035	0.2 0.2	%
	1117-1.5	3.0 V V_{IN} 12 V		0.3 0.6	5 6	
	1117-1.8	3.3 V V_{IN} 12 V		0.3 0.6	5 6	mV
	1117-2.5	4.0 V V_{IN} 12 V		0.3 0.6	6 6	
	1117-2.85	4.35 V V_{IN} 12 V		0.3 0.6	6 6	mV
	1117-3.3	4.75 V V_{IN} 12 V		0.5 1.0	10 10	
	1117-5.0	6.5 V V_{IN} 12 V		0.5 1.0	10 10	mV
	1117 -ADJ	$(V_{IN} - V_{OUT}) = 3 \text{ V}$, 10 mA I_{OUT} 1 A		0.1 0.2	0.3 0.4	
Load Regulation (Notes 2, 3)	1117-1.5	$V_{IN} = 5 \text{ V}$, 0 I_{OUT} 1 A		3 6	10 20	mV
	1117-1.8	$V_{IN} = 5 \text{ V}$, 0 I_{OUT} 1 A		3 6	10 20	
	1117-2.5	$V_{IN} = 5 \text{ V}$, 0 I_{OUT} 1 A		3 6	12 20	mV

ELECTRICAL CHARACTERISTICS
1117

Electrical Characteristics at IOUT = 0 mA, and TJ = +25 °C unless otherwise specified.

Parameter	Device	Conditions	Min	Typ	Max	Units
Load Regulation (Notes 2, 3)	1117-2.85	VIN = 5V, IOUT = 1A		3 6	12 20	mV mV
	1117-3.3	VIN = 5V, IOUT = 1A		3 7	15 25	mV mV
	1117-5.0	VIN = 8V, IOUT = 1A		5 10	20 35	mV mV
Dropout Voltage (VIN - VOUT)	1117-1.5/-1.8/-2.5/-2.85/-3.3/-5.0	VOUT, VREF = 1%, IOUT = 1A (Note 4)		1.1	1.3	V
Current Limit	1117-1.5/-1.8/-2.5/-2.85/-3.3/-5.0	(VIN - VOUT) = 5V	900	1,100	1,500	mA
Minimum Load Current	1117	(VIN - VOUT) = 12V (Note 5)		5	10	mA
Quiescent Current	1117-1.5/-1.8/-2.5/-2.85/-3.3/-5.0	VIN = 12V		5	10	mA
Ripple Rejection	1117	f = 120Hz, COUT = 22μF Tantalum, IOUT = 1A, (VIN - VOUT) = 3V, CADJ = 10μF	60	75		dB
	1117-1.5/-1.8/-2.5/-2.85	f = 120Hz, COUT = 22μF Tantalum, IOUT = 1A, VIN = 6V	60	72		dB
	1117-3.3	f = 120Hz, COUT = 22μF Tantalum, IOUT = 1A, VIN = 6.3V	60	72		dB
	1117-5.0	f = 120Hz, COUT = 22μF Tantalum, IOUT = 1A, VIN = 8V	60	68		dB
Thermal Regulation	1117	TA = 25°C, 30ms pulse		0.008	0.04	%W
Adjust Pin Current	1117	10mA IOUT = 1A, 1.5V (VIN - VOUT) = 12V		55	120	μA μA
Adjust Pin Current Change	1117	10mA IOUT = 1A, 1.5V (VIN - VOUT) = 12V		0.2	5	μA
Temperature Stability				0.5		%
Long Term Stability		TA = 125°C, 1000Hrs		0.3	1	%
RMS Output Noise (% of VOUT)		TA = 25°C, 10Hz ≤ f ≤ 10kHz		0.003		%
Thermal Resistance Junction-to-Case					15	°C/W

 OParameters identified with **boldface type** apply over the full operating temperature range.

Note 1: Absolute Maximum Ratings indicate limits beyond which damage to the device may occur. For guaranteed specifications and test conditions, see the Electrical Characteristics. The guaranteed specifications apply only for the test conditions listed.

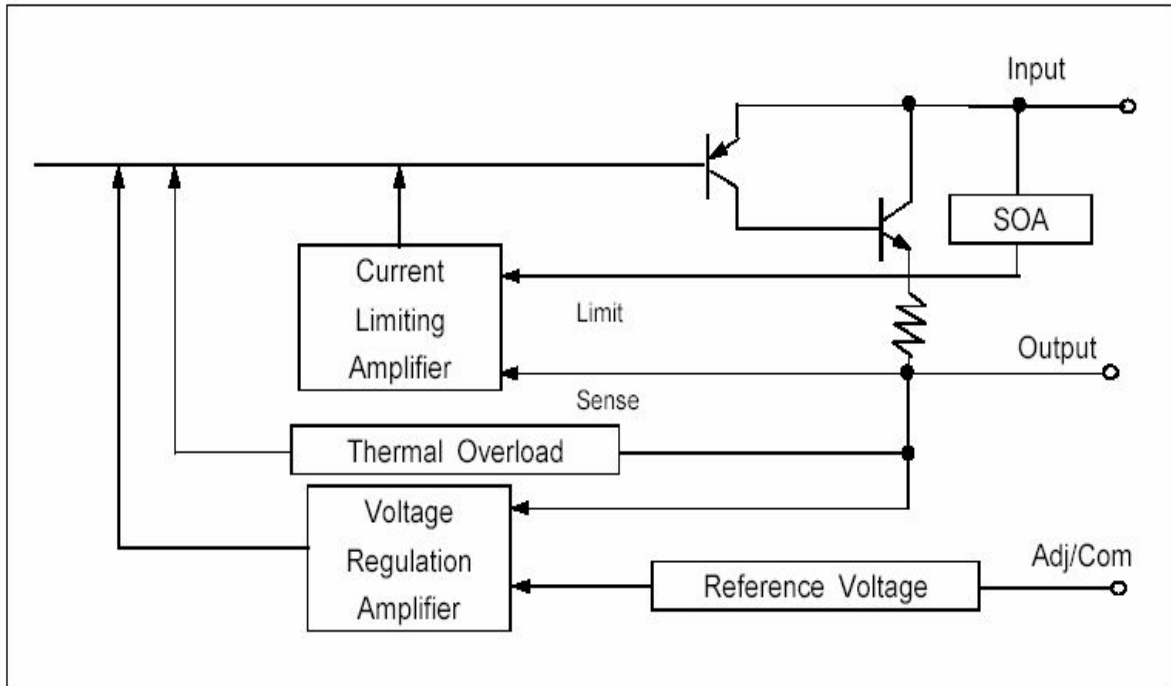
Note 2: Line and Load regulation are guaranteed up to the maximum power dissipation of 1.2 W. Power dissipation is determined by the input/output differential and the output current. Guaranteed maximum power dissipation will not be available over the full input/output range.

Note 3: See thermal regulation specifications for changes in output voltage due to heating effects. Line and load regulation are measured at a constant junction temperature by low duty cycle pulse testing. Load regulation is measured at the output lead ~1/8" from the package.

Note 4: Dropout voltage is specified over the full output current range of the device.

Note 5: Minimum load current is defined as the minimum output current required to maintain regulation. When 1.5V ≤ (VIN - VOUT) ≤ 12V the device is guaranteed to regulate if the output current is greater than 10mA.

Block Diagram



Application Information

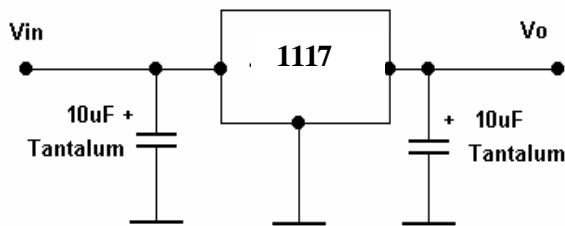


FIGURE 1. Fixed-Voltage Model
—Basic Connections. --Basic Connections.

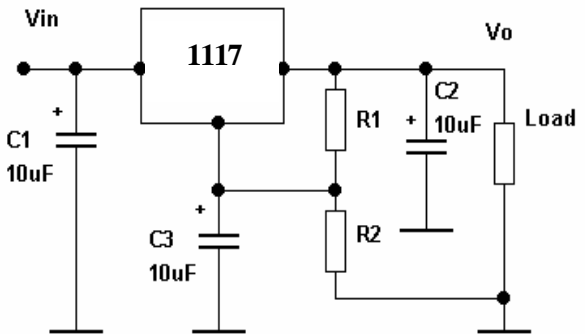


FIGURE 2. Adjustable-Voltage Model

$$V_o = V_{ref}(1 + R2/R1) + I_{adj} * R2$$

Output voltage adjustment

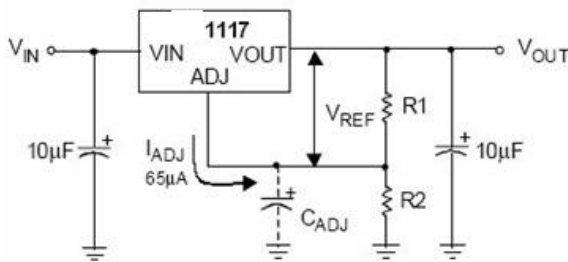
1117

Like most regulators, the 1117 regulates the output by comparing the output voltage to an internally generated reference voltage. On the adjustable version as shown in Fig.4, the V_{REF} is available externally as 1.25V between V_{OUT} and ADJ. The voltage ratio formed by R1 and R2 should be set to conduct 10mA (minimum output load).

The output voltage is given by the following equation:

$$V_{OUT} = V_{REF} \left(1 + \frac{R1}{R2}\right) + I_{ADJ} \times R2$$

On fixed versions of 1117, the voltage divider is provided internally



Input Bypass Capacitor

An input capacitor is recommended. A 10µF tantalum on the input is a suitable input bypassing for almost all applications.

Adjust Terminal Bypass Capacitor

The adjust terminal can be bypassed to ground with a bypass capacitor (CADJ) to improve ripple rejection. This bypass capacitor prevents ripple from being amplified as the output voltage is increased. At any ripple frequency, the impedance of the CADJ should be less than R1 to prevent the ripple from being amplified:

$$(2\pi * f_{RIPPLE} * C_{ADJ}) < R1$$

The R1 is the resistor between the output and the adjust pin. Its value is normally in the range of 100- 200Ω. For example, with R1 = 124Ω and $f_{RIPPLE} = 120\text{Hz}$, the CADJ should be > 11Mf

Output Capacitor

1117 requires a capacitor from VOUT to GND to provide compensation feedback to the internal gain stage. This is to ensure stability at the output terminal. Typically, a 10µF tantalum or 50µF aluminum electrolytic is sufficient.

Note: It is important that the ESR for this capacitor does not exceed 0.5 Ω.

The output capacitor does not have a theoretical upper limit and increasing its value will increase stability. $C_{OUT} = 100\mu\text{F}$ or more is typical for high current regulator design.

Load Regulation

When the adjustable regulator is used (Fig.5), the best load regulation is accomplished when the top of the resistor divider (R1) is connected directly to the output pin of the 1117. When so connected, R_P is not multiplied by the divider ratio.

For Fixed output version, the top of R1 is internally connected to the output and ground pins can be connected to low side of the load.

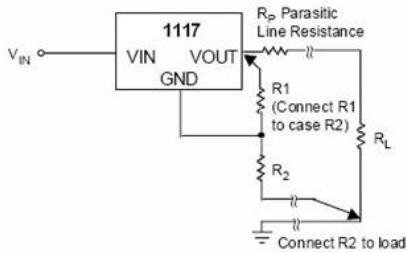


Figure 5. Best Load Regulation Using Adjustable Output Regulator

Thermal Protection

1117 has thermal protection which limits junction temperature to 150 °C. However, device functionality is only guaranteed to a maximum junction temperature of +125 °C. The power dissipation and junction temperature for 1117 in DPAK package are given by

$$P_D = (V_{IN} - V_{OUT}) \times I_{OUT}$$

$$T_{JUNCTION} = T_{AMBIENT} + (P_D \times \theta_{JA})$$

Note: $T_{JUNCTION}$ must not exceed 125 °C

Current Limit Protection

1117 is protected against overload conditions. Current protection is triggered at typically 1.6A.

Thermal Consideration

The 1117 series contain thermal limiting circuitry designed to protect itself from over-temperature conditions. Even for normal load conditions, maximum junction temperature ratings must not be exceeded. As mentioned in the thermal protection section, we need to consider all sources of thermal resistance between junction and ambient. It includes junction-to-case, case-to-heat-sink interface, and heat sink thermal resistance itself.

Junction-to-case thermal resistance is specified from the IC junction to the bottom of the case directly below the die. Proper mounting is required to ensure the best possible thermal flow from this area of the package to the heat sink. The case of all devices in this series is electrically connected to the output. Therefore, if the case of the device must be electrically isolated, a thermally conductive spacer is recommended.

Typical Characteristics

