



SPECIFICATION

MODULE NO.: WF50BTIAGDNT0#

General Specifications

Item	Dimension	Unit
Size	5.0	inch
Dot Matrix	800× 3(RGB) × 480	dots
Module dimension	120.7(W) ×75.8(H) ×4.3	mm
Active area	108(W) ×64.8 (H)	mm
Dot pitch	0.135(W) ×0.135(H)	mm
LCD type	TFT, Normally White, Transmissive	
View Direction	12 o'clock	
Gray Scale Inversion Direction	6 o'clock	
Backlight Type	LED ,Normally White	
With /Without TP	With RTP	
Surface	Anti-Glare	

*Color tone slight changed by temperature and driving voltage.

Absolute Maximum Ratings

Item	Symbol	Min	Typ	Max	Unit
Operating Temperature	TOP	-20	—	+70	°C
Storage Temperature	TST	-30	—	+80	°C

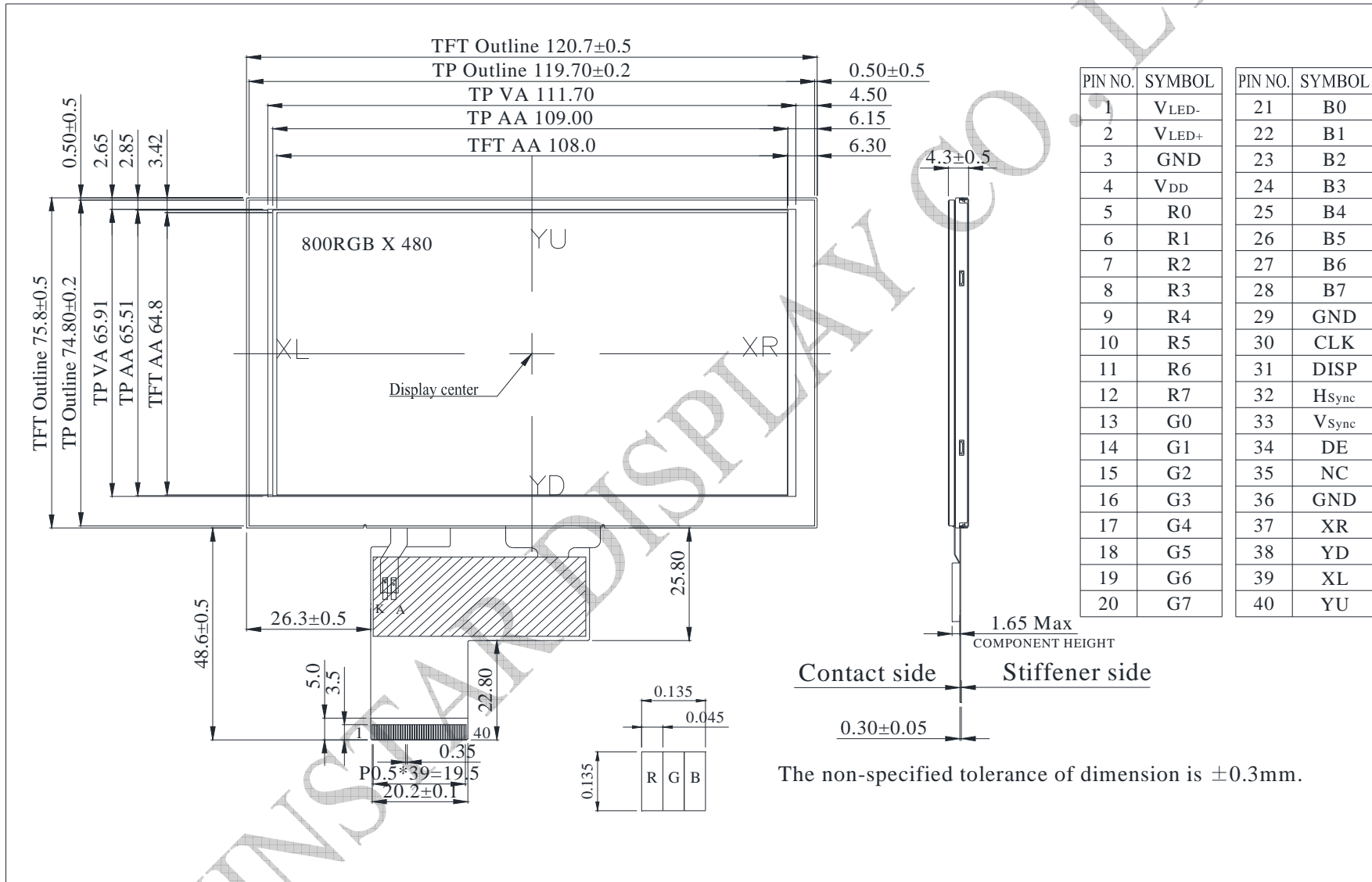
Electrical Characteristics

Item	Symbol	Values			Unit
		Min.	Typ.	Max.	
Power voltage	VDD	3.1	3.3	3.5	V
Current for Driver(Black)	I _{dd}	-	110	170	mA
Input logic high voltage	V _{IH}	0.7 VDD	-	VDD	V
Input logic low voltage	V _{IL}	0	-	0.3 VDD	

Interface

Pin	Symbol	Function
1	VLED-	Power for LED backlight (Cathode)
2	VLED+	Power for LED backlight (Anode)
3	GND	Power Ground
4	VDD	Power voltage
5	R0	Red data (LSB)
6	R1	Red data
7	R2	Red data
8	R3	Red data
9	R4	Red data
10	R5	Red data
11	R6	Red data
12	R7	Red data(MSB)
13	G0	Green data(LSB)
14	G1	Green data
15	G2	Green data
16	G3	Green data
17	G4	Green data
18	G5	Green data
19	G6	Green data
20	G7	Green data(MSB)
21	B0	Blue data(LSB)
22	B1	Blue data
23	B2	Blue data
24	B3	Blue data
25	B4	Blue data
26	B5	Blue data
27	B6	Blue data
28	B7	Blue data(MSB)
29	GND	Power Ground
30	CLK	Sample clock
31	DISP	Display on/off
32	HSync	Horizontal sync input
33	VSynC	Vertical sync input
34	DE	Data input enable
35	NC	No connection
36	GND	Power Ground
37	XR	Right electrode
38	YD	Down electrode
39	XL	Left electrode
40	YU	Top electrode

Contour Drawing



The non-specified tolerance of dimension is ±0.3mm.