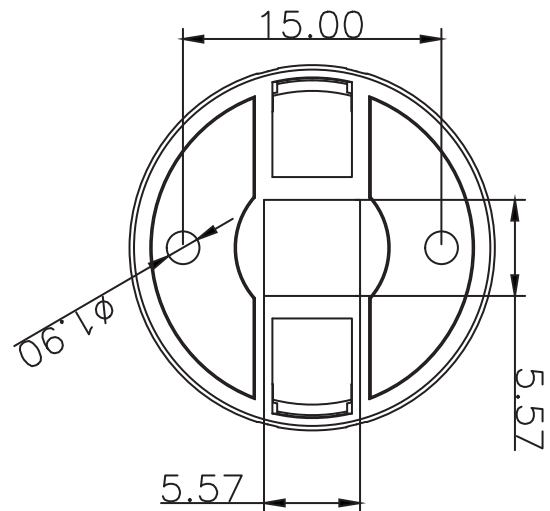
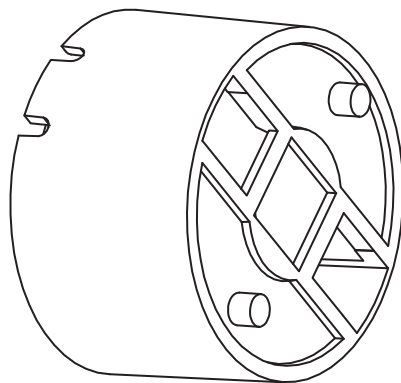
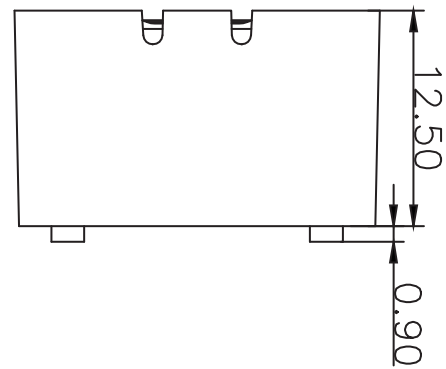
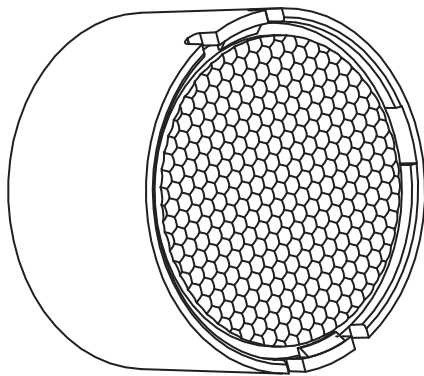
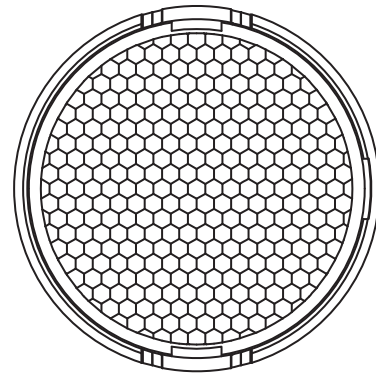
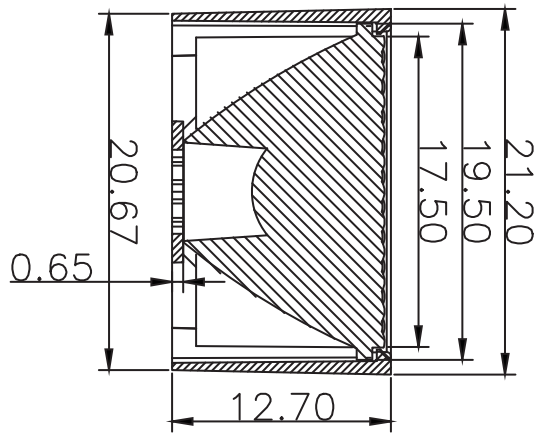


I LENS28-S20-40-H-03M2-B

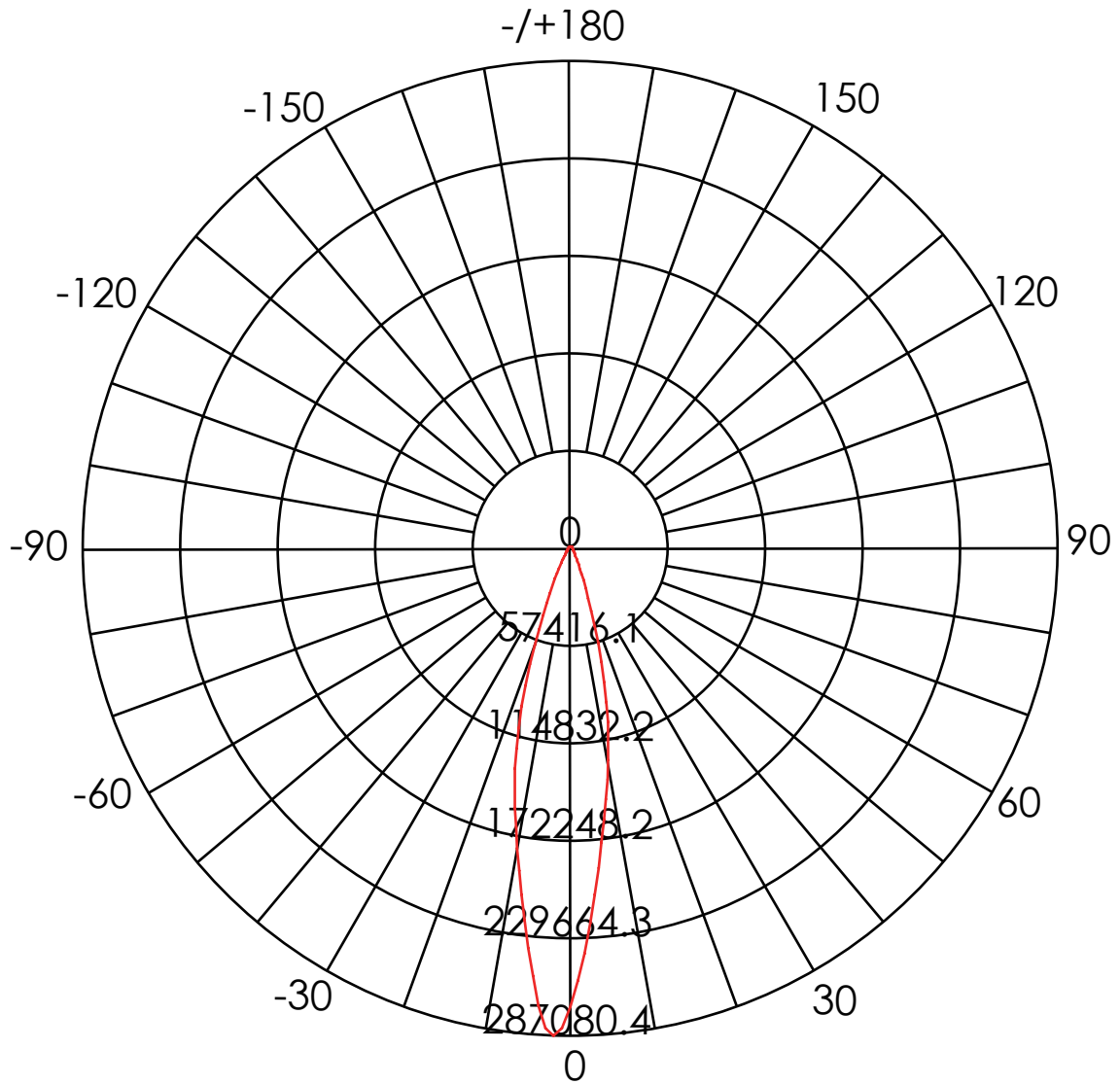
- Product Type: Spot Light Lens
- Product Material: PMMA
- Product Certification: ROHS
- Size: $\Phi 21.20 \times 13.40\text{mm}$
- LED: 2525、3030、3535、5050、Imitation Lumen
- Beam Angle(FWHM): 40°
- Applicaion: Outdoor lighting、Indoor lighting





DRAWING TITLE		ILENS28-S20-40-H-03M2-B		This drawing is the property of ILENSTECH Optoelectronics Co.,Ltd. It may not be reproduced, copied or communicated without a written agreement with ILENSTECH Optoelectronics Co.,Ltd		
GENERAL TOLERANCES (UNLESS STATED)		THIRD ANGLE PROJECTION				
LINEAR	ANGULAR	MATERIAL	PMMA	COLOUR	Clear	SCALE
X +/-0.25	X +/-1jā	UNIT	MM	 Shenzhen ILENSTECH Optoelectronics Co.,Ltd		
X.X +/-0.20	X.X +/-0.5jā	SIZE	A4			
X.XX +/-0.10		SHEET	1/1			

Light distribution curve



CO-C180

Unit : cd

Attention

- Storage: Do not store in dusty place, or expose under corrosive environment.
- Contact: Do not touch the lens surface with bare-hand. Please use gloves to touch the lenses.
- Cleaning: Clean lenses only if necessary. Use only mild soap, water and soft cloth. Do not use any commercial cleaning solvents
- The temperature of the lens in the working environment is controlled at $-40^{\circ}\text{C} \sim +80^{\circ}\text{C}$.
- Storage environment requirements, temperature: $0^{\circ}\text{C} \sim 40^{\circ}\text{C}$ humidity: 30%~95%.
- Before use the lens, don't open the package to avoid dust pollution.
- Avoid direct sunlight to avoid Aging, discoloration, fission and other adverse effects.
- Do not use acidic or alkaline solvents to touch the product to avoid chemical reactions.