

Female Header Series

KLS1-219X FEMALE HEADER 2.54mm With polarizing bump

Electrical Characteristics:

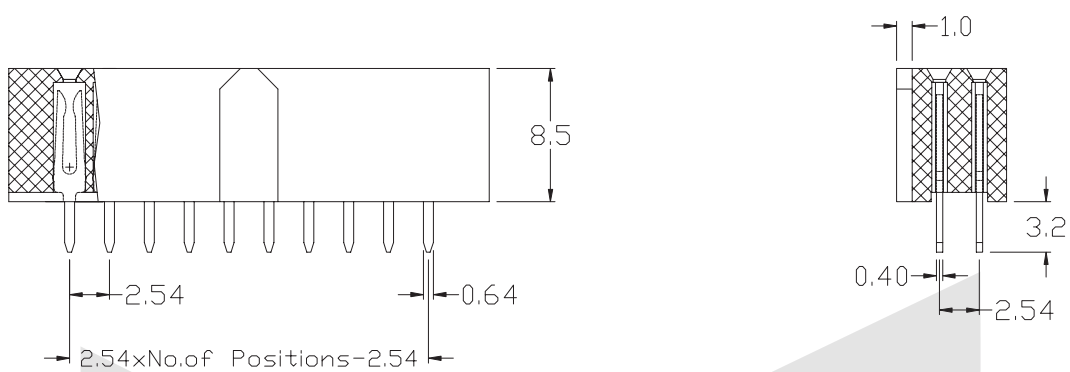
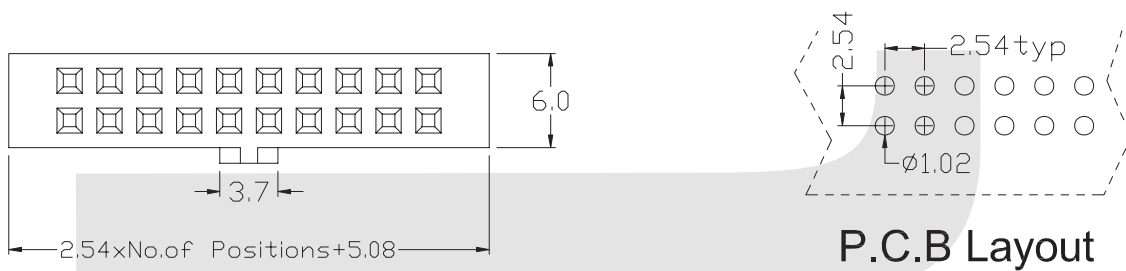
Current Rating: 1 AMP
 Insulator Resistance: 5000MΩmin. at DC 500V
 Contact Resistance: 20mΩmax. at DC 100mA
 Operating Temperature: -45°C~+105°C

Material:

Housing: 30% Glass filled PBT UL94V-0
 Contacts: Brass or Phosphor Bronze
 Plating: Selective gold plated: gold plated on mating area and nickel plated on wire cutting area
 Gold plated: 0.8u" over 50u" nickel

Features:

- * Available in straight and right angle.
- * Turning fork contacts offer lower cost for competitive market.



ORDER INFORMATION

Product No.: **KLS1-219X-2-XX-S**

Pos. No. _____ Tail Style: S=Straight Pin R=Right Pin
 Female Header 2.54mm With polarizing bump _____ Total pin number: XX=02-80Pin
 _____ 2=Double layer

All specification & dimensions are subject to change, please call your nearest KLS sales representative for update information

Female Header Series

KLS1-219X FEMALE HEADER 2.54mm With polarizing bump

Electrical Characteristics:

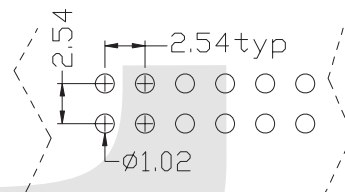
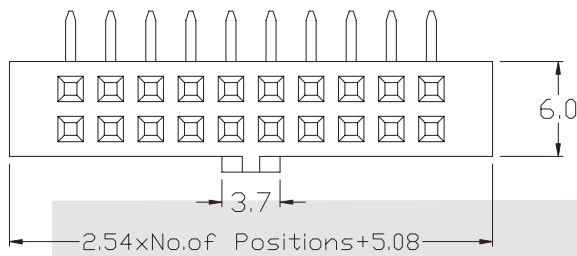
Current Rating: 1 AMP
 Insulator Resistance: 5000MΩmin. at DC 500V
 Contact Resistance: 20mΩmax. at DC 100mA
 Operating Temperature: -45°C~+105°C

Material:

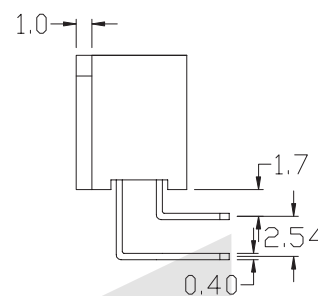
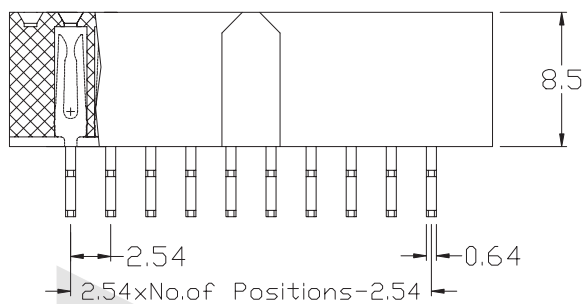
Housing: 30% Glass filled PBT UL94V-0
 Contacts: Brass or Phosphor Bronze
 Plating: Selective gold plated: gold plated on mating area and nickel plated on wire cutting area
 Gold plated: 0.8u" over 50u" nickel

Features:

- * Available in straight and right angle.
- * Turning fork contacts offer lower cost for competitive market.



P.C.B Layout



ORDER INFORMATION

Product No.: KLS1-219X-2-XX-R

Pos. No. _____ Tail Style: S=Straight Pin R=Right Pin
 Female Header 2.54mm With polarizing bump _____ Total pin number: XX=02-80Pin
 _____ 2=Double layer