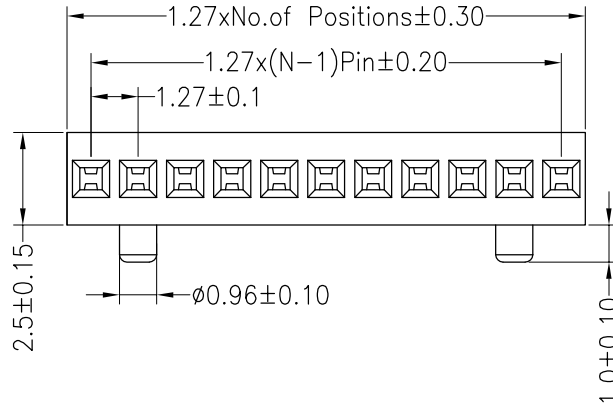


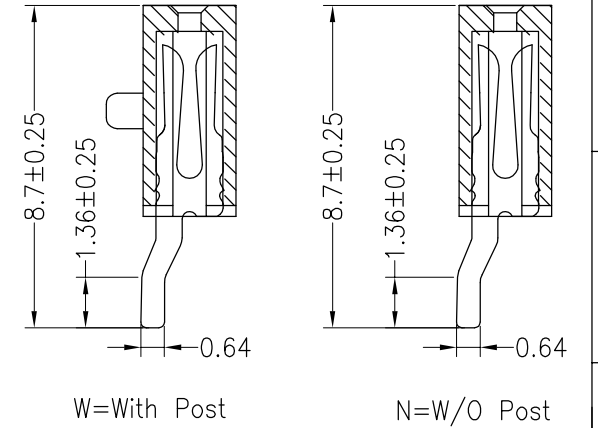
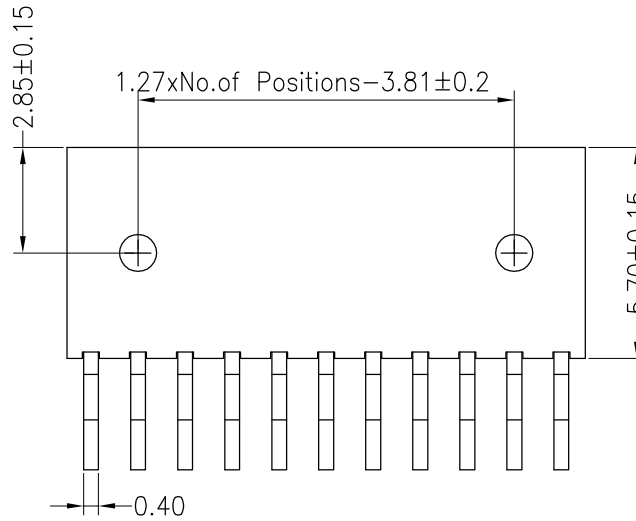
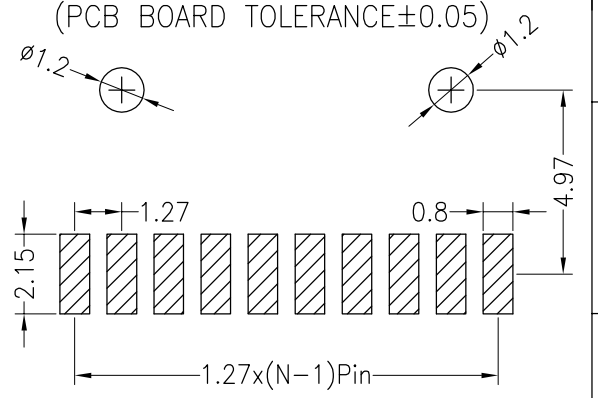
SPECIFICATIONS

Rated Current:1.0AMP
 Contact Resistance:20mΩ Max
 Withstand Voltage:500V AC/DC
 Insulation Resistance:1000MΩ Min
 Operation Temperature:-40°C to +105°C

Contact Material:Phosphor Bronze
 Contact Plating:Au Over Ni
 Insulator Material:Polyester(UL94V-0)
 Standard: LCP
 Max.Processing Temp: 230°C for 30-60 seconds
 (260°C for 10 seconds)



Recommended P.C.B Layout(Top Side)
 (PCB BOARD TOLERANCE±0.05)



				OPERATION		DRAW	YiYuSheng	17.03.18	SCALE	FIT	KLS ELECTRONIC CO., LTD		
				X.X	±0.30				UNIT	mm			
				CHECK		APPROVE			SIZE	A4	PART NO.	L-KLS1-208CA-5.7-1-11-RT3-R	
				X.XX	±0.20				SHEET	1/1	TITLE:	1.27PF 1xNPin H5.7 Y-Type 90° SMT	
				X.XXX	±0.10	DIM	TOL		PROJ.	⌀			
				Angle	±3°								
REV	DATE	MODIFICATION DESCRIPTION	CHANGE										
1													