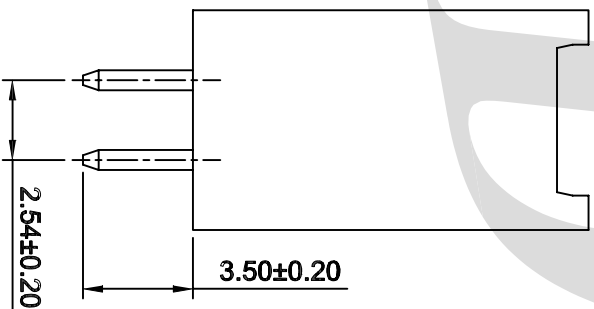
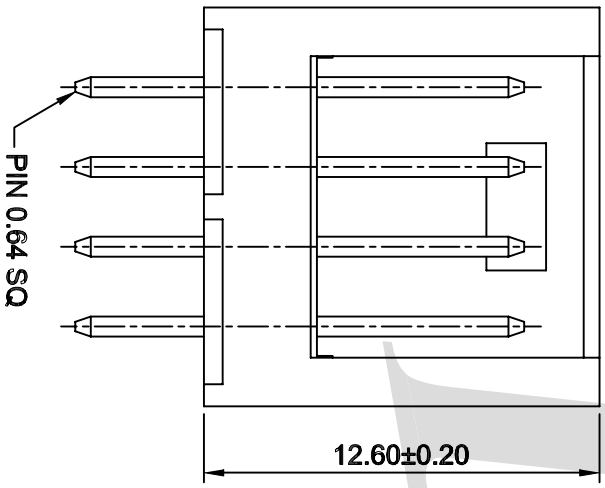
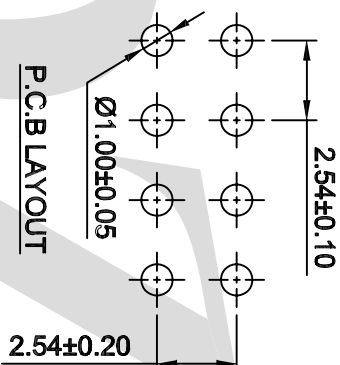
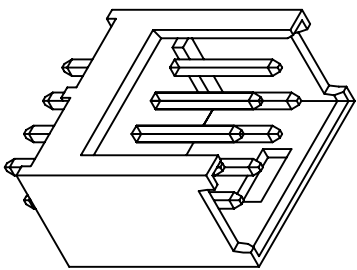
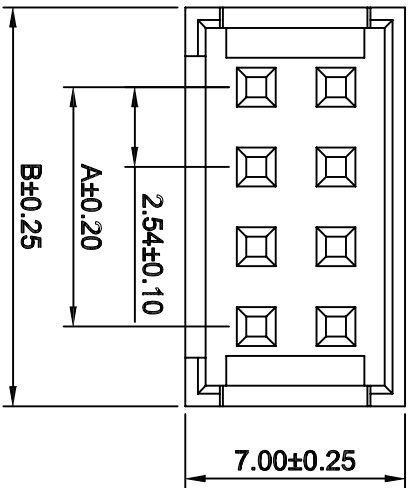


SPECIFICATIONS:
 Current Rating: 3A AC, DC
 Voltage Rating: 250V AC, DC
 Temperature Range: -40°C ~ +105°C
 Contact Resistance: 20mΩ Max
 Insulation Resistance: 1000MΩ Min
 Withstanding Voltage: 1000V AC/minute
 Material: PBT UL94V-0(Black)
 Ordering Information & Dimensions

PART NO.	Dimensions			PART NO.	Dimensions		
	A	B	C		A	B	C
A2543HF-2*2P	2.54	5.52	7.12	A2543HF-2*17P	40.64	43.62	45.22
A2543HF-2*3P	5.08	8.06	9.66	A2543HF-2*18P	43.18	46.16	47.76
A2543HF-2*4P	7.62	10.60	12.20	A2543HF-2*19P	45.72	48.70	50.30
A2543HF-2*5P	10.16	13.14	14.74	A2543HF-2*20P	48.26	51.24	52.84
A2543HF-2*6P	12.70	15.68	17.28	A2543HF-2*21P	50.80	53.78	55.38
A2543HF-2*7P	15.24	18.22	19.82	A2543HF-2*22P	53.34	56.32	57.92
A2543HF-2*8P	17.78	20.76	22.36	A2543HF-2*23P	55.88	58.86	60.46
A2543HF-2*9P	20.32	23.30	24.90	A2543HF-2*24P	58.42	61.40	63.00
A2543HF-2*10P	22.86	25.84	27.44	A2543HF-2*25P	60.96	63.94	65.54
A2543HF-2*11P	25.40	28.38	29.98	A2543HF-2*26P	63.50	66.48	68.08
A2543HF-2*12P	27.94	30.92	32.52	A2543HF-2*27P	66.04	69.02	70.62
A2543HF-2*13P	30.48	33.46	35.06	A2543HF-2*28P	68.58	71.56	73.16
A2543HF-2*14P	33.02	36.00	37.60	A2543HF-2*29P	71.12	74.10	75.70
A2543HF-2*15P	35.56	38.54	40.14	A2543HF-2*30P	73.66	76.64	78.24
A2543HF-2*16P	38.10	41.08	42.68	A2543HF-2*31P	76.20	79.18	80.78
				A2543HF-2*32P	78.74	81.72	83.32

日期 DATE	旧版本 OLD REV	新版本 NEW REV	变更内容 DESCRIPTION	审核 CHK	核准 APPD	角法 PROJECT	一般公差 GENERAL TOLERANCE	IDZDY DongGuan LDZDY Electronics CO.,LTD. 东莞市蓝雁电子有限公司	核准 APPD	审核 CHK	绘图 DR	日期 DATA	料号 PART NO	品名 TITLE	单位 UNIT	比例 SCALE	图号 NUMBER	版次 REV
2011/06/30	A	B	修改图框格式			.XXX ±0.1	.XX ±0.2		Rodney	兰雄	刘小菊	2010/11/10	A2543HF-2XNP	2.54mm Crimp Style connectors	MM	1/1	LDZY-8167	B



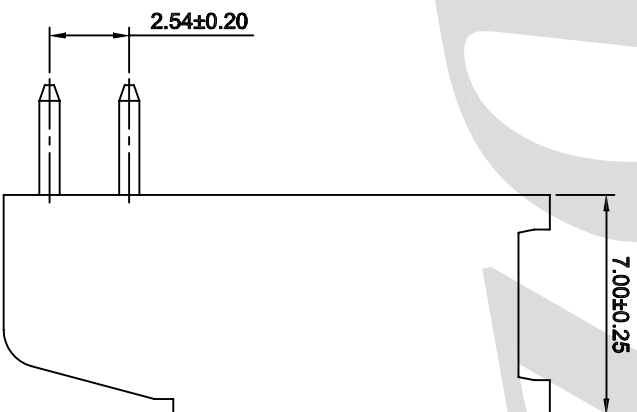
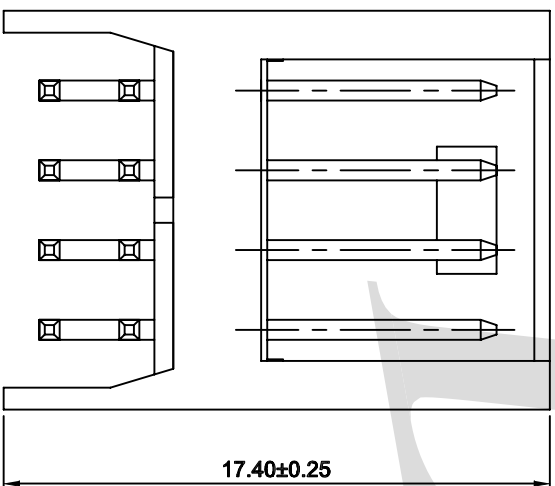
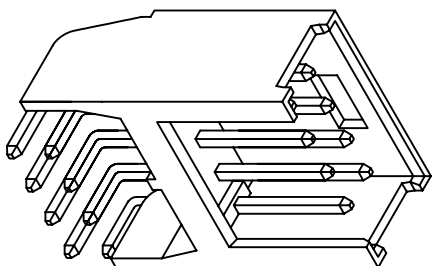
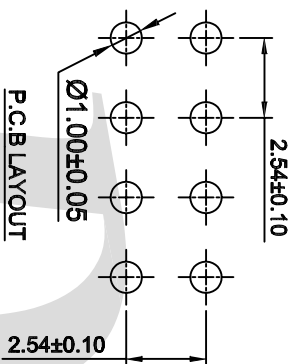
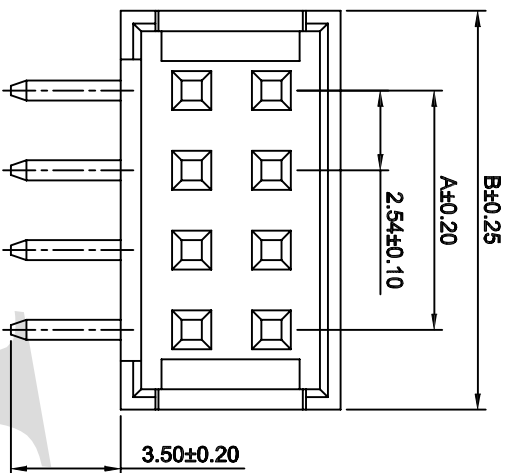
SPECIFICATIONS:
 Current Rating: 3A AC,DC
 Voltage Rating: 250V AC,DC
 Temperature Range: 40°C ~ +105°C
 Contact Resistance: 20mΩ Max
 Insulation Resistance: 1000MΩ Min
 Withstanding Voltage: 1000V AC/minute
 Pin Material: Brass/Tin over Nickel
 Material: PBT, UL94V-0(Black)
 Ordering Information & Dimensions

PART NO.	Dimensions	
	A	B
A2543WV-2*2P	2.54	7.62
A2543WV-2*3P	5.08	10.16
A2543WV-2*4P	7.62	12.70
A2543WV-2*5P	10.16	15.24
A2543WV-2*6P	12.70	17.78
A2543WV-2*7P	15.24	20.32
A2543WV-2*8P	17.78	22.86
A2543WV-2*9P	20.32	25.40
A2543WV-2*10P	22.86	27.94
A2543WV-2*11P	25.40	30.48
A2543WV-2*12P	27.94	33.02
A2543WV-2*13P	30.48	35.56
A2543WV-2*14P	33.02	38.10
A2543WV-2*15P	35.56	40.64
A2543WV-2*16P	38.10	43.18

PART NO.	Dimensions	
	A	B
A2543WV-2*17P	40.64	45.72
A2543WV-2*18P	43.18	48.62
A2543WV-2*19P	45.72	50.80
A2543WV-2*20P	48.26	53.34
A2543WV-2*21P	50.80	55.88
A2543WV-2*22P	53.34	58.42
A2543WV-2*23P	55.88	60.96
A2543WV-2*24P	58.42	63.50
A2543WV-2*25P	60.96	66.04
A2543WV-2*26P	63.50	68.58
A2543WV-2*27P	66.04	71.12
A2543WV-2*28P	68.58	73.66
A2543WV-2*29P	71.12	76.20
A2543WV-2*30P	73.66	78.74
A2543WV-2*31P	76.20	81.28
A2543WV-2*32P	78.74	83.82

一般公差
 GENERAL TOLERANCE
 .X ±0.3
 .XX ±0.2
 .XXX ±0.1

日期 DATE	旧版次 OLD REV	新版次 NEW REV	变更内容 DESCRIPTION	审核 CHK	核准 APPD	角法 PROJECT	核准 APPD	审核 CHK	绘图 DR	日期 DATA	单位 UNIT	比例 SCALE	图号 NUMBER	版次 REV
2011/06/30	A	B	修改图框格式			有法	Rodney	兰雄	刘小菊	2010/11/10	MM	1/1	LDZY-8167	B
料号 PART NO A2543WV-2XNP														
品名 TITLE 2.54mm Crimp Style connectors														
东莞市蓝雁电子有限公司 DongGuan LDZY Electronics CO.,LTD.														

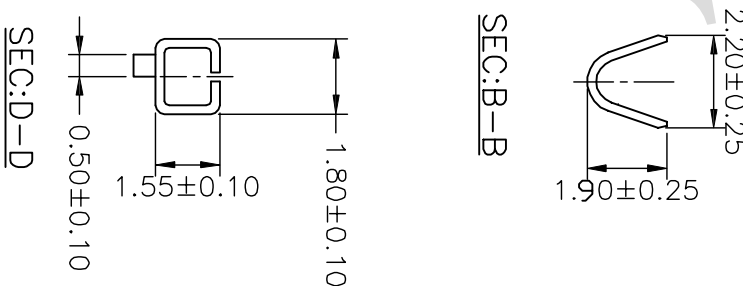
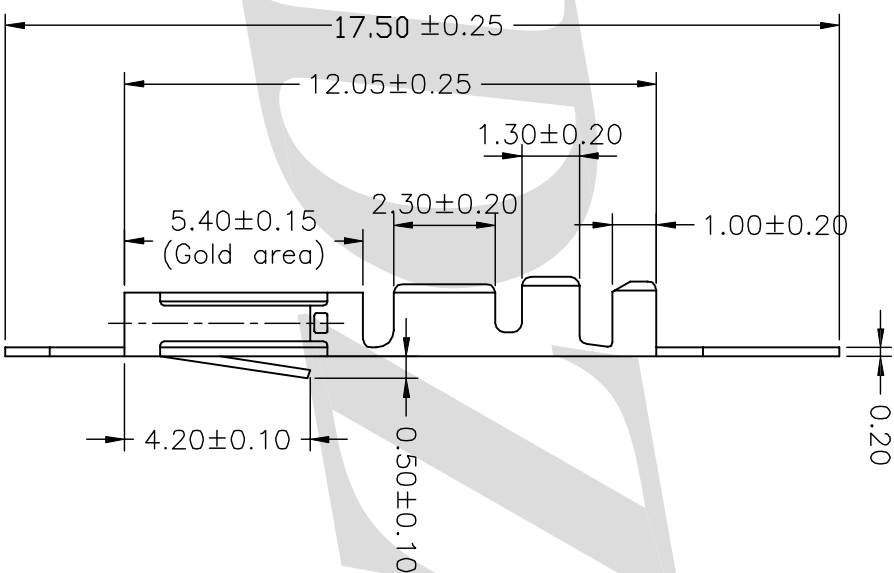
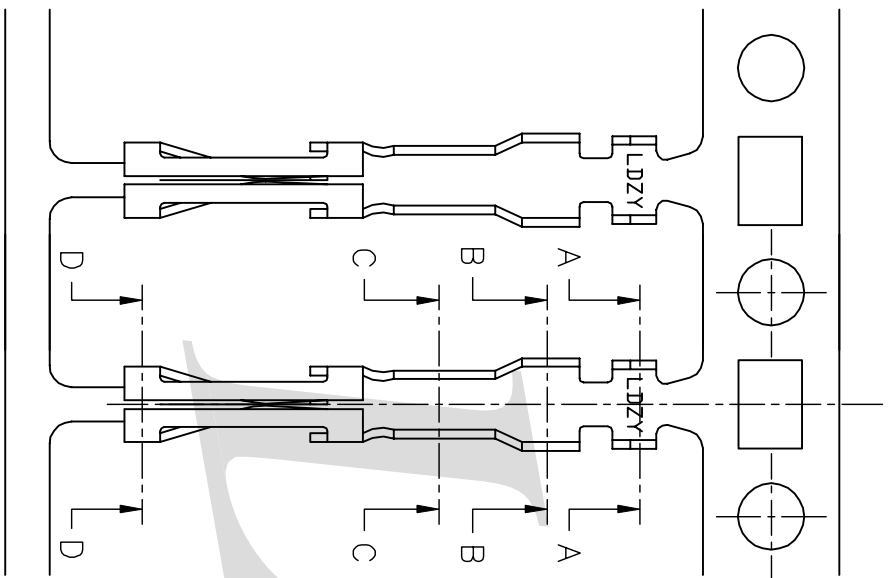


SPECIFICATIONS:
 Current Rating: 3A AC,DC
 Voltage Rating: 250V AC,DC
 Temperature Range: -40°C ~ +105°C
 Contact Resistance: 20mΩ Max
 Insulation Resistance: 1000MΩ Min
 Withstanding Voltage: 1000V AC/minute
 Pin Material: Brass/Tin over Nickel
 Material: PBT, UL94V-0(Black)

Ordering Information & Dimensions

PART NO.	Dimensions		PART NO.	Dimensions	
	A	B		A	B
A2543WR-2*2P	2.54	7.62	A2543WR-2*17P	40.64	45.72
A2543WR-2*3P	5.08	10.16	A2543WR-2*18P	43.18	48.62
A2543WR-2*4P	7.62	12.70	A2543WR-2*19P	45.72	50.80
A2543WR-2*5P	10.16	15.24	A2543WR-2*20P	48.26	53.34
A2543WR-2*6P	12.70	17.78	A2543WR-2*21P	50.80	55.88
A2543WR-2*7P	15.24	20.32	A2543WR-2*22P	53.34	58.42
A2543WR-2*8P	17.78	22.86	A2543WR-2*23P	55.88	60.96
A2543WR-2*9P	20.32	25.40	A2543WR-2*24P	58.42	63.50
A2543WR-2*10P	22.86	27.94	A2543WR-2*25P	60.96	66.04
A2543WR-2*11P	25.40	30.48	A2543WR-2*26P	63.50	68.58
A2543WR-2*12P	27.94	33.02	A2543WR-2*27P	66.04	71.12
A2543WR-2*13P	30.48	35.56	A2543WR-2*28P	68.58	73.66
A2543WR-2*14P	33.02	38.10	A2543WR-2*29P	71.12	76.20
A2543WR-2*15P	35.56	40.64	A2543WR-2*30P	73.66	78.74
A2543WR-2*16P	38.10	43.18	A2543WR-2*31P	76.20	81.28
			A2543WR-2*32P	78.74	83.82

料号 PART NO		A2543WR-2XNP	
品名 TITLE		2.54mm Crimp Style connectors	
单位 UNIT	比例 SCALE	图号 NUMBER	版次 REV
MM	1/1	LDZY-8167	B
日期 DATE	旧版次 OLD REV	新版次 NEW REV	变更内容 DESCRIPTION
2011/06/30	A	B	修改图框格式
审核 CHK	核准 APPD	角法 PROJECT	一般公差 GENERAL TOLERANCE
兰雄	刘小菊	有法	.X ±0.3 .XX ±0.2 .XXX ±0.1



Ordering Information & Specifications

Part No	Wire Range	Insulation O.D.	Material	Finish	Qty/reel
A2543TP-TPE	AWG#22-#30	1.55mm(max)	Phosphor Bronze	Tin-plated	15,000pcs

Note:E-Stamping before Tin-plated

日期 DATE	旧版次 OLD REV	新版次 NEW REV	变更内容 DESCRIPTION	审核 CHK	核准 APPD	角法 PROJECT	料号 PART NO	品名 TITLE	单位 UNIT	比例 SCALE	图号 NUMBER	版次 REV
2011/06/30	A	B	修改图框格式			一般公差 X ±0.3 .XX ±0.2 .XXX ±0.1	LDZY® 东莞市蓝雁电子有限公司 DongGuan LDZY Electronics CO.,LTD.	2.54mm Crimp Style connectors	MM	1/1	LDZY-8803	B
						核准 APPD	Rodney					
						审核 CHK	兰雄					
						绘图 DR	刘小菊					
						日期 DATA	2010/11/10					