



Box Headers * Box Header with Latch

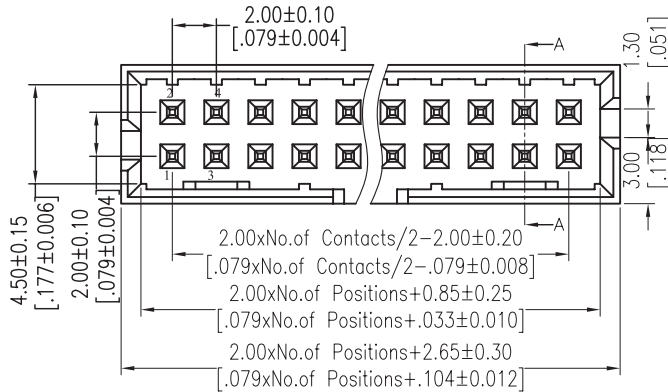
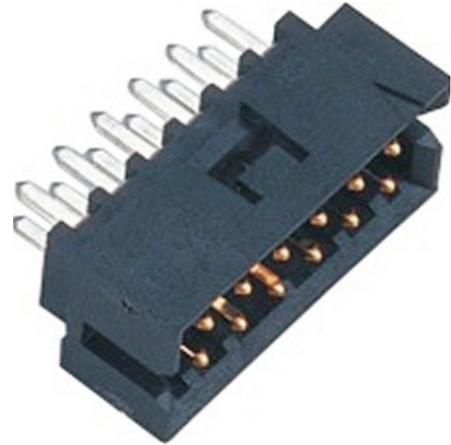
KLS1-202H 2.00mm BOX Header 180° H=6.4mm

Material:

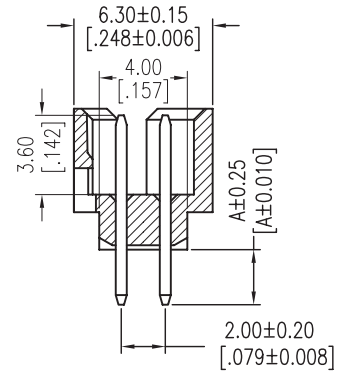
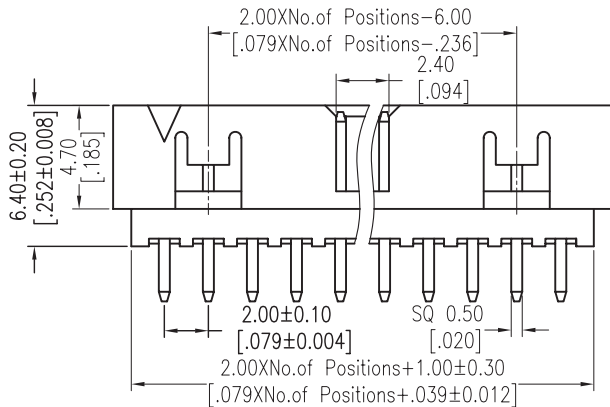
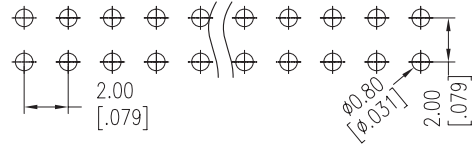
Contact Material: Brass
Contact plating: Au Or Sn over Ni
Insulator Material: PA9T+30%GF UL94V-0

Electrical Characteristics:

Current Rating: 2.0 AMP
Withstand Voltage: 500V AC/DC
Insulator Resistance: 1000M Ohm min
Contact Resistance: 20m Ohm max
Operating Temperature: -40°C~+105°C



Recommended P.C.B Layout (Top Side)
(PCB BOARD TOLERANCE ± 0.05)



ORDER INFORMATION

Product NO.: KLS1-202H-XX-S-B-D

