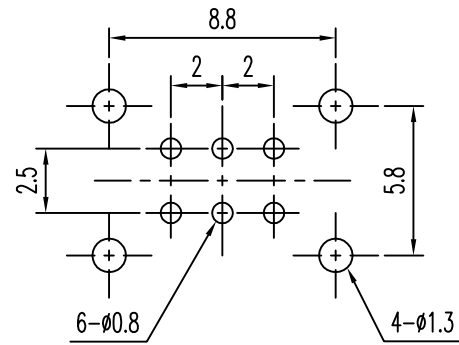
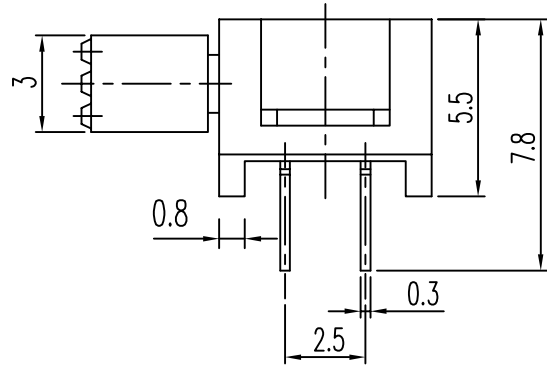
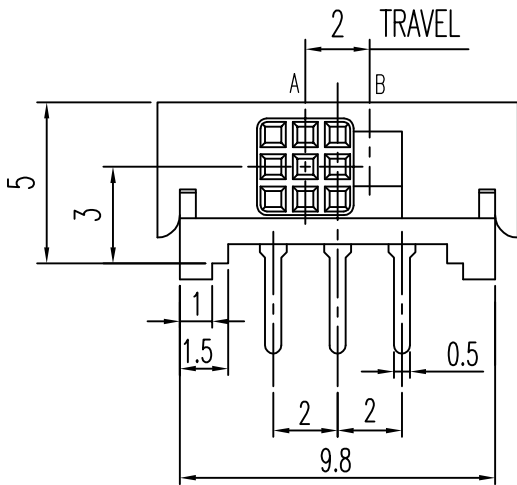


SCHEMATIC



PIERCING PLAN

6	弹片 SPRING PLATED	SUS	1	NATURAL
5	接触片 CONTACT	PBS	2	Ag CLAD
4	端子 TERMINAL	BRASS	6	Au PLATED
3	底板 BASE	PA	1	BLACK
2	胶壳 HOUSING	PA	1	BLACK
1	胶柄 KNOB	PA	1	BLACK
序NO.	零件 PART	材料 MATERIAL	数量 QTY	备注 REMARKS

标号 REV 内容 DESCRIPTION 签名 SIGN. 日期 DATE

TOLERANCES UNLESS OTHERWISE SPEC.		TITLE	SLIDE SWITCH	ITEM NO	L-KLS7-SK-22D37-G6		
UNDER 1	± 0.10	DRAWN		VERSION	A01	PAGE 1	OF 1
1 - 10	± 0.30	REVIEWED		SCALE		UNIT	mm
OVER 10	± 0.50	APPROVED		PROJECTION			

KLS ELECTRONIC CO., LTD