

FEATURES

- ※ Sealed IP67.
- ※ Subminiature switch conforming to UL.
- ※ PCB terminal available.
- ※ Highly reliable with long operation life.

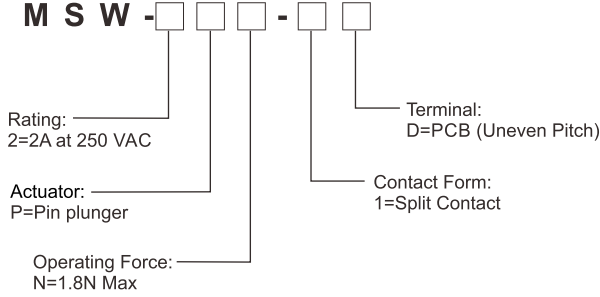
APPLICATION

- ※ Kitchen appliances
- ※ Vacuum cleaner, Printers
- ※ White goods
- ※ Intelligent lock and low-voltage apparatus

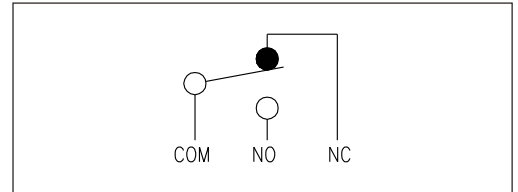
SPECIFICATION

Contact Rating	2A at 250V AC
Mechanical Durability	1,000,000 cycles min. (60 Operations/min)
Electrical Durability	50,000 cycles min. (20 Operations/min)
Contact Resistance	50mΩ max.
Insulation Resistance	100MΩ min. (at 500V VDC)
Dielectric Strength	Between terminals of the same polarity 1,000 VAC, 50/60 Hz for 1min
	Between current-carrying metal parts and ground 1,500 VAC, 50/60 Hz for 1min
	Between each terminal and non-current-carrying metal part 1,500 VAC, 50/60 Hz for 1min
Vibration Resistance	Malfunction : 10 ~ 55 Hz, 1.5mm double amplitude
Shock Resistance	Destruction : 1,000 m/s ² max.
	Malfunction : 300 m/s ² max.
Operating Speed	0.1~500mm/s
Operating Frequency	Machanical : 120 operations/min max.
	Electrical : 20 operations/min max.
Operating Temp.	-25°C~+80°C (at humidity of 60% max.) (with no icing or condensation)

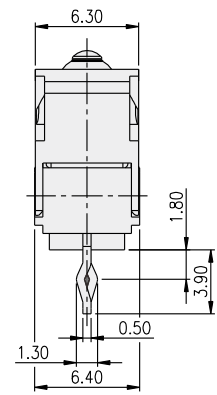
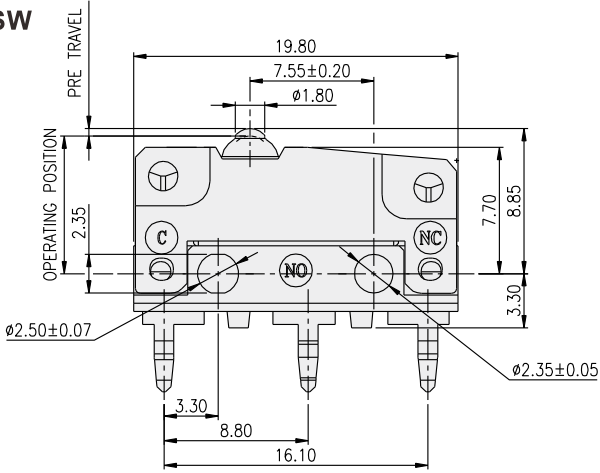
HOW TO ORDER



CIRCUIT



MSW



OPERATING CHARACTERISTICS

ITEM	SPEC.
OPERATING FORCE	1.8N MAX.
RELEASE FORCE	0.2N MIN.
OVERTRAVEL	0.40mm MIN.
MOVEMENT DIFFERENTIAL	0.15mm MAX.
OPERATING POSITION	8.40±0.30mm
PRE TRAVEL	0.60mm MAX.