

PCB Connector Series

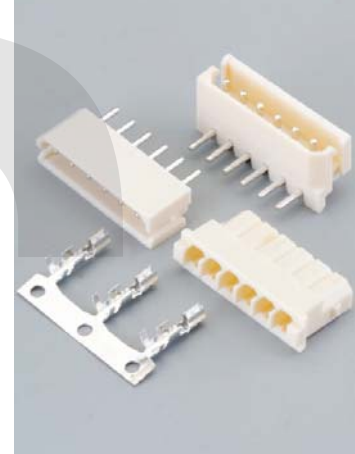
KLS1-XL4-2.50mm Pitch=2.50mm TYPE

Electrical Specification:

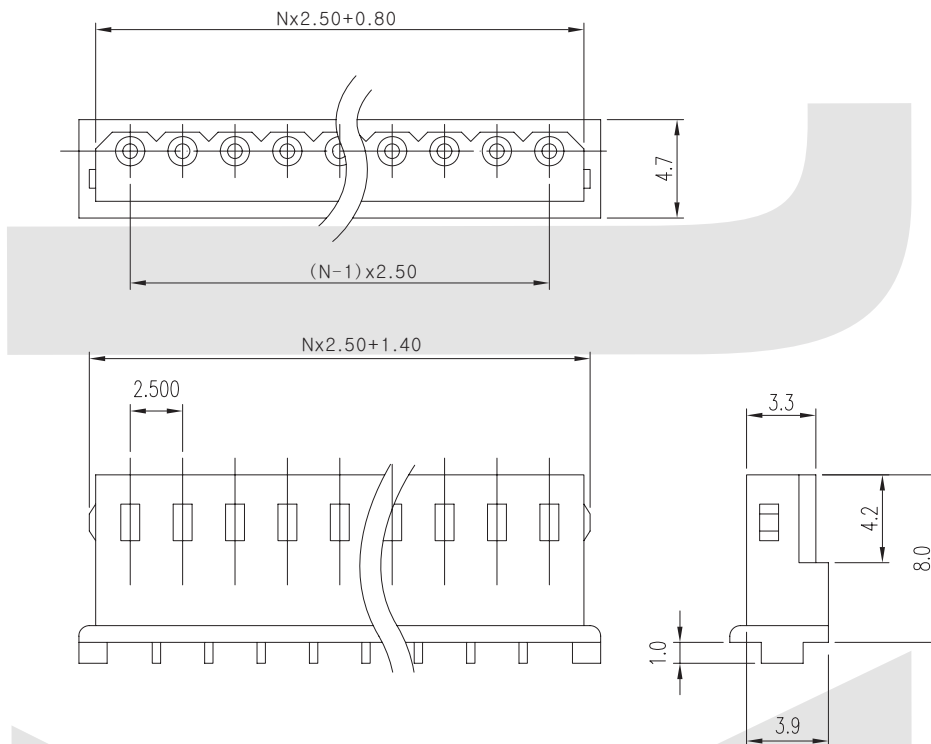
- Rated Voltage: 250V AV.DC
- Rated Current: 3A
- Contact Resistance: 0.02Ω max
- Insulation Resistance: 1000MΩ min
- Withstand voltage: 1000V AC/min
- Temperature range for usage : -25°C~+85°C
- P.C board thickness : 0.8~1.6mm

Material:

- Housing: PA66 (PA66) UL94V-0
- Contacts: Phosphor Bronze
- Plating: Tin 50u" over 100u" nickel
- Wire range : AWG#30~#22



Housing



ORDER INFORMATION

Product NO.: KLS1-XL4-2.50-XX-H

Series No. _____ Type: H=Housing T=Terminal
 Pitch 2.50=2.50mm _____ S=Straight Male pin R=Right Male pin
 PIN Number:2~20pin

PCB Connector Series

KLS1-XL4-2.50mm Pitch=2.50mm TYPE

Electrical Specification:

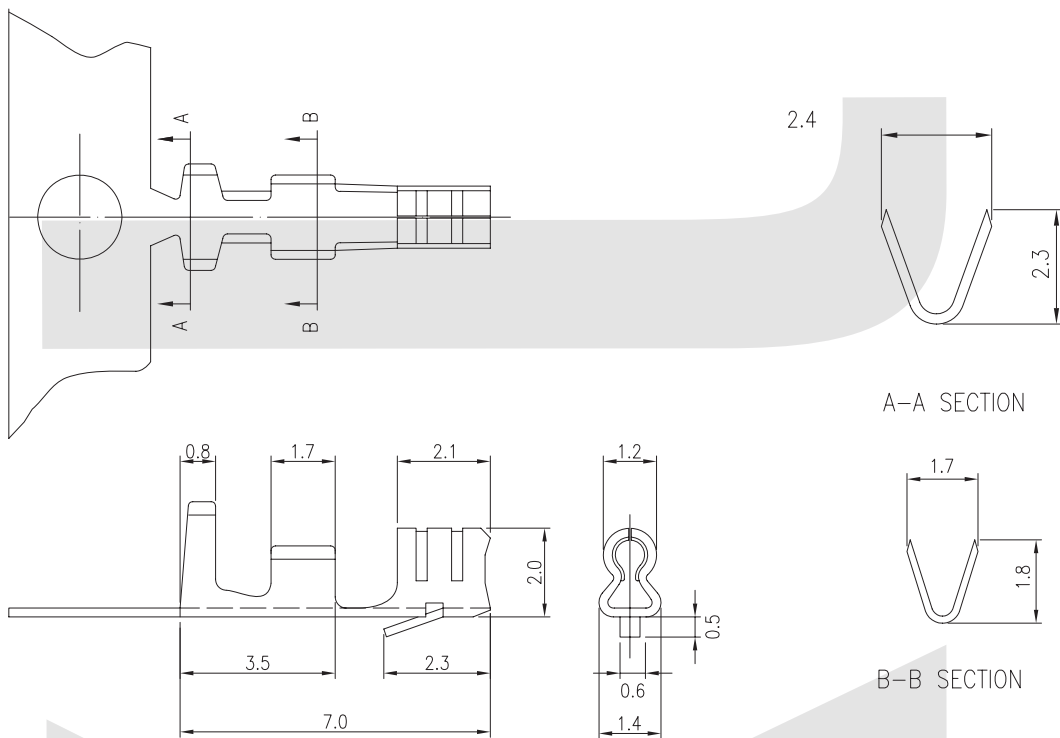
- Rated Voltage: 250V AV.DC
- Rated Current: 3A
- Contact Resistance: 0.02Ω max
- Insulation Resistance: 1000MΩ min
- Withstand voltage: 1000V AC/min
- Temperature range for usage : -25°C~+85°C
- P.C board thickness : 0.8~1.6mm

Material:

- Contacts: Phosphor Bronze
- Plating: Tin 50u" over 100u" nickel
- Wire range : AWG#30~#22



Terminal



ORDER INFORMATION

Product NO.: KLS1-XL4-2.50-T

Series No. _____ Type: T=Terminal
Pitch 2.50=2.50mm

PCB Connector Series

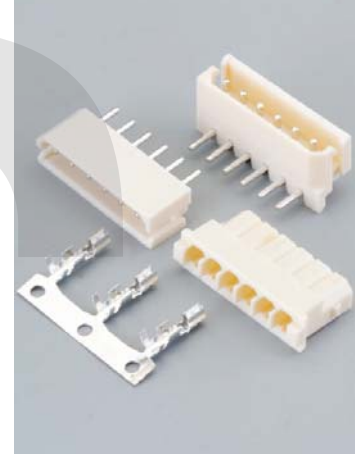
KLS1-XL4-2.50mm Pitch=2.50mm TYPE

Electrical Specification:

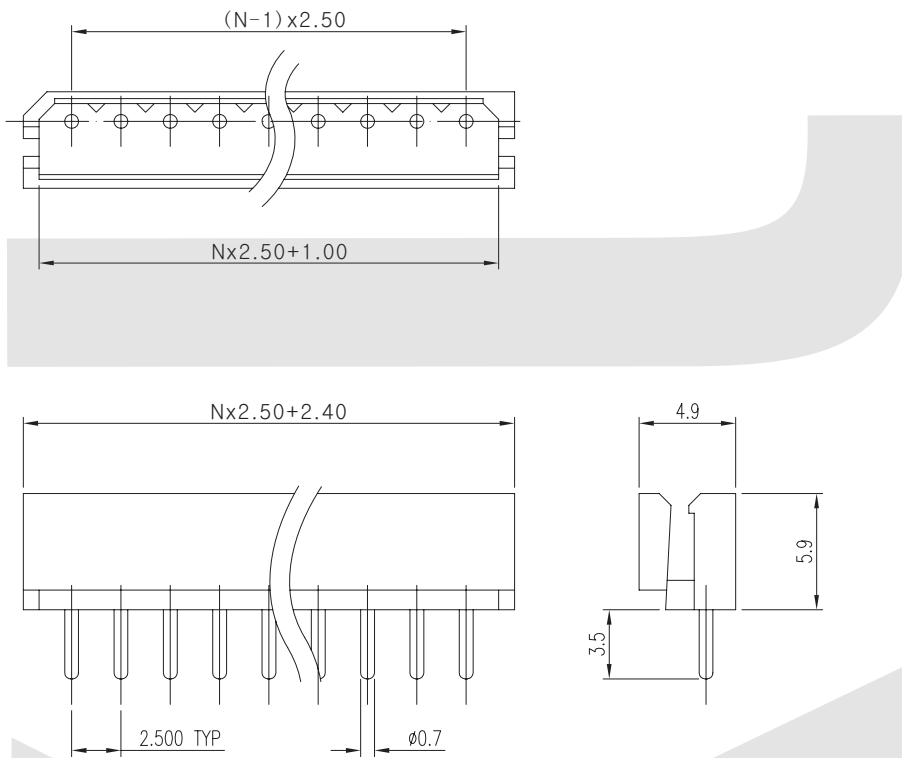
- Rated Voltage: 250V AV.DC
- Rated Current: 3A
- Contact Resistance: 0.02Ω max
- Insulation Resistance: 1000MΩ min
- Withstand voltage: 1000V AC/min
- Temperature range for usage : -25°C~+85°C
- P.C board thickness : 0.8~1.6mm

Material:

- Housing: PA66 (PA66) UL94V-0
- Contacts: Brass
- Plating: Tin 50u" over 100u" nickel



Straight Male pin



ORDER INFORMATION

Product NO.: KLS1-XL4-2.50-XX-S

Series No. _____
Pitch 2.50=2.50mm

Type: H=Housing
S=Straight Male pin
PIN Number:2~20pin

T=Terminal
R=Right Male pin

PCB Connector Series

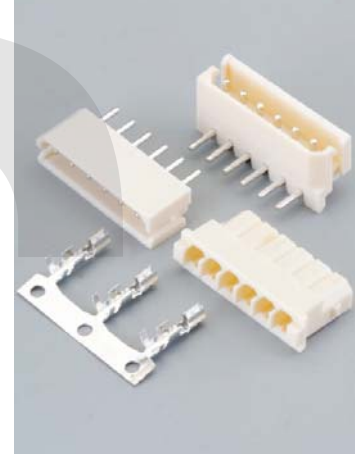
KLS1-XL4-2.50mm Pitch=2.50mm TYPE

Electrical Specification:

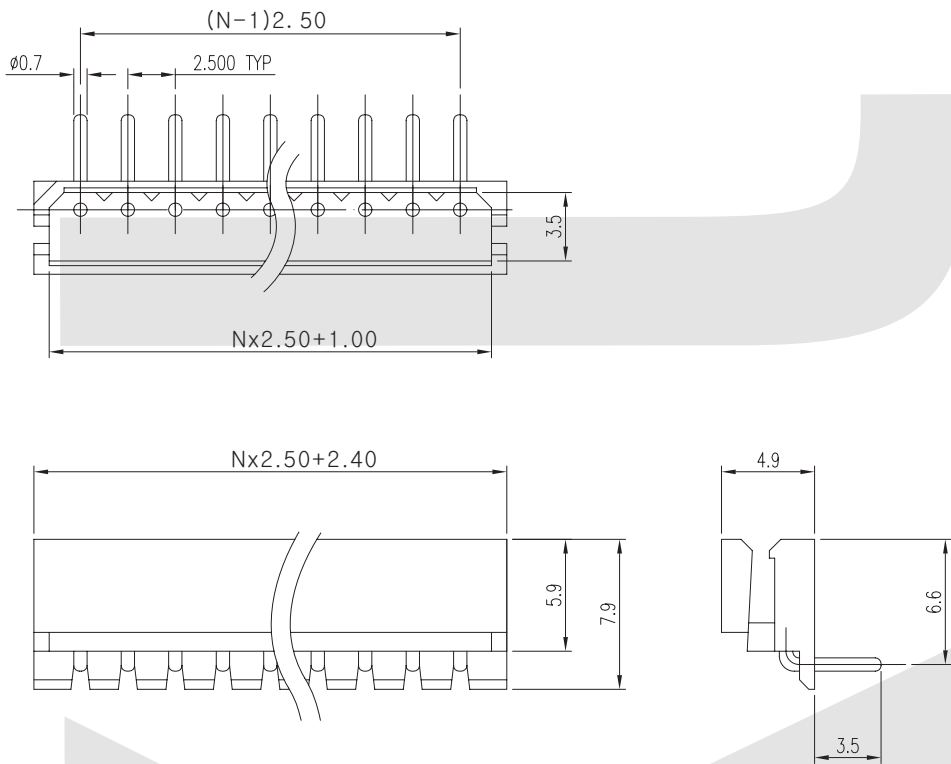
- Rated Voltage: 250V AV.DC
- Rated Current: 3A
- Contact Resistance: 0.02Ω max
- Insulation Resistance: 1000MΩ min
- Withstand voltage: 1000V AC/min
- Temperature range for usage : -25°C~+85°C
- P.C board thickness : 0.8~1.6mm

Material:

- Housing: PA66 (PA66) UL94V-0
- Contacts: Brass
- Plating: Tin 50u" over 100u" nickel



Right Male pin



ORDER INFORMATION

Product NO.: KLS1-XL4-2.50-XX-R

- Series No. _____
- Pitch 2.50=2.50mm _____
- Type: H=Housing
S=Straight Male pin
- PIN Number: 2~20pin _____
- T=Terminal
R=Right Male pin