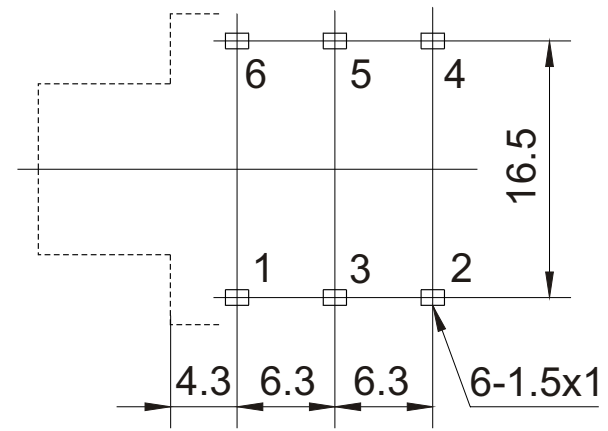
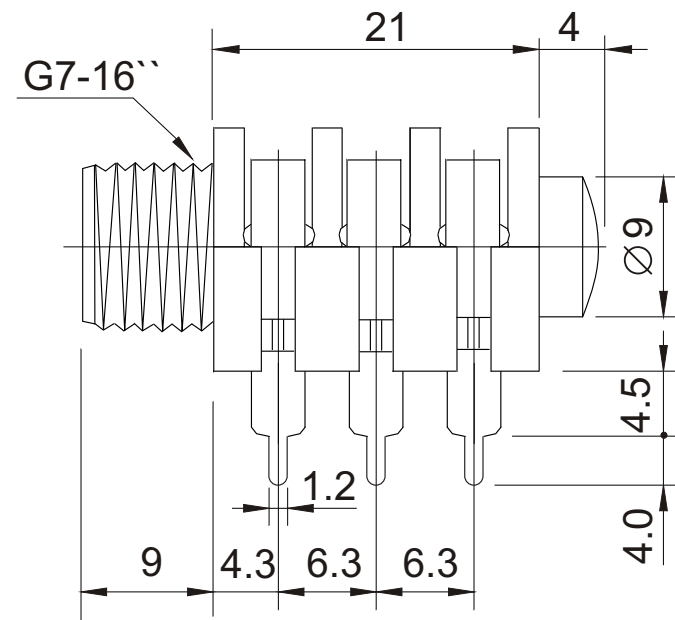
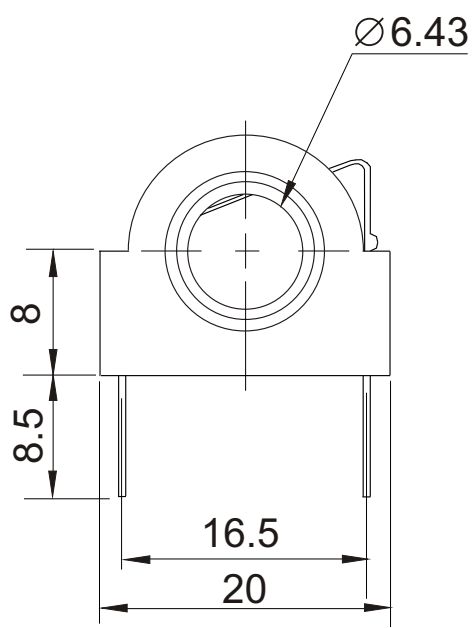
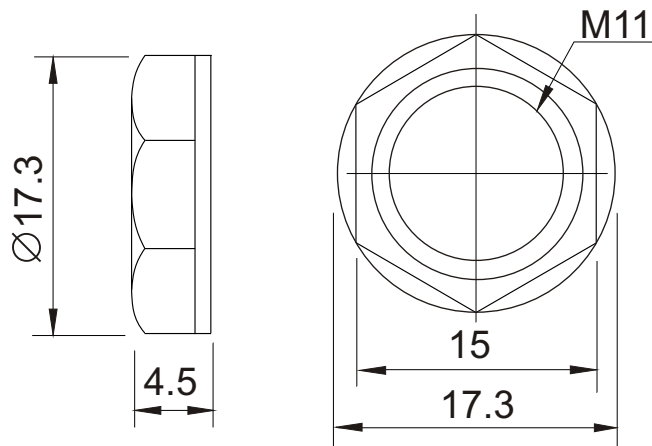


REVISIONS				
LTR	DESCRIPTION	DATE	REVISED	APPROVED

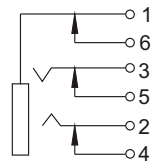


P.C.B LAND PATTERN

Specifications:
 Rating:DC50V 1A
 Force:5-35N
 Contact resistance:
 Less than30mΩ
 Insulation resistance:
 Over100MΩ on DC 500V measured.
 Voltage withstand:
 AC 500V For 1minute,



HEX NUT



SCHEMATIC

LTR	PART NAME	QTY	MATERIAL	FINISH	REMARK
8	HEX NUT	1	PA66 94HB	BLACK	
7	TERMINAL-6	1	BRASS Y=0.4	MB:Cu,Ag	No.6
6	TERMINAL-5	1	BRASS Y=0.4	MB:Cu,Ag	No.5
5	TERMINAL-4	1	BRASS Y=0.4	MB:Cu,Ag	No.4
4	RING TERMINAL	1	BRONZE Y=0.4	MB:Cu,Ag	No.3
3	TIP SPPING	1	BRONZE Y=0.4	MB:Cu,Ag	No.2
2	EARTH SPPING	1	BRONZE Y=0.4	MB:Cu,Ag	No.1
1	HOUSING	1	ABS/PA66 94HB	BLACK	

DSND	ZHANGGUOJING	DATE	2013-09-30	TOLERANCE	SCALE 2/1	NAME	PHONE JACK
CHKD		DATE		X.X ±0.3	UNIT:mm	CAT.NO.	
APPD		DATE		X.XX ±0.2			
				X.XXX ±0.1			
				ANGLE ±3.0°			

KLS ELECTRONIC CO., LTD

L-KLS1-TG6.3-006I