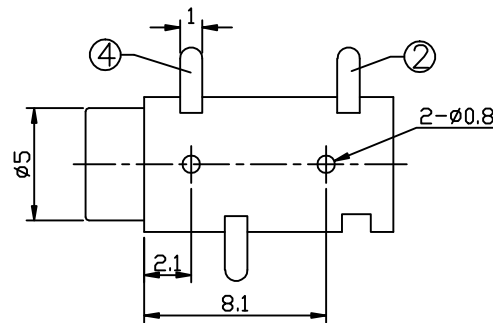
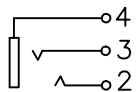


SCHMATIC



- SPECIFICATION**
1. Rating : DC 30V 0.5A;
  2. Contact resistance:  $\leq 0.03\Omega$ ;
  3. Insulation resistance:  $\geq 100M\Omega$  (DC250V);
  4. Withstand voltage: 500VAC ;
  5. Insertion and extraction force: 3-20N;
  6. life test: 5,000 cycles.

4	3#CONTACT	1	PHOSPHOR BRONZE	Ag-Plating
3	2#CONTACT	1	PHOSPHOR BRONZE	Ag-Plating
2	1#CONTACT	1	PHOSPHOR BRONZE	Ag-Plating
1	HOUSING	1	PBT/PA66	
NO.	DESCRIPTION	QTY	MATERIAL	PLATING
UNIT: MM		TYPE:		MODEL NO:
		PHONE JACK		L-KLS1-SPJ3.5-015
		PAPER NO:		PAGE 1 OF 1
		TOLERANCE		SCALE
		$\pm 0.15$		$\pm 1.5'$
		3:1		1
DESIGNER		KLS ELECTRONIC CO., LTD		
BY CHECK				
BY APPROVED				