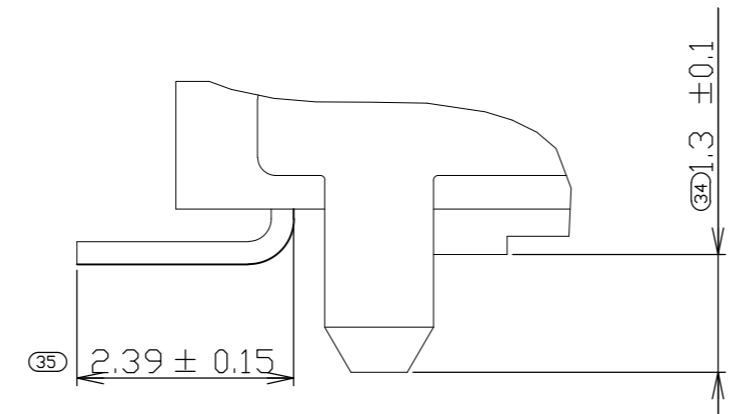
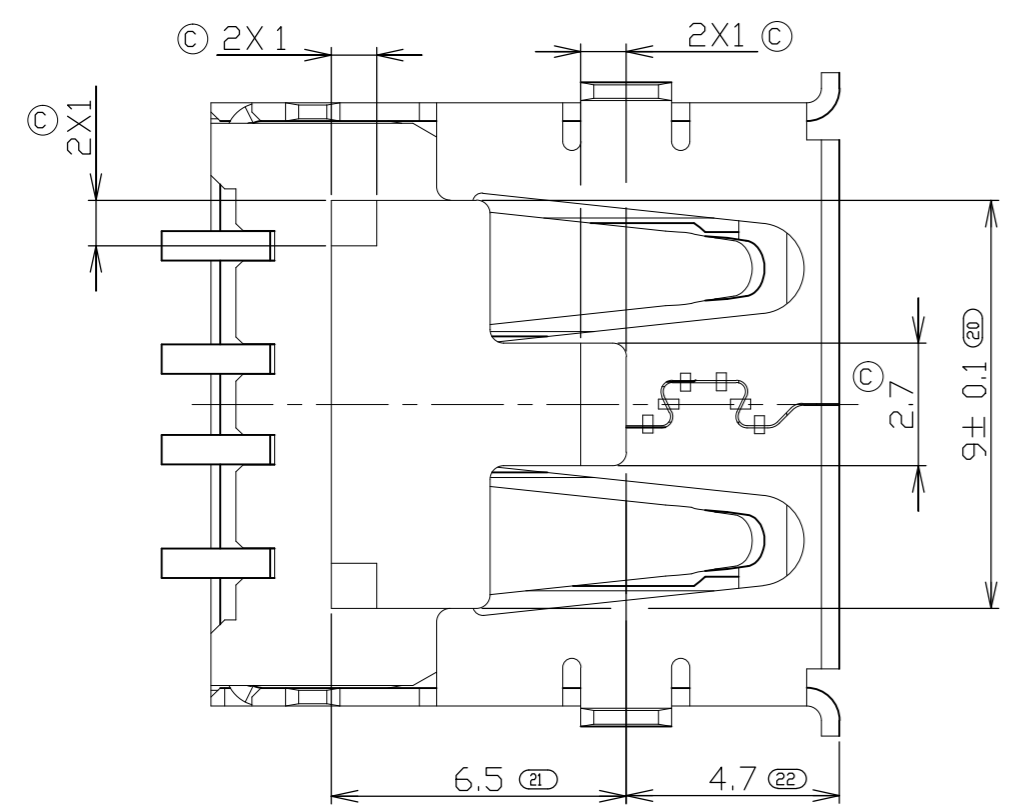
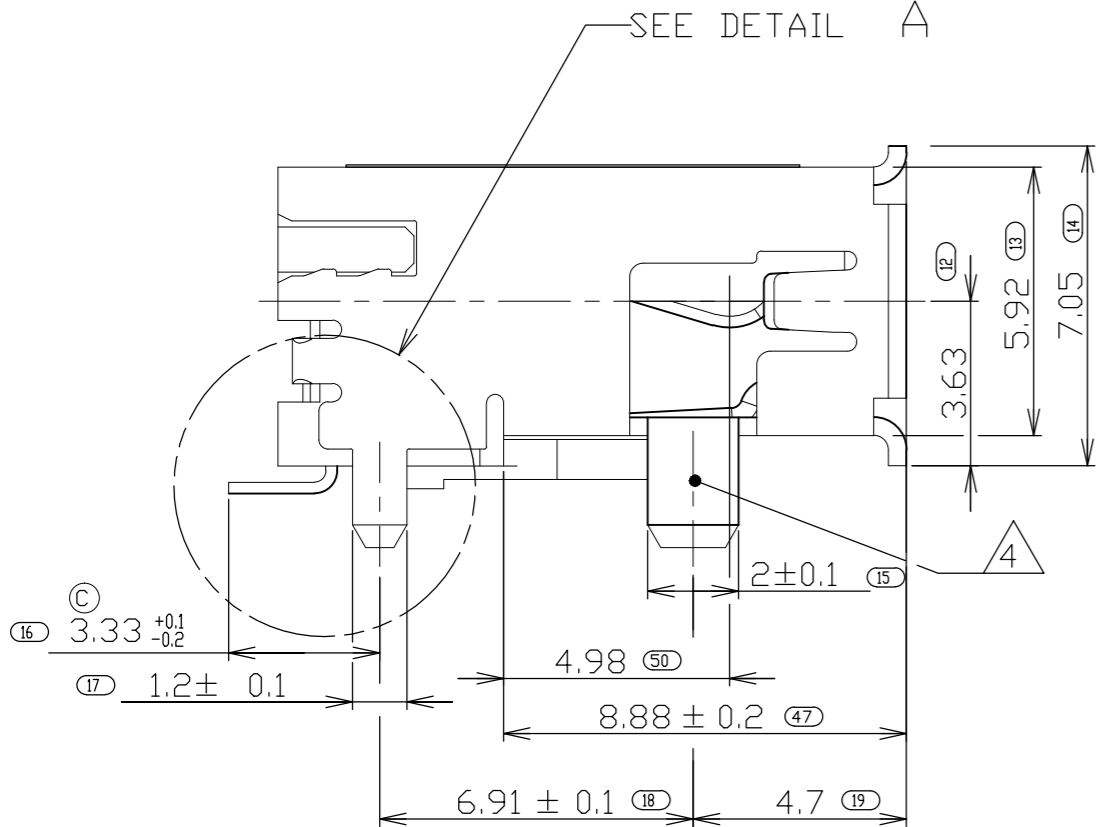
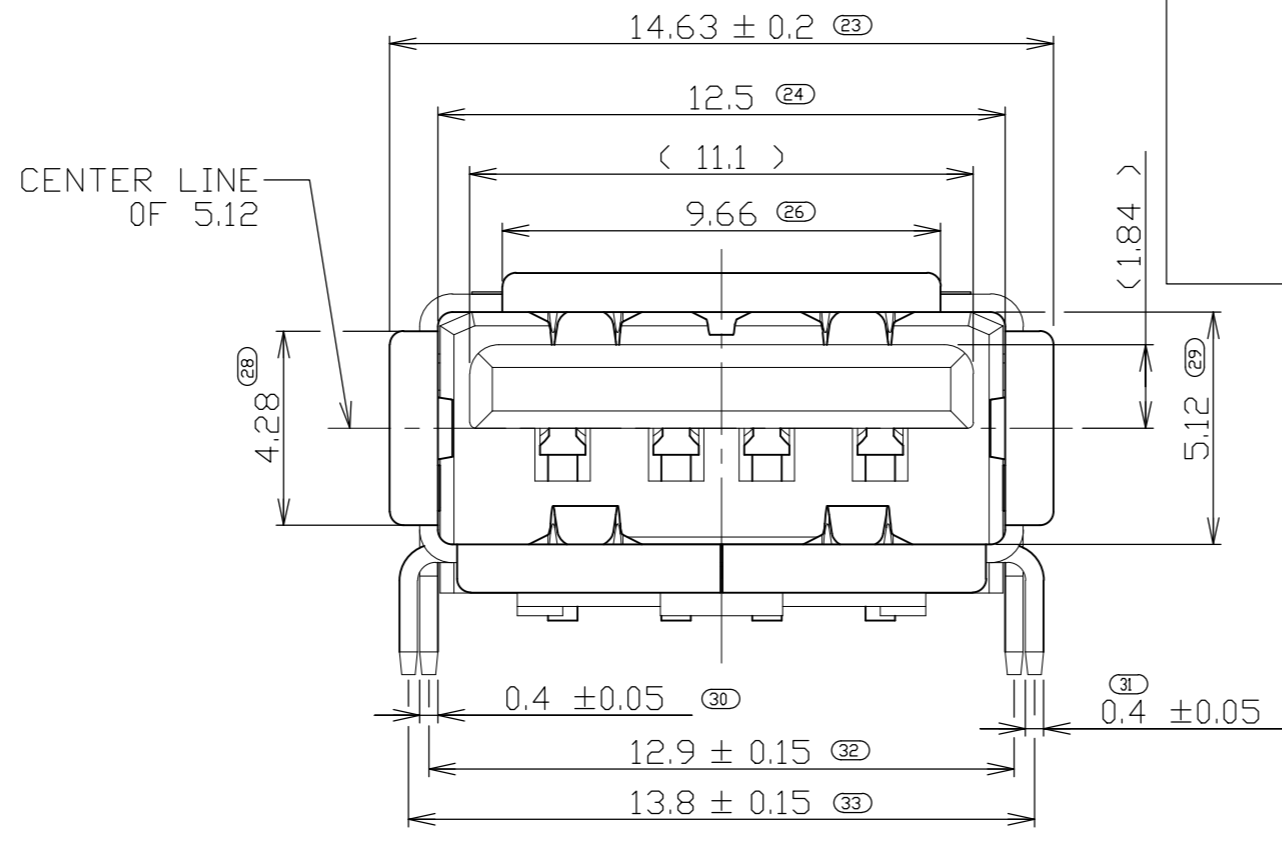
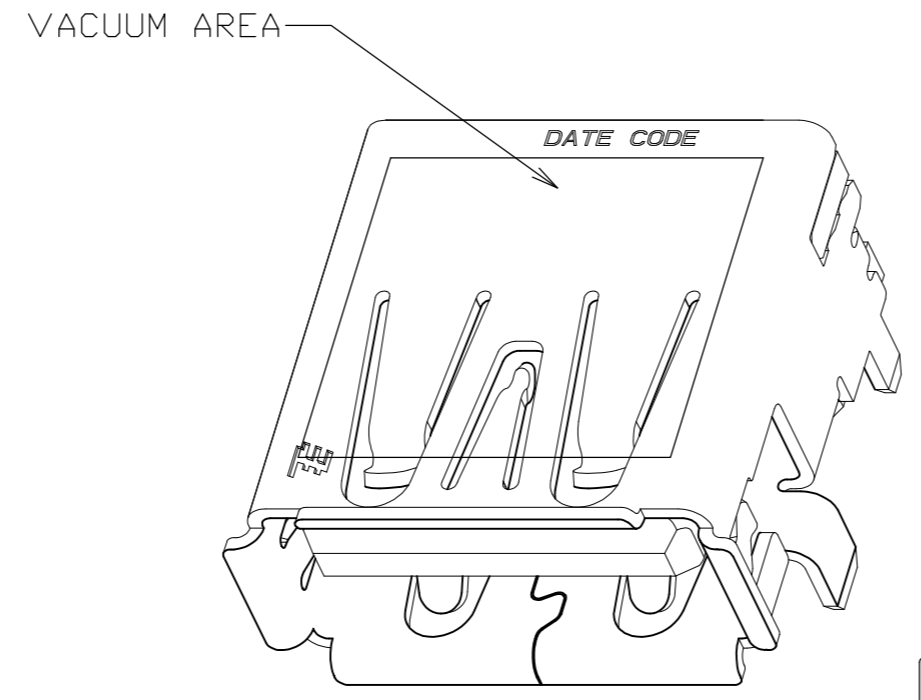
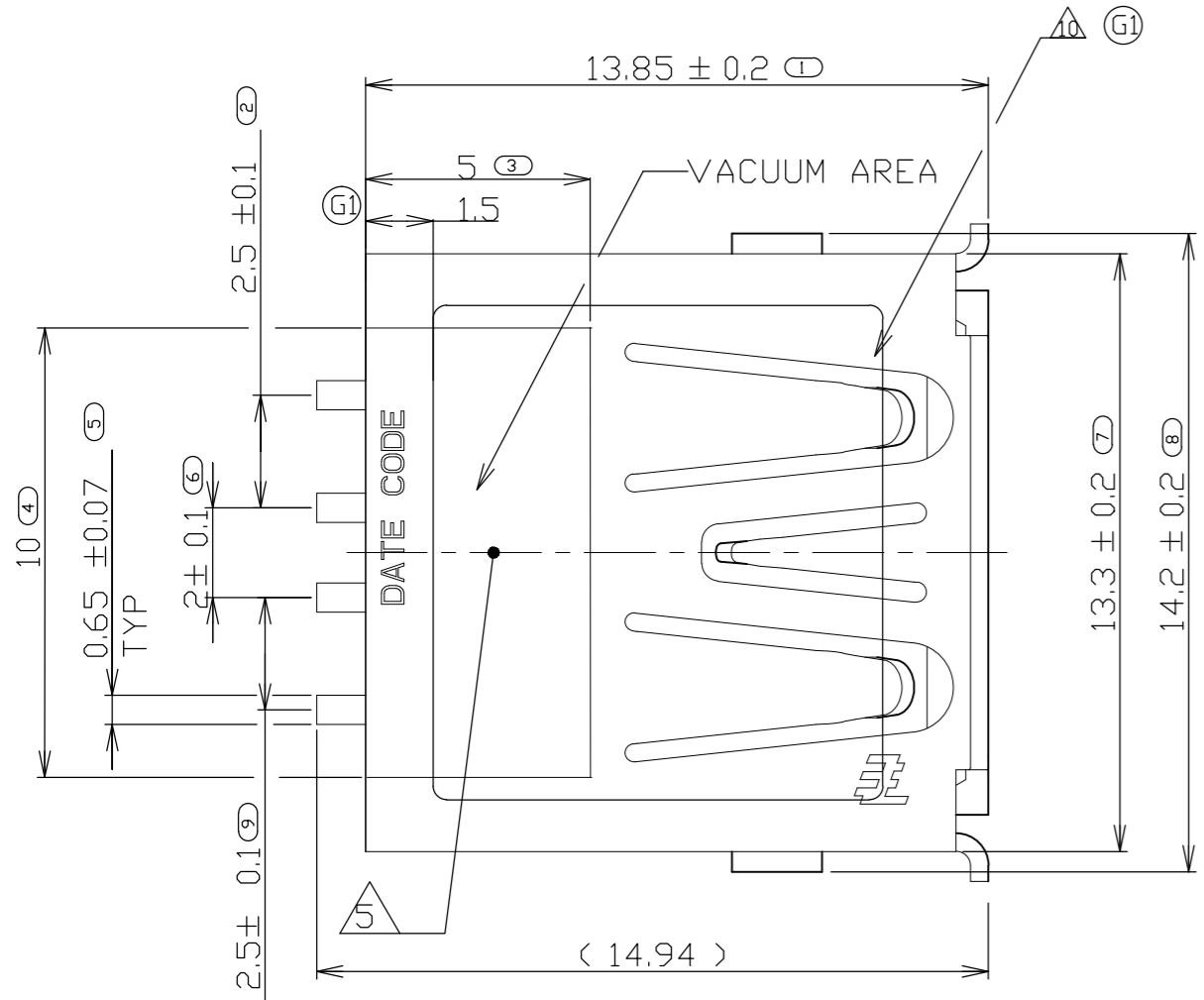
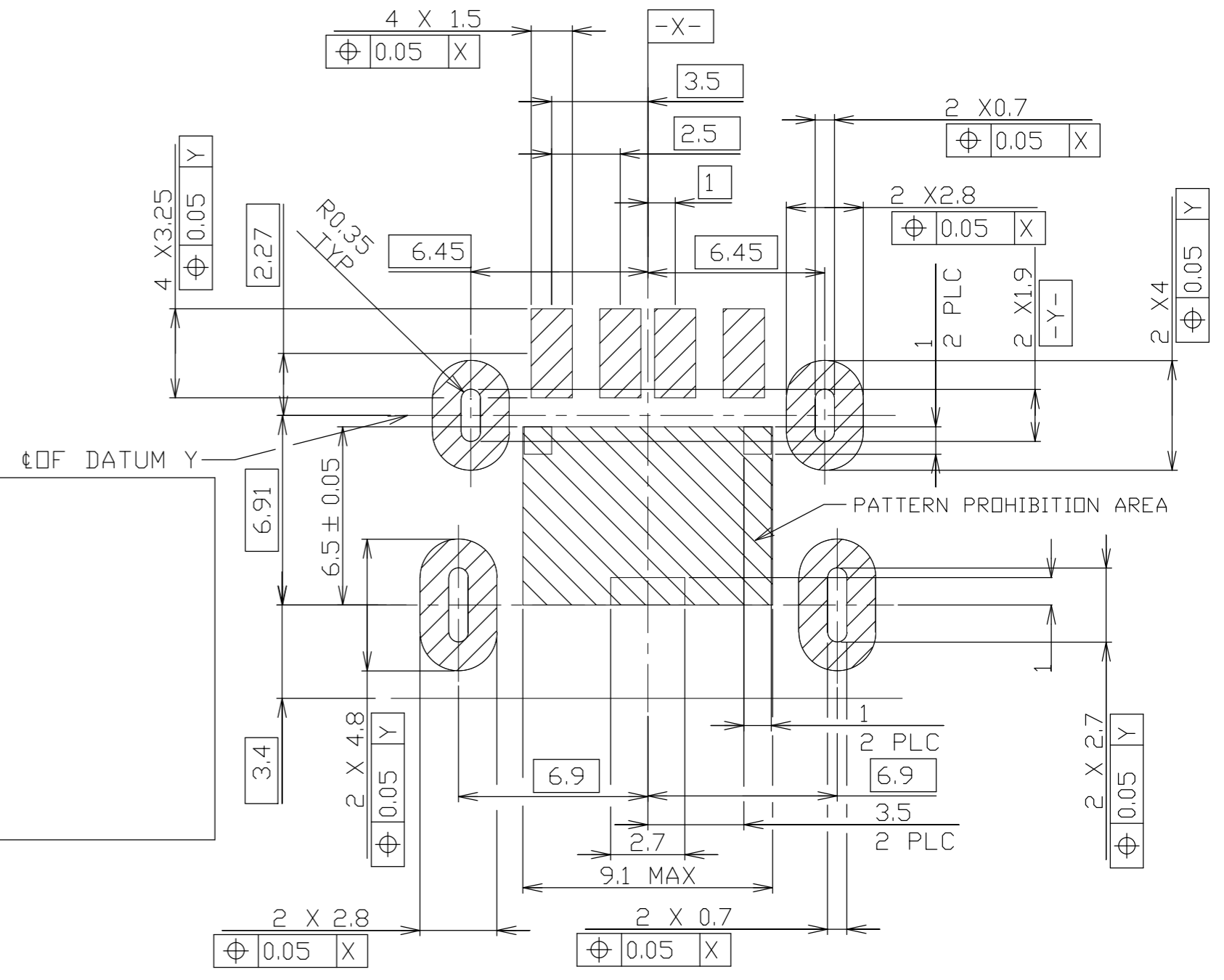


THIS DRAWING IS UNPUBLISHED. RELEASED FOR PUBLICATION
 © COPYRIGHT - By - ALL RIGHTS RESERVED.

LOC		DIST		REVISIONS			
P	LTR	DESCRIPTION	DATE	DWN	APVD		
G		REVISED PER ECR-15-015951	05NOV2015	T.Z	H.W		



DETAIL A
SCALE 12:1



- NOTES:
- △ MATERIALS:
 - △ HOUSING: LCP, UL 94V-0 RATED; COLOR: BLACK
 - CONTACTS: COPPER ALLOY
 - SHIELD: CARBON STEEL (T=0.40mm)
 - Ⓜ KAPTON: LYMIDE TAPE (NO.360AST) COLOR: BROWN (TRANSPARENT)
 - △ FINISH:
 - △ CONTACT: 0.76um MIN GOLD PLATING AND POROSITY SEALING TREATMENT ON CONTACT AREA
 - 3.8um MIN MATTE TIN ON SOLDER TAILS
 - 1.27um MIN NICKEL UNDER PLATING
 - △ CONTACT: 0.05um MIN GOLD PLATING OVER 0.75um MIN Pd-Ni, AND POROSITY SEALING TREATMENT ON CONTACT AREA
 - 3.8um MIN MATTE TIN ON SOLDER TAILS
 - 1.27um MIN NICKEL UNDER PLATING
 - SHIELD: POINT △ IS 3um MIN AND POINT △ IS 2.4um MAX
 - MATTE TIN ALL OVER 1.0um MIN NICKEL
 - INCLUDES FRACTURE SURFACE (EDGE)
 - 3. TINE COPPLANARITY MUST BE UNDER 0.1 MAX

(G1)	(G1)	(G1)	(G1)
△ 1	△	△	1932638-5
-	△	△	1932638-4
-	△	△	1932638-3
KAPTON	CONTACT PLATING	HOUSING MATERIAL	PART NUMBER

THIS DRAWING IS A CONTROLLED DOCUMENT.

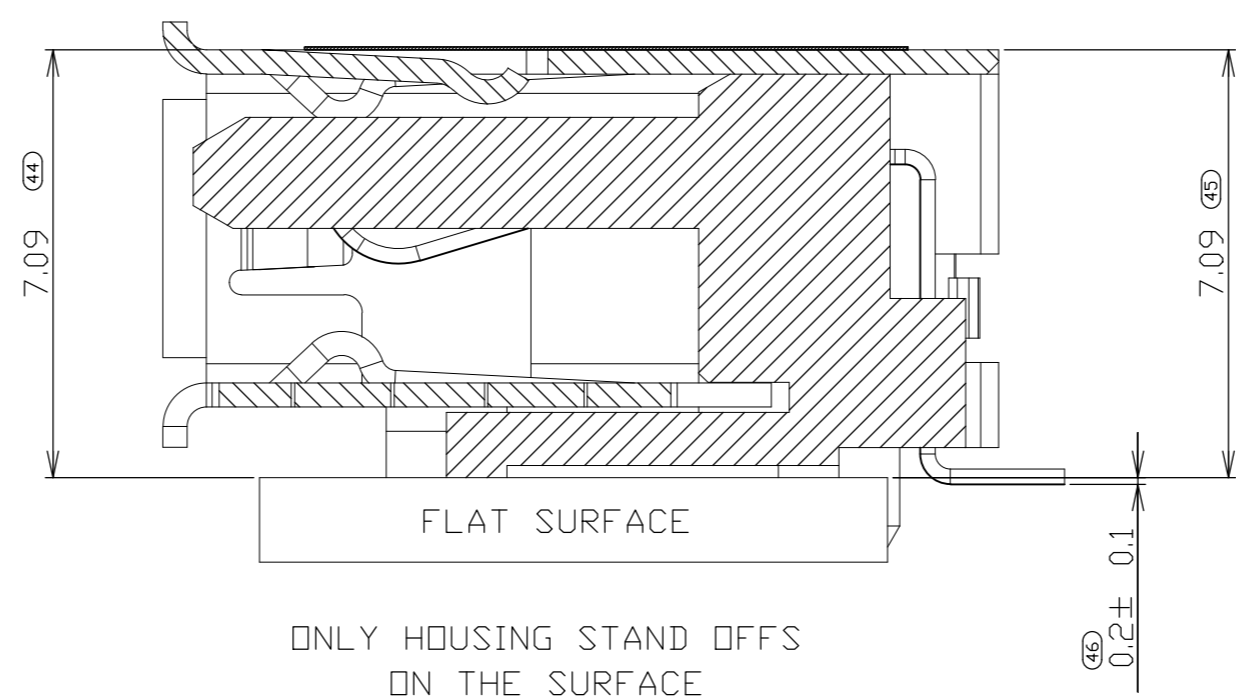
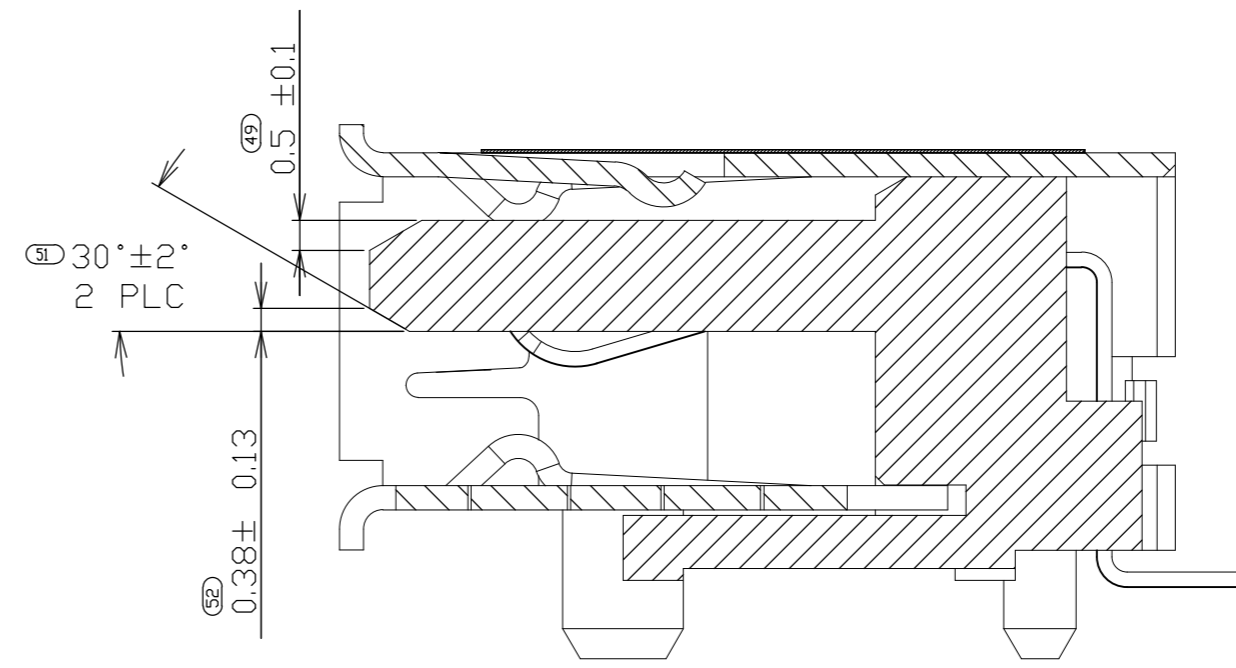
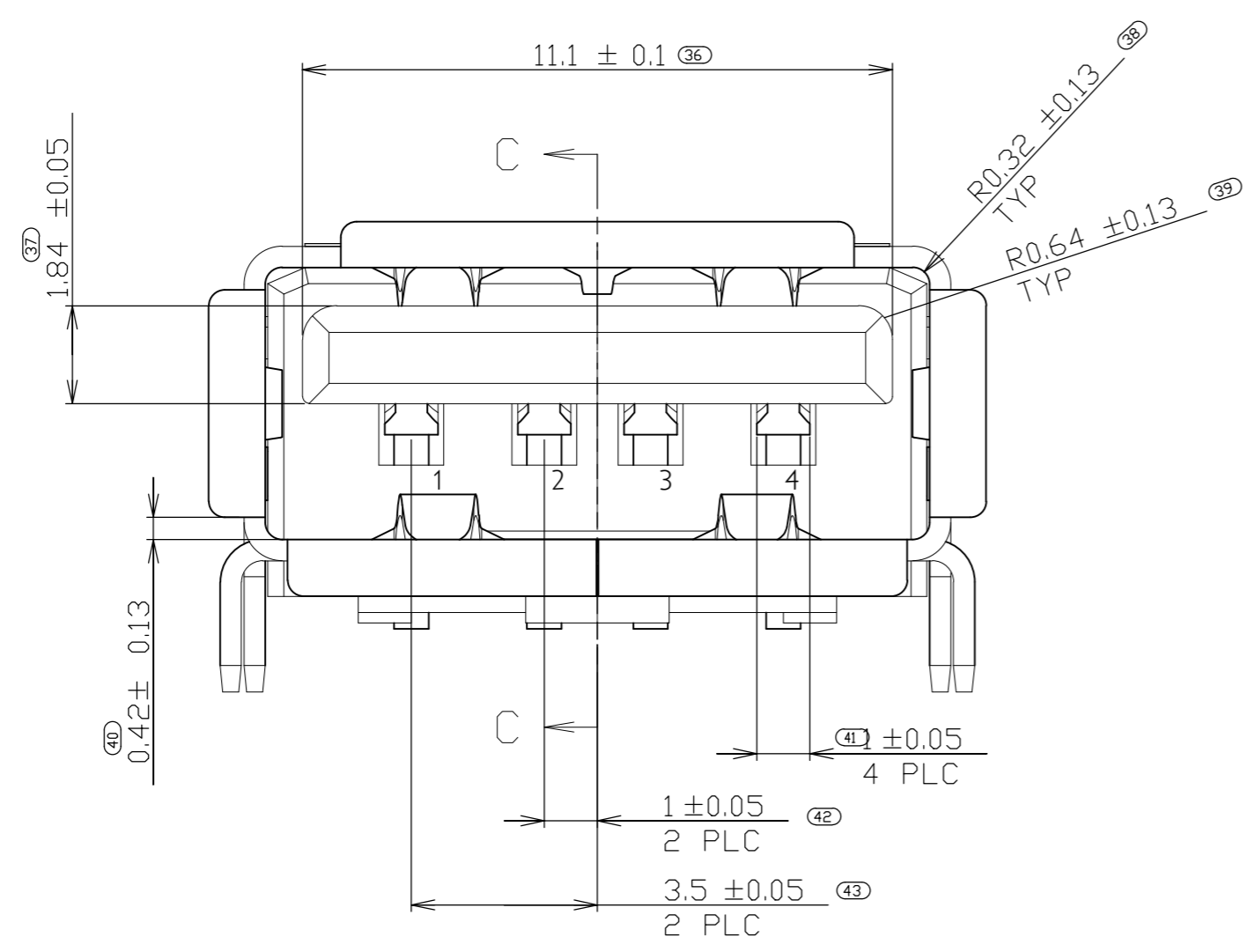
DWN	ADAMS LV	21SEP2013
CHK	MARTIN LI	21SEP2013
APVD	STEVEN YAO	21SEP2013
PRODUCT SPEC	108-60034	
APPLICATION SPEC		
MATERIAL		
FINISH		

TE Connectivity
PRELIMINARY
 RECERTACLE ASSEMBLY RIGHT ANGLE
 SMT USB 2.0

SIZE	A2	CAGE CODE	00779	DRAWING NO	C=1932638	RESTRICTED TO	
SCALE	NTS	SHEET	1 OF 3	REV	G1		

THIS DRAWING IS UNPUBLISHED. RELEASED FOR PUBLICATION
 © COPYRIGHT - By - ALL RIGHTS RESERVED.

LOC		DIST		REVISIONS			
P	LTR	DESCRIPTION	DATE	DWN	APVD		
-	-	SEE SHEET 1	-	-	-	-	-



THIS DRAWING IS A CONTROLLED DOCUMENT.		DWN ADAMS LV 21SEP2013	TE Connectivity	
DIMENSIONS: mm		CHK MARTIN LI 21SEP2013		
TOLERANCES UNLESS OTHERWISE SPECIFIED:		APVD STEVEN YAO 21SEP2013	NAME RECEPTACLE ASSEMBLY RIGHT ANGLE SMT USB 2.0	
0 PLC ± 0.25 1 PLC ± 0.20 2 PLC ± 0.20 3 PLC ± 0.15 4 PLC ± 0.15 ANGLES ± 3		PRODUCT SPEC 108-60034	RESTRICTED TO	
MATERIAL		APPLICATION SPEC	SIZE A2	CAGE CODE 00779
FINISH		WEIGHT	DRAWING NO. C-1932638	SCALE NTS
		CUSTOMER DRAWING	SHEET 2 of 3	REV G1

