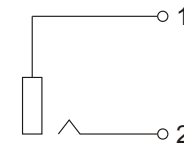
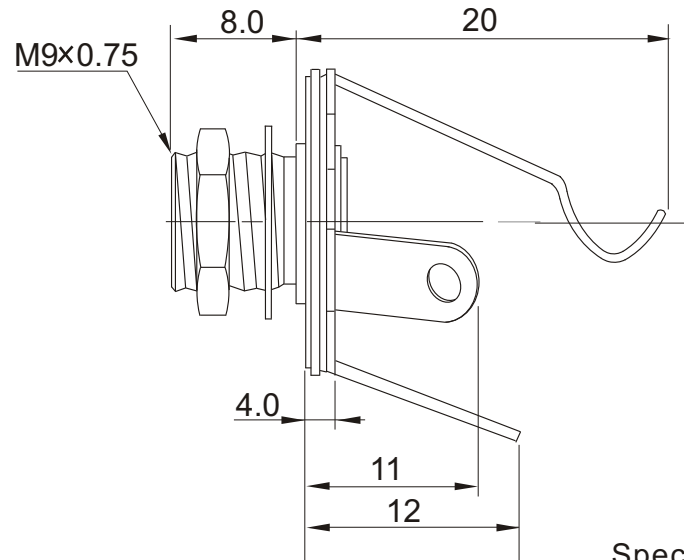
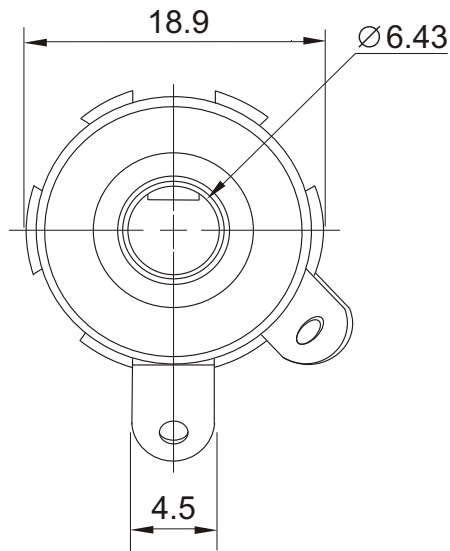
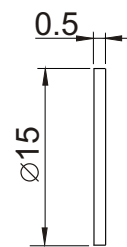
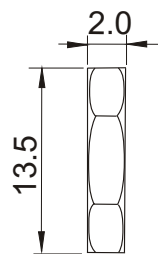
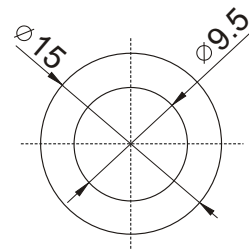
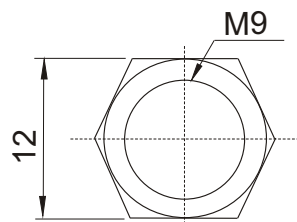


REVISIONS				
LTR	DESCRIPTION	DATE	REVISED	APPROVED



SCHEMATIC



HEX NUT

FLAT WASHER

Specifications:
 Rating:DC50V 1A
 Force:5-35N
 Contact resistance:
 Less than30mΩ
 Insulation resistance:
 Over100MΩ on DC 500V measured.
 Voltage withstand:
 AC 500V For 1minute,

LTR	PART NAME	QTY	MATERIAL	FINISH	REMARK
7	FLAT WASHER	1	STEEL T=0.5	MB:Ni	
6	HEX NUT	1	BRASS	MB:Ni	
5	SLEEVE	1	BRASS	MB:Ni	
4	TERMINAL-1	1	BRONZE Y=0.6	MB:Cu,Ag	No.2
3	EARTH SPPING	1	BRASS Y=0.5	MB:Cu,Ag	No.1
2	WASHER	1	ABS 94HB	BLACK	
1	HOUSING	1	ABS 94HB	BLACK	

DSND	ZHANGGUOJING	DATE	2013-09-30	TOLERANCE	SCALE 2/1	NAME	PHONE JACK
CHKD		DATE		X.X ±0.3	UNIT:mm	CAT.NO.	L-KLS1-TG6.3-002AA
APPD		DATE		X.XX ±0.2			
				X.XXX ±0.1		DWN.NO.	
				ANGLE ±3.0°			
NINGBO KLS ELECTRONIC CO.,LTD							