

Stereo Jack Series

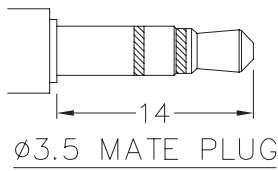
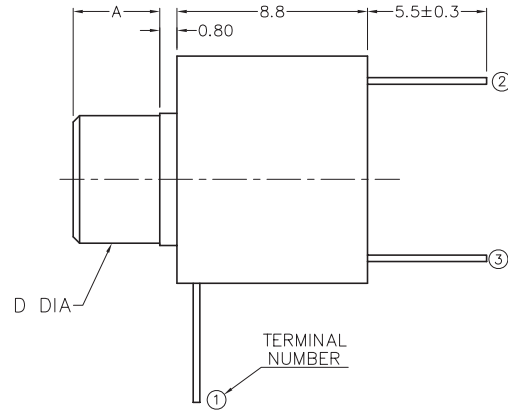
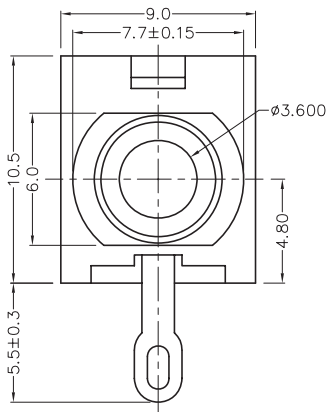
KLS1-TSJ3.5-007A (Dip Stereo Jack)

Technical parameters:

Rated voltage: DC 30 V
 Rated current: 0.5 A
 Contact resistance: 0.03Ω, max
 Insulation resistance: 100MΩ, min
 Pressure: AC500V (50Hz) / 1 minute
 Insertion Force :2-20 N
 Life: 50000 times
 Operating Temperature:-30°C ~ 70°C

Material:

Housing Material:PBT
 Center Pin Material:
 Terminal 1 :Brass
 Terminal 2 :Copper Alloy
 Terminal 3 :Brass
 Bushing :Brass



MODEL NO.	TSJ3.5-007A	TSJ3.5-007AA
D DIA	With NUT M6X0.5	With NUT M6X0.5
A	4.0mm	3.5mm
SCHEMATIC		

ORDER INFORMATION

Product NO.: KLS1-TSJ3.5-007AA

