

Stereo Jack Series

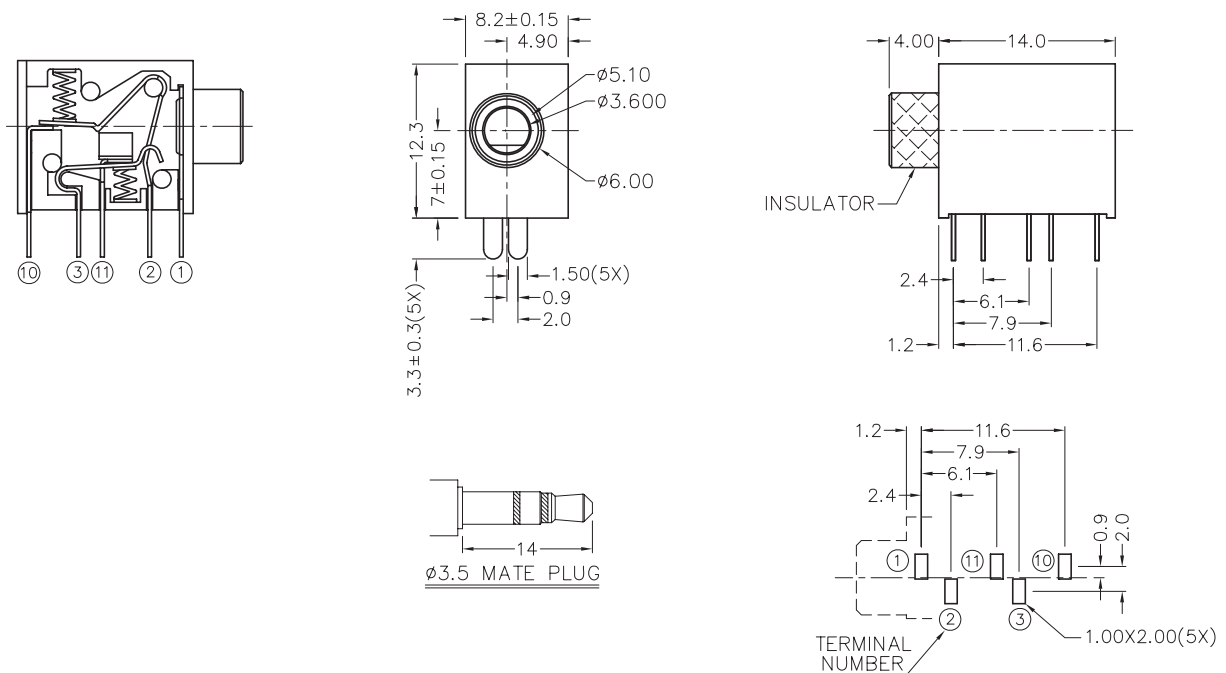
KLS1-TSJ3.5-008A (Dip Stereo Jack)

Technical parameters:

Rated voltage: DC 30 V
 Rated current: 0.5 A
 Contact resistance: 0.03Ω, max
 Insulation resistance: 100MΩ, min
 Pressure: AC500V (50Hz) / 1minute
 Insertion Force :2-20 N
 Life: 50000 times
 Operating Temperature:-30°C ~ 70°C

Material:

Housing , Cover : PBT
 Center Pin Material:
 Terminal 1 , 2 , 3 , 10 , 11 : Brass
 Spring : Stainless Steel
 Bushing : Brass



| MODEL NO. | TSJ3.5-008A | TSJ3.5-008AA | TSJ3.5-008AB | TSJ3.5-008AC | TSJ3.5-008AD |
|-----------|-------------|--------------|--------------|--------------|--------------|
| SCHEMATIC | | | | | |

PCB LAYOUT
(BOTTOM VIEW)

ORDER INFORMATION

Product NO.: KLS1-TSJ3.5-008AA

