

Stereo Jack Series

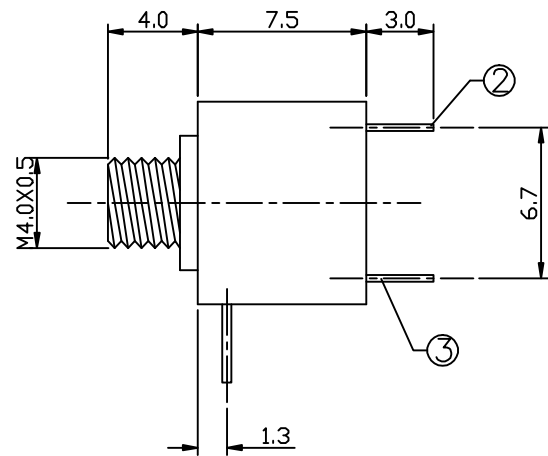
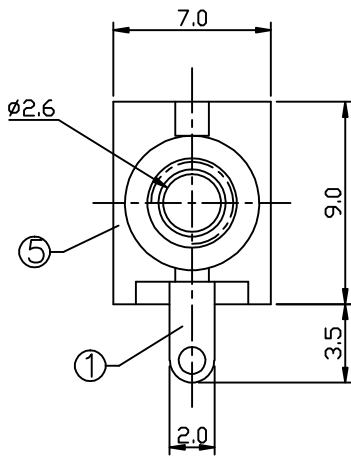
KLS1-TG2.5-001A (Dip Mono Jack)

Material:

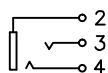
- 1.Flat Piece:H62 Brass,Cu-Sn-Plating
- 2.Spring Piece:Phosphor Bronze,Cu-Sn-Plating
- 3.Curve Piece:H62 Brass,Cu-Sn-Plating
- 4.Axis Support:H59 Brass,Ni-Plating
- 5.Housing:ABS

Technical parameters:

- Rated voltage: DC 30 V
- Rated current: 0.5 A
- Contact resistance: 0.03 Ω , max
- Insulation resistance: 100M Ω / min
- Pressure: AC500V (50Hz) / 1minute
- Insertion Force :3-20 N
- Life: 50000 times
- Operating Temperature:-30oC ~ 70oC



SCHEMATIC



ORDER INFORMATION

Product NO.: KLS1-TG2.5 -001A

