

Stereo Jack Series

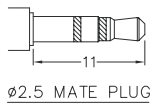
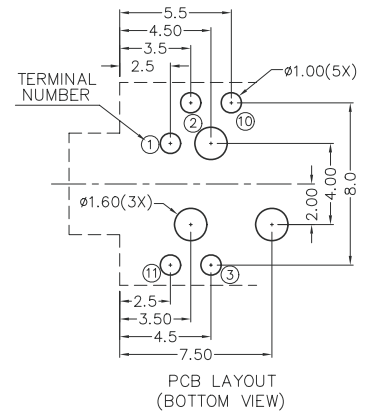
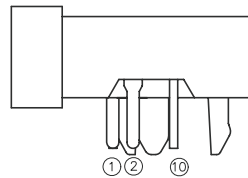
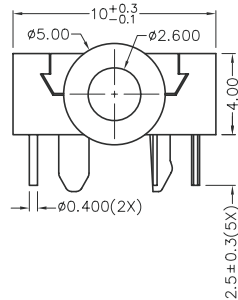
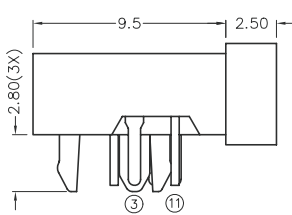
KLS1-TSJ2.5-006A (Dip Stereo Jack)

Technical parameters:

- Rated voltage: DC 30 V
- Rated current: 0.5 A
- Contact resistance: 0.03Ω, max
- Insulation resistance: 100MΩ, min
- Pressure: AC500V (50Hz) / 1minute
- Insertion Force :2-20 N
- Life: 50000 times
- Operating Temperature:-30°C ~ 70°C

Material:

- Terminal 1 :Brass
- Terminal 2 :Copper Alloy
- Terminal 3 :Copper Alloy
- Terminal10 :Copper Alloy
- Terminal 11 :Copper Alloy
- Bousing :Brass
- Housing :Pa66
- Cover :Pa66



MODEL NO.	006A	006AA	006AB	006AC	006AD	006AE
SCHEMATIC						

ORDER INFORMATION

Product NO.: KLS1-TSJ2.5-006AA

