

Stereo Jack Series

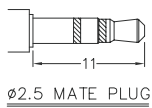
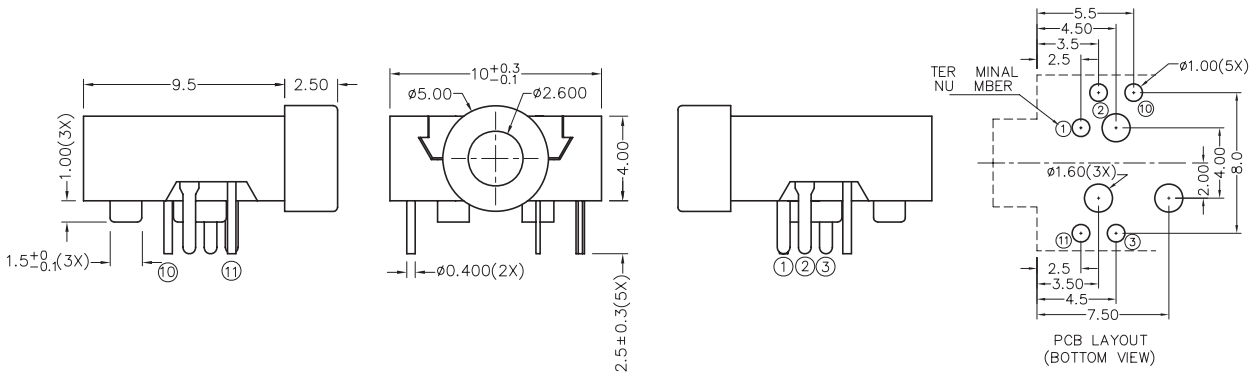
KLS1-TSJ2.5-007A (Dip Stereo Jack)

Technical parameters:

Rated voltage: DC 30 V
 Rated current: 0.5 A
 Contact resistance: 0.03Ω, max
 Insulation resistance: 100MΩ, min
 Pressure: AC500V (50Hz) / 1minute
 Insertion Force :2-20 N
 Life: 50000 times
 Operating Temperature:-30°C ~ 70°C

Material:

- Terminal 1 : Brass
- Terminal 2 : Copper Alloy
- Terminal 3 : Copper Alloy
- Terminal 10 : Copper Alloy
- Terminal 11 : Copper Alloy
- Bushing : Pa66
- Housing : Pa66
- Coverl : PA66



MODEL NO.	TSJ2. 5-007A	TSJ2. 5-007AA	TSJ2. 5-007AB	TSJ2. 5-006AC	TSJ2. 5-007AD	TSJ2. 5-007AE
SCHEMATIC						

ORDER INFORMATION

Product NO.: KLS1-TSJ2.5-007AA

