

REVISION RECORD

REV	ECN	DESCRIPTION	DRFT	DATE
-----	-----	-------------	------	------

NOTES1:

UL Standard

- 1.Rated voltage/current : 600V / 10A
- 2.Withstanding voltage : AC2200V/1Min.
- 3.Wire range : 18~16AWG(STR)

IEC Standard

1.	Pollution Degree	2	2	3
	Overtoltage Category	II	III	III
	Rate Impulse Voltage(KV)	6.0KV	6.0KV	6.0KV
	Rate Voltage(V)	1000V	630V	500V
	Rate Current(A)	10A		

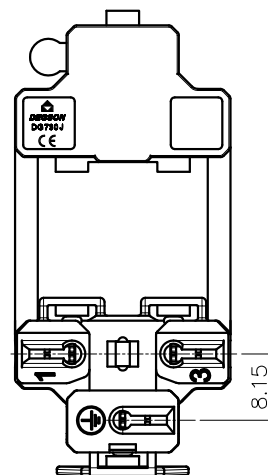
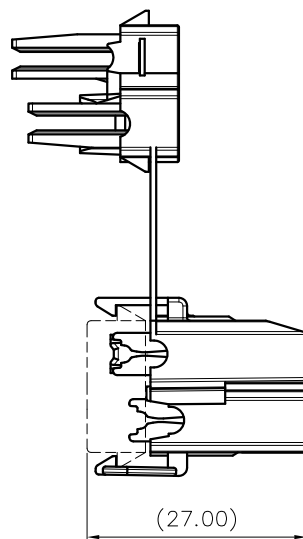
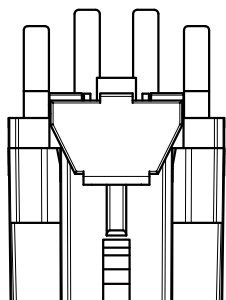
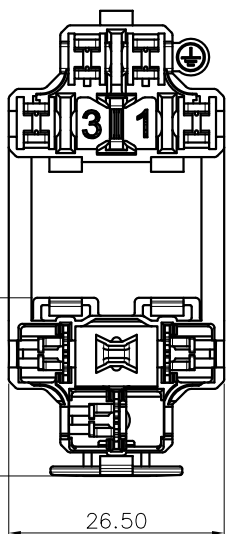
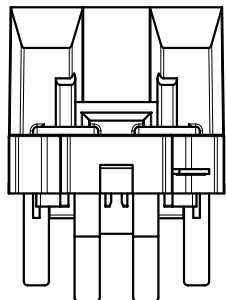
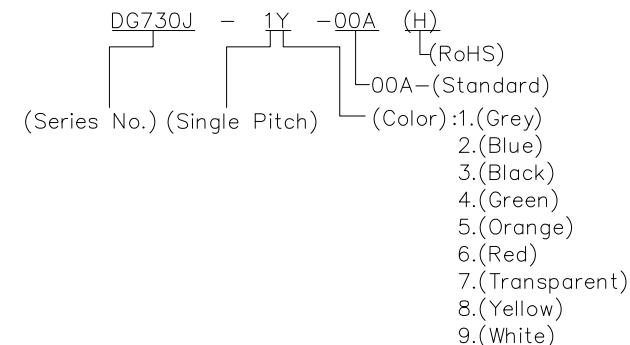
- 2.Wire range : 0.75~1.5mm²(STR)

NOTES2:

- 1.Dimension shall be interpreted per ASME Y14.5-2009
- 2.Poles : N=03P
- 3.Operating temperature:-40°C~+105°C
- 4.Undimensioned tolerances:

Pitch range in mm	Nominal dimension range in mm						0.1/10	
	Over 6 TO 10	Over 10 TO 24	Over 30 TO 30	Over 60 TO 60	Over 100 TO 100	Over 150 TO 150		
±0.15	±0.20	±0.30	±0.30	±0.50	±0.70	±1.00	±1.30	±2"

- 5.RoHS Compliance



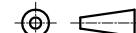
DETACHED LISTS	PART NO.:	/			
	APPD:	/			
	CHKD:	/			
	DRFT:	/			
	DRAWING NO.:		/		SHEET
THIRD ANGLE PROJECTION		DO NOT SCALE DRAWING		SCALE	1:1

NINGBO DEGSON ELECTRICAL CO., LTD



DG730J-1Y-00A(H)

CUSTOMER DRAWING



THIRD ANGLE PROJECTION

DRAWING NO.:

MM (INCH)

DO NOT SCALE DRAWING

SCALE

REV

DATE

1:1