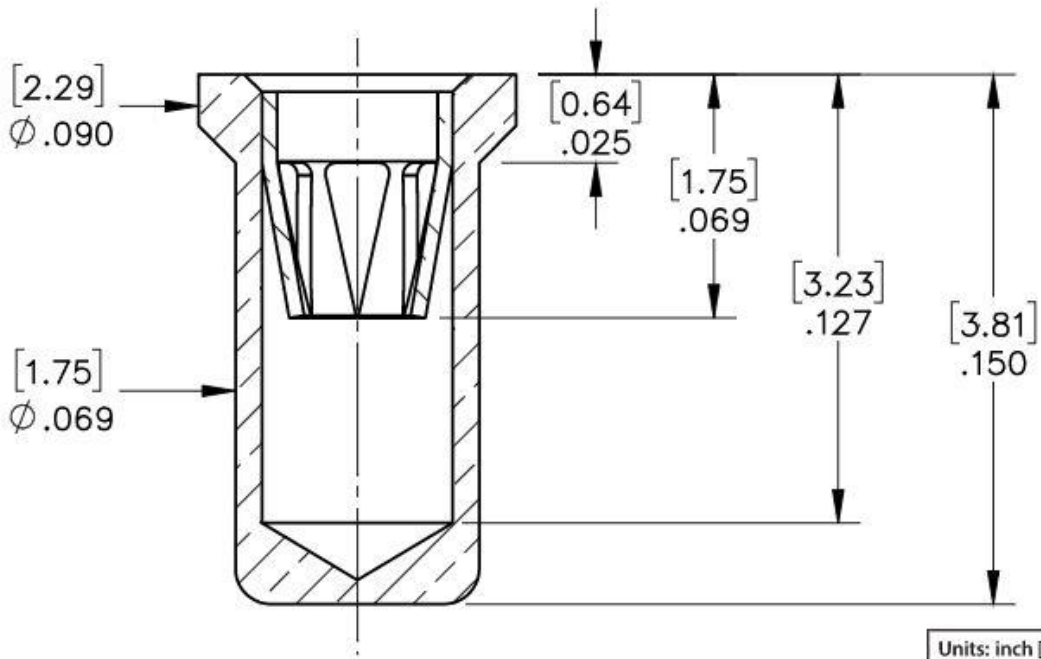


0331-0-15-XX-18-XX-10-0



Units:	inch [mm]
Standard Tolerances:	
Lengths:	± .005 [0.127]
Diameters:	± .002 [0.051]
Angles:	± 2°