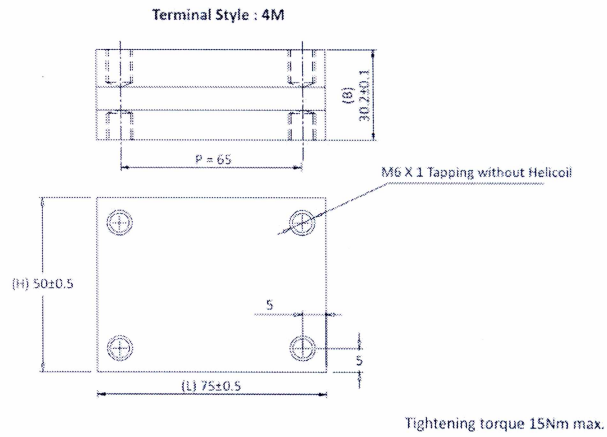


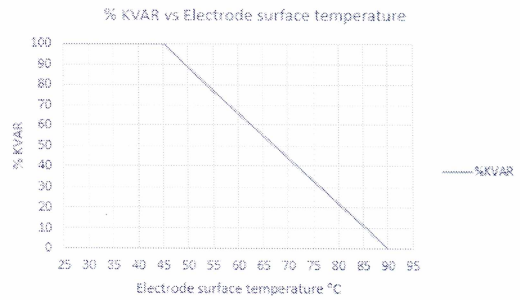
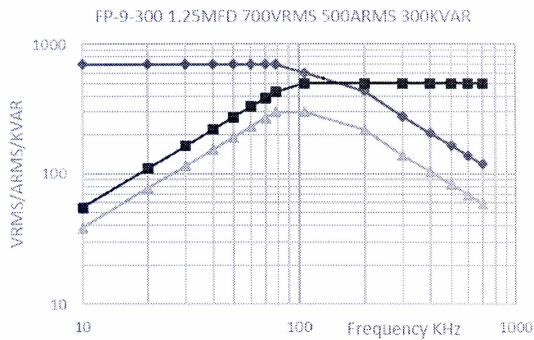
Capacitor Specifications	Power Film Capacitors
Design Reference number *	FP-9-300-013 Rev 00 (* to be specified during ordering)
Date	03.07.2016
Description	1.25 μF $\pm 10\%$ 700VRMS 500ARMS 300 KVAR Terminal Style 4M
Customer	Osdizan

Electrical Specifications	
Nominal Capacitance @ 1KHz & 25°C	1.25 μF
Capacitance Tolerance	$\pm 10\%$
Rated Voltage	700VRMS
Rated Current	500 ARMS
Rated Power	300KVAR
Frequency range for 300 KVAR	238-423 KHz
ESR	$\leq 1 \text{ m}\Omega$
Cooling	Conductor
Water Flow rate	10LPM
Water inlet temperature	30 °C
Water outlet temperature	< 45 °C



Dimensions in mm

Derating Graphs



Prepared by: Milind



Verified by: Prassana



Approved by: Anup Sachdev



MASTER COPY