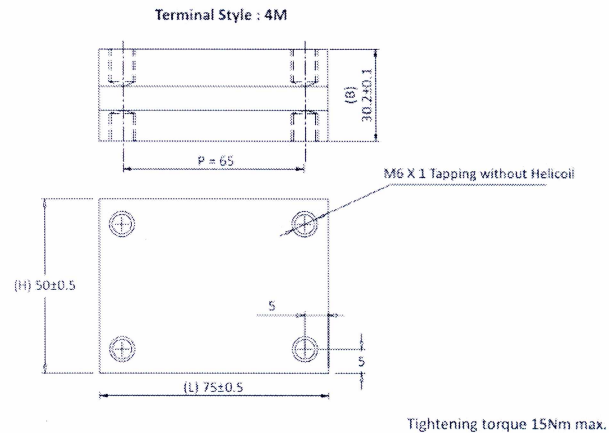


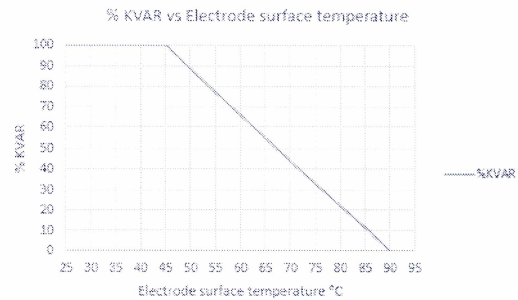
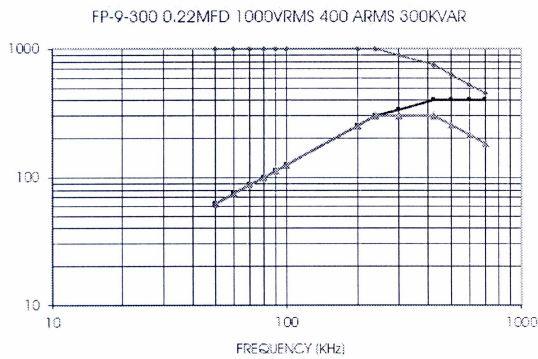
Capacitor Specifications	Power Film Capacitors
Design Reference number *	FP-9-300-012 Rev 00 (* to be specified during ordering)
Date	03.07.2016
Description	0.22 μ F \pm 10% 1000VRMS 400ARMS 300 KVAR Terminal Style 4M
Customer	Osdizan

Electrical Specifications	
Nominal Capacitance @ 1KHz & 25°C	0.22 μ F
Capacitance Tolerance	\pm 10%
Rated Voltage	1000VRMS
Rated Current	400 ARMS
Rated Power	300KVAR
Frequency range for 300 KVAR	238-423 KHz
ESR	\leq 1 m Ω
Cooling	Conductor
Water Flow rate	10LPM
Water inlet temperature	30 °C
Water outlet temperature	< 45 °C



Dimensions in mm

Derating Graphs



Prepared by: Milind



Verified by: Prassana



Approved by: Anup Sachdev



MASTER COPY