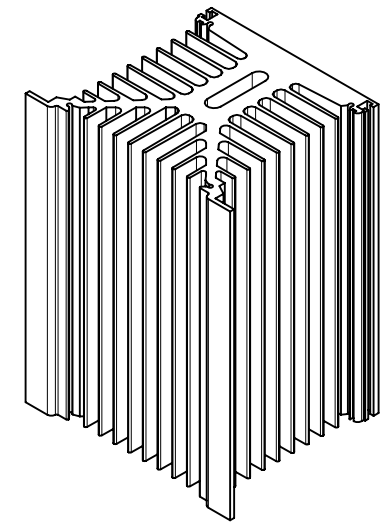
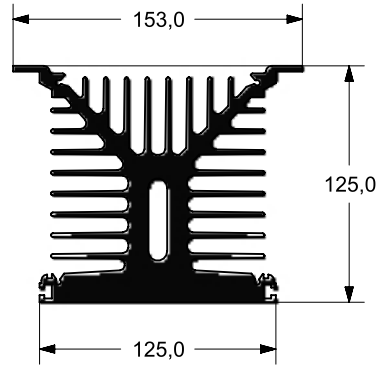


1 2 3 4 5 6

A

A



B


B

C

C

D

D

		CUSTOMER NAME		OZDAS0132	
		PART NAME			
FIRST ISSUED	A.DAYLAN	AREA (mm ²)		MEASURE (mm) (W x L x H)	
DRAWN BY	A.DAYLAN	PERIMETER(mm)		DIMENSIONS	mm
CHECKED BY	O.BULUS	MATERIAL	Aluminium	ALLOY	AA.6060-63
APPROVED BY	O.BULUS	WEIGHT (kg)	17,34	SCALE	1:1
RELEASE DATE		SHEET REV		ANODIZING	

1 2 3 4 5 A4