

## PRODUCT SPECIFICATION

**Model No.: FYL-3004KUYD1D**

Descriptions:
■ Dice material: AlGaInP
■ Emitting Color: Super bright Yellow
■ Device Outline: Φ3mm round type without edge.
■ Lens Type: Yellow diffused.



CUSTOMER APPROVED SIGNATURES	APPROVED BY	SALES BY	PREPARED BY
		<div style="border: 1px solid red; padding: 5px; display: inline-block;"> Foryard S011 2018.06.27 </div>	<div style="border: 1px solid red; border-radius: 50%; padding: 10px; display: inline-block;"> Foryard E001 2018.06.27 </div>

**NINGBO FORYARD OPTOELECTRONICS CO.,LTD.**

**Add:**NO.115 Qixin Road Ningbo Zhejiang China

**Zip:**315051

**Tel:** 0086-574-87933652 87927870 87922206

**Fax:** 0086-574-87927917

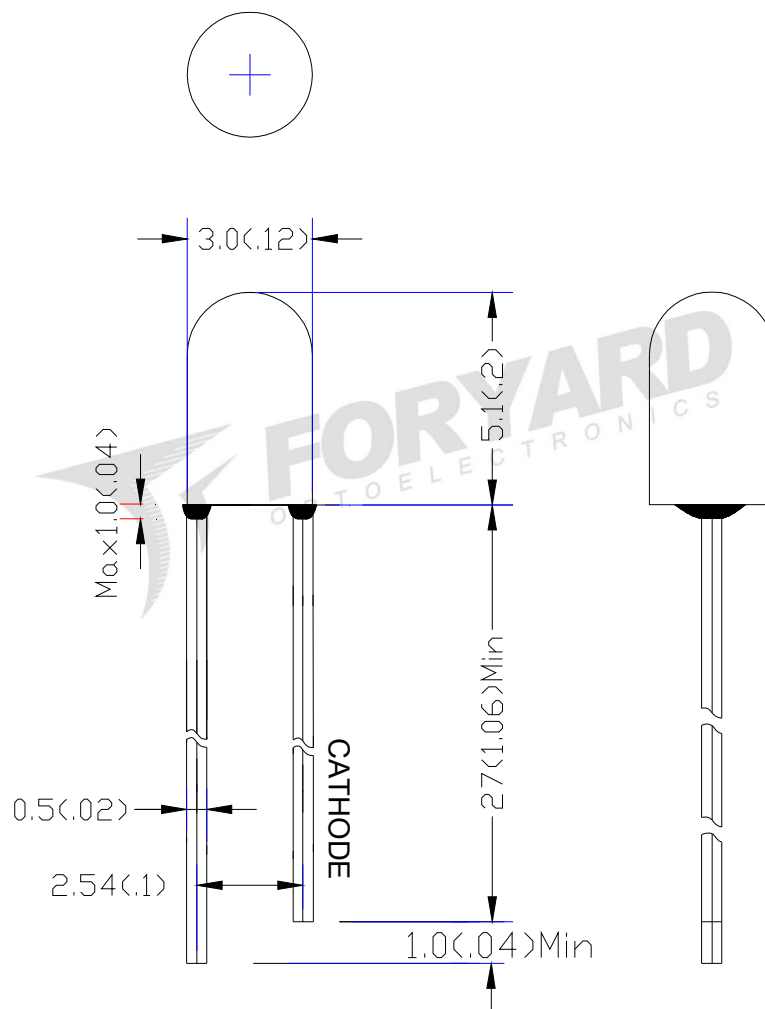
**E-mail:** Sales@foryard.com (General)

**Http://www.foryard.com**

■ **Features**

1. Low power consumption.
2. High efficiency.
3. General purpose leads.
4. RoHs compliant.

■ **Package configuration**



**Notes:**

1. All dimensions are millimeters (inches)
2. Tolerance is  $\pm 0.25\text{mm} (.010\text{'})$  unless otherwise noted.
3. The specifications, characteristics and technical data described in the datasheet are subject to change without prior notice.

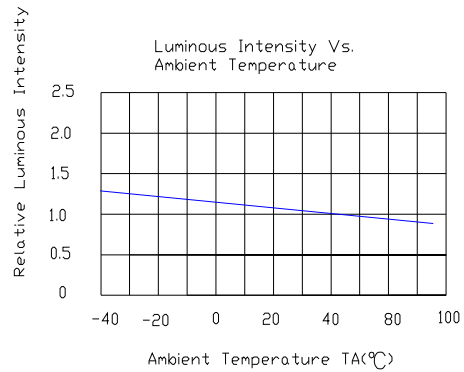
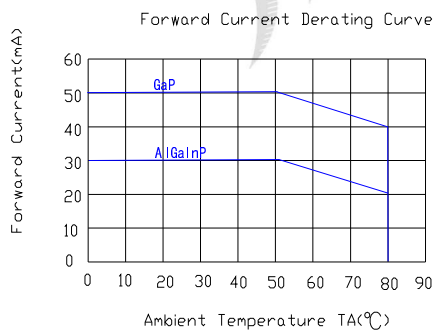
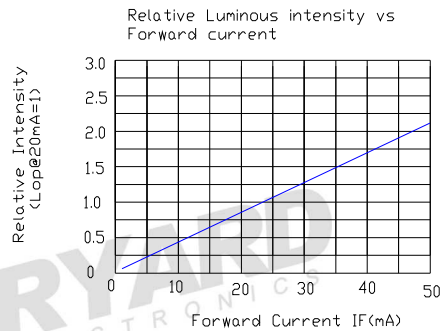
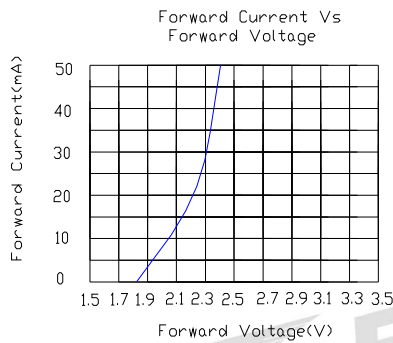
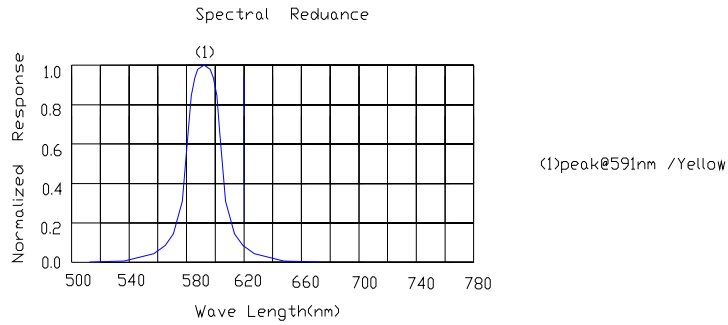
■ Absolute maximum ratings( $T_a=25^{\circ} \text{C}$ )

Parameter	MAX.	Unit
Power Dissipation	75	mW
Peak Forward Current (1/10 Duty Cycle, 0.1ms Pulse Width)	100	mA
Continuous Forward Current	30	mA
Derating Linear From $50^{\circ}\text{C}$	0.4	mA/ $^{\circ}\text{C}$
Reverse Voltage	5	V
Operating Temperature Range	$-40^{\circ}\text{C}$ to $+85^{\circ}\text{C}$	
Storage Temperature Range	$-40^{\circ}\text{C}$ to $+100^{\circ}\text{C}$	
Lead Soldering Temperature[4mm(.157") From Body]	260 $^{\circ}\text{C}$ for 5 Seconds	

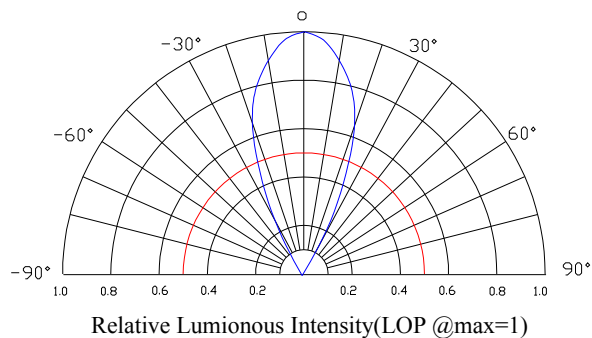
■ Electrical and optical characteristics( $T_a=25^{\circ} \text{C}$ )

Parameter	Symbol	Min.	Typ.	Max.	Unit	Test Condition
Luminous Intensity	$I_v$	350	500	–	mcd	$I_F=20\text{mA}$
Viewing Angle	$2\theta_{1/2}$	–	45	–	Deg	
Peak Emission Wavelength	$\lambda_p$	–	591	–	nm	
Dominant Wavelength	$\lambda_d$	586	590	594	nm	
Forward Voltage	$\Delta\lambda$	–	30	–	nm	
Spectral Line Half-Width	$V_F$	1.8	2.1	2.5	V	
Reverse Current	$I_R$			10	$\mu\text{A}$	$V_R=5\text{V}$

■ **Typical Electrical Characteristics Curves**  
**(25 °c Ambient Temperature Unless Otherwise Noted)**

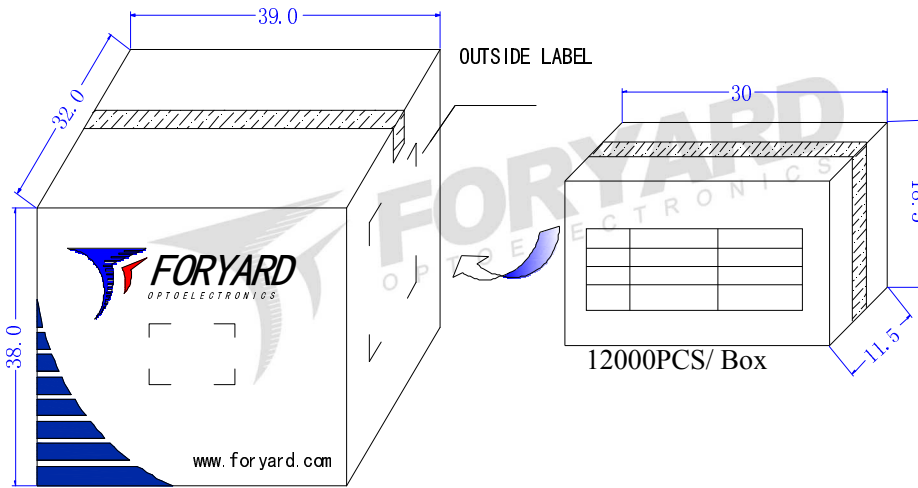
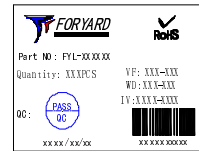
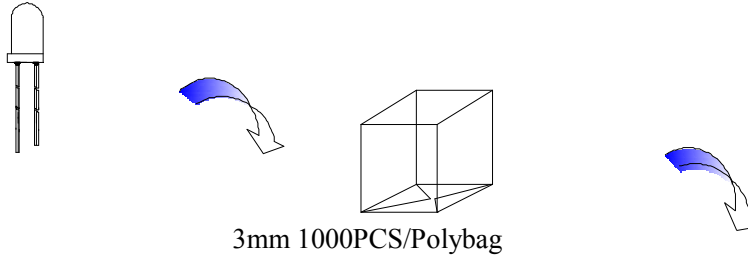


**Radiation pattern.**



<b>Model No.</b>	FYL-3004KUYD1D
<b>Date / Rev.</b>	2018.06.27/ A

■ LAMP PACKING



72000PCS/ Carton



OUTSIDE LABEL