



Optics
Shinland

Each Ray is brighter in Shinland

SL-D-075DA

Details

Material:	PMMA
Process:	Optical Transparent PMMA
MAX Diameter:	75mm
Height:	33mm
Bottom Diameter:	26.7mm
Matched Holder:	SL-HD-B
Matched Cover:	SL-075-WOF-LENS-B/SL-075-M-LENS-B SL-075-MOF-LENS-B/SL-075-F-LENS-B SL-075-FSQ-LENS-B/SL-075-WW-LENS-B
ROSH Compliant:	YES
Status:	Ready

Optical Properties

Code	Typ. Angle	Typ. efficiency
SL-D-075DA-S	15°	90%
SL-D-075DA-M	24°	90%

Photo



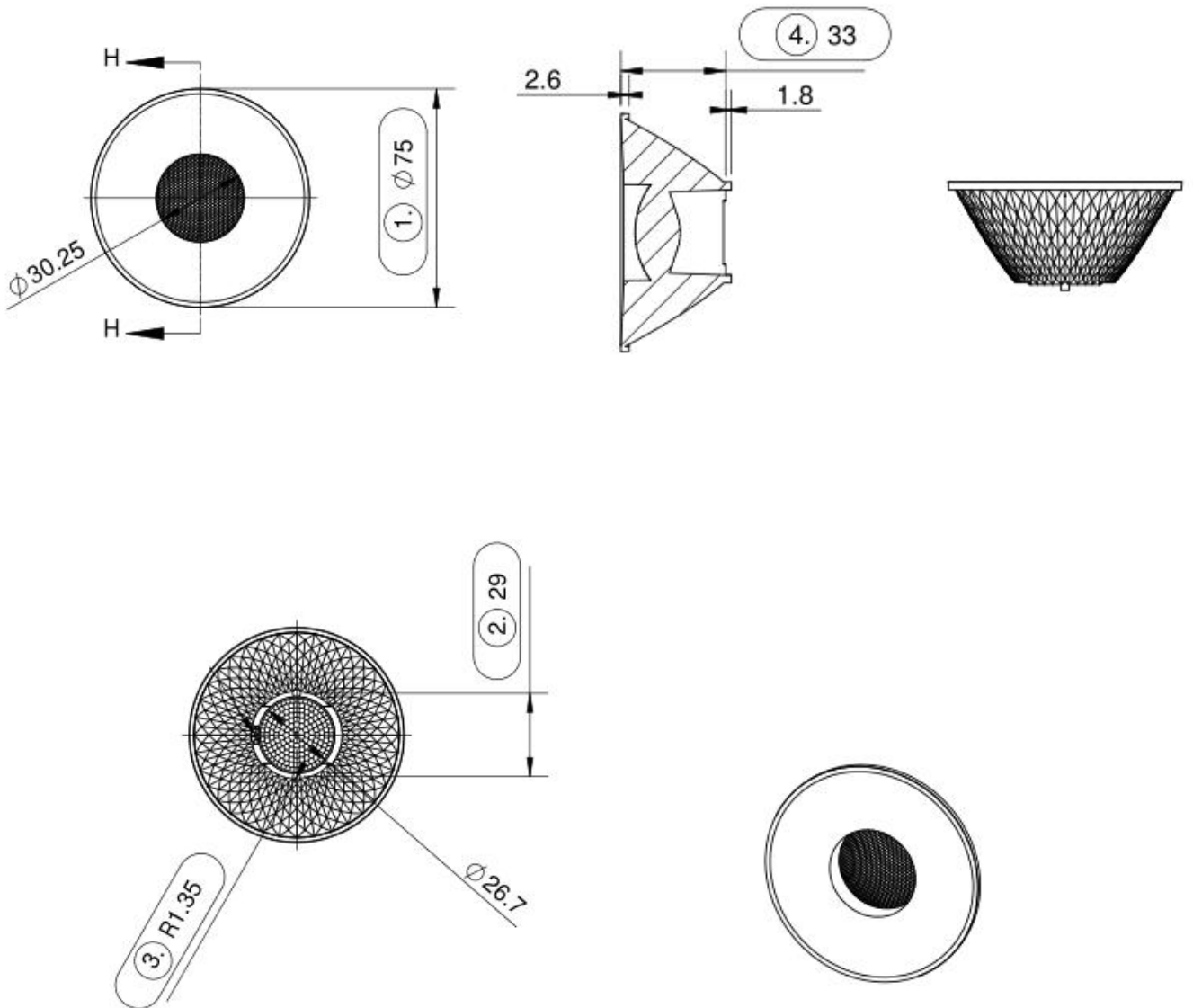
Matched LED Source

CLL020	G4-17
CLL03X	G4-10
CLU710	
CLU720	G17
CLU730	G21
	C4
MINI	
MEGA	LC020C
	LC040C
CXM-9	LC026B
CXM-14	LC033B
CXM-18	
CHM-9	EDC-38C
CHM-14	EDC-47C
	EDC-57C-20
CXA15	
CXA18	Soleriq 13
CXA1830	
	1204/1205
V13 Gen6	1208
V13 Gen7	
V15	XTM-9
V18	
Vero 13	
Vero 18	
NFCWL060B	
NFCLL060B	
NVCWL024Z	
NVCLL024Z	
NFCWJ108B	
NFCLJ108B	
NVExJ048Z	

Dimensional Figure

SL-D-075DA

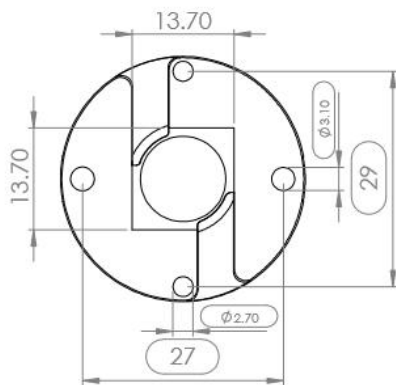
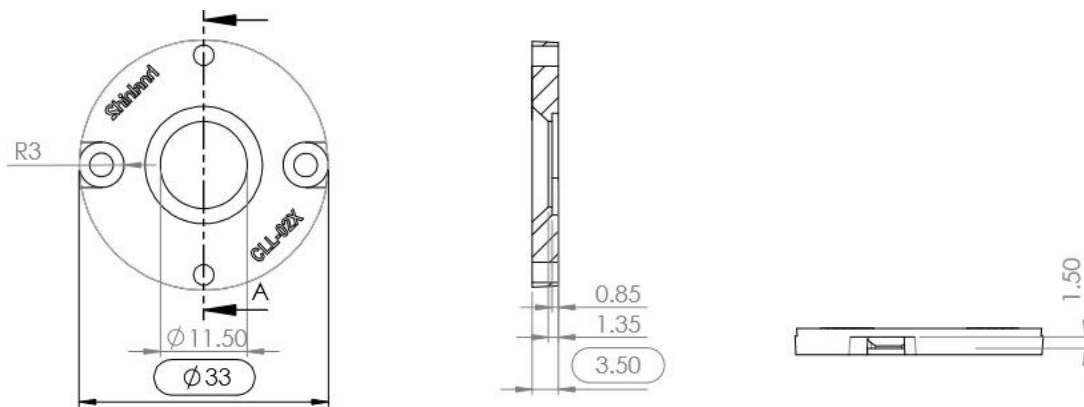
Measure Unit: mm



Dimensional Figure

SL-CLL02X-HD-B

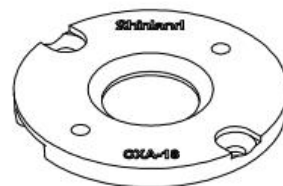
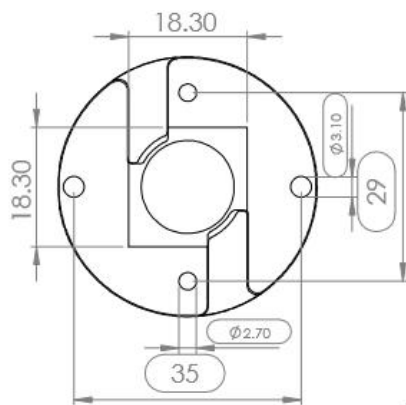
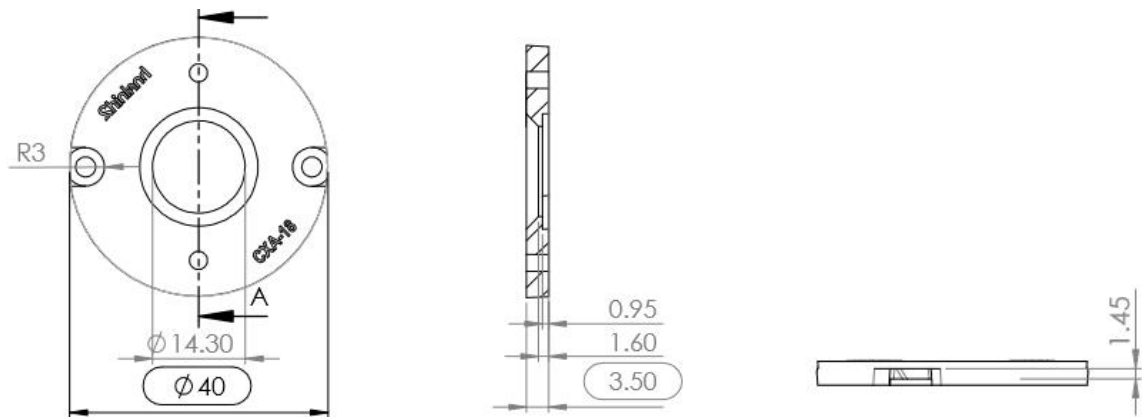
Measure Unit: mm



Dimensional Figure

SL-CXA18-HD-B

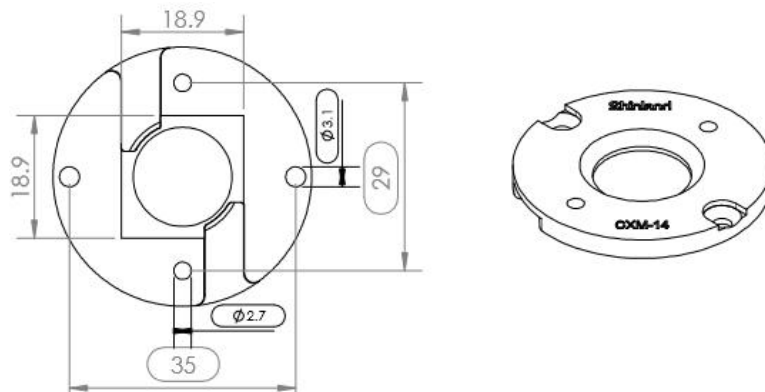
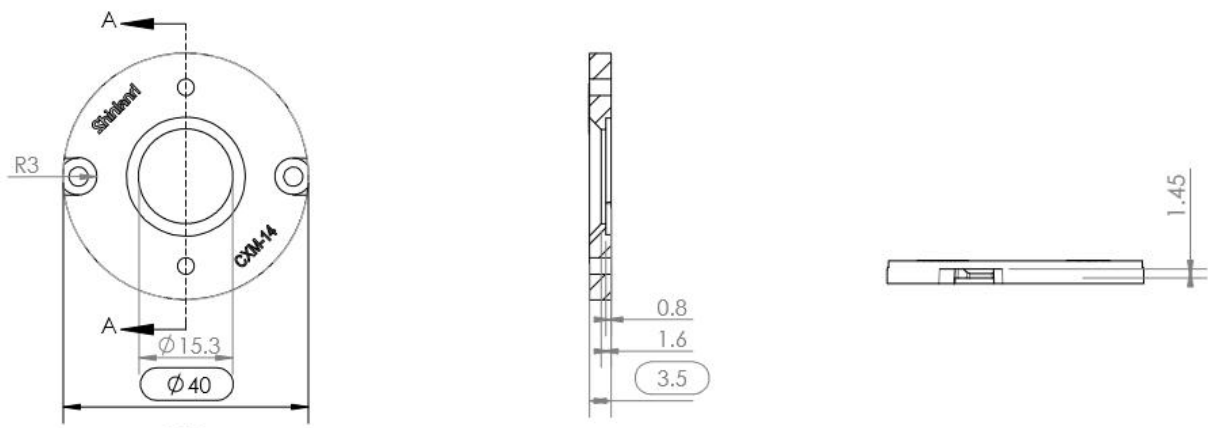
Measure Unit: mm



Dimensional Figure

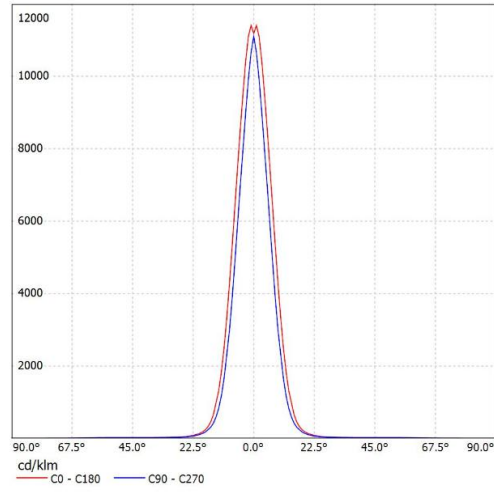
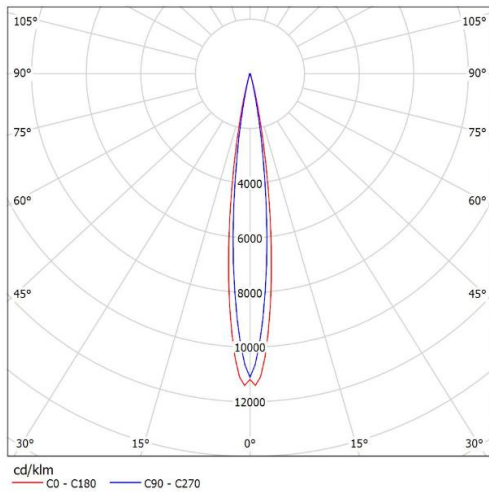
SL-CXM-14-HD-B

Measure Unit: mm

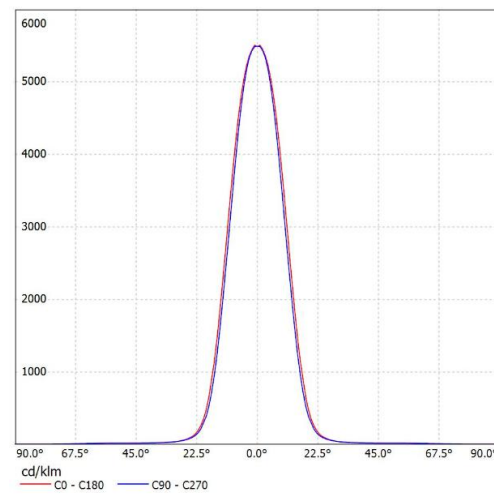
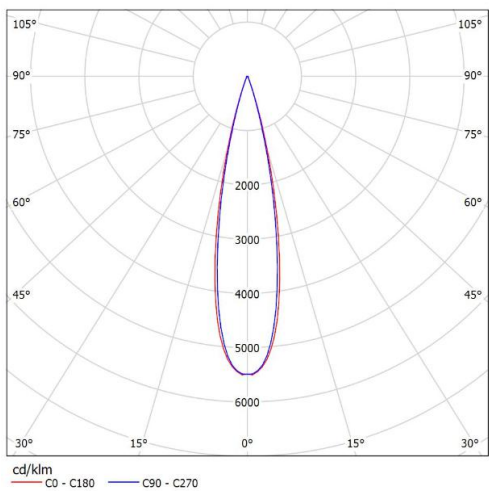


Distribution Curve Flux

SL-D-075DA&SL-CLL02X-HD-B



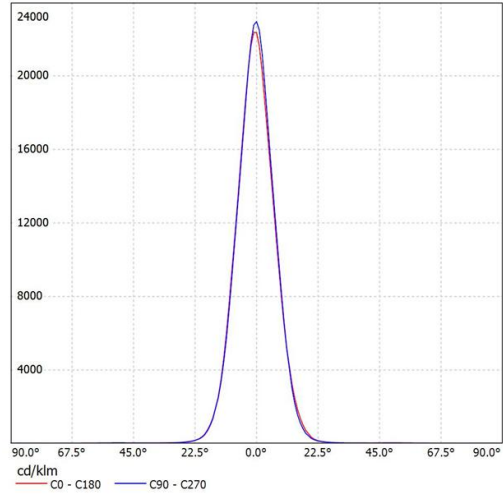
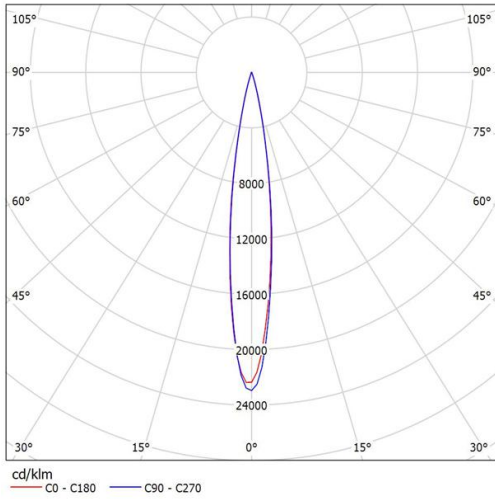
SL-D-075DA-S
K:13.31cd/lm,LED:CLL02X



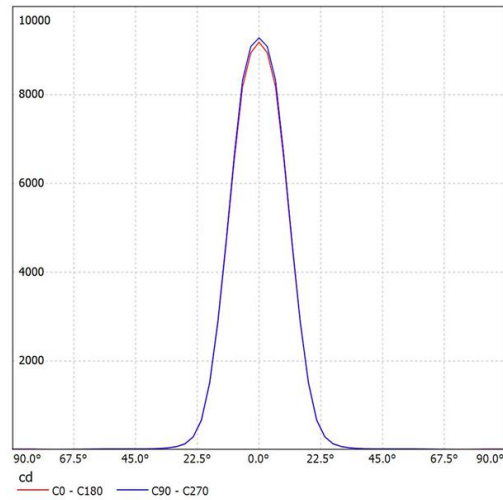
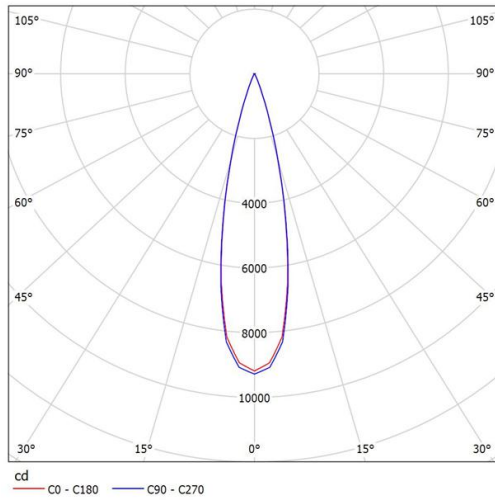
SL-D-075DA-M
K:6.22cd/lm,LED:CLL02X

Distribution Curve Flux

SL-D-075DA&SL-CXA18-HD-B



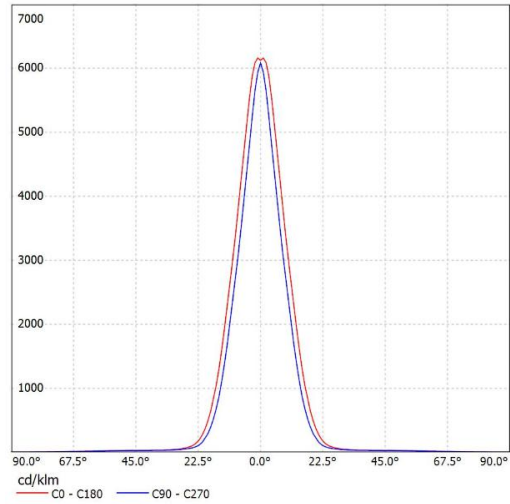
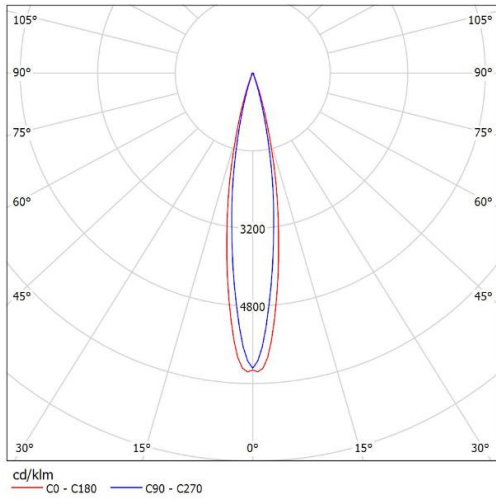
SL-D-075DA-S
K:11.43cd/lm,LED:CXA1820



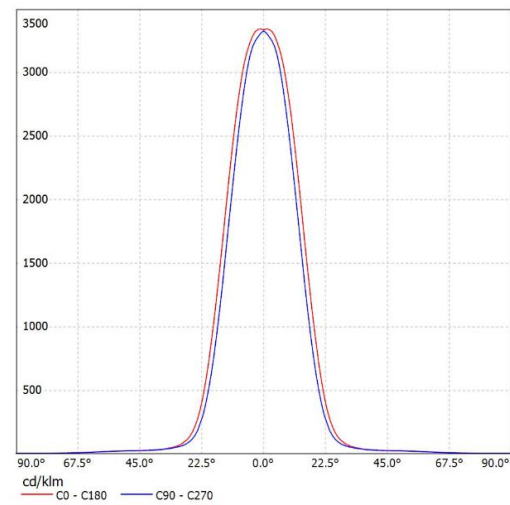
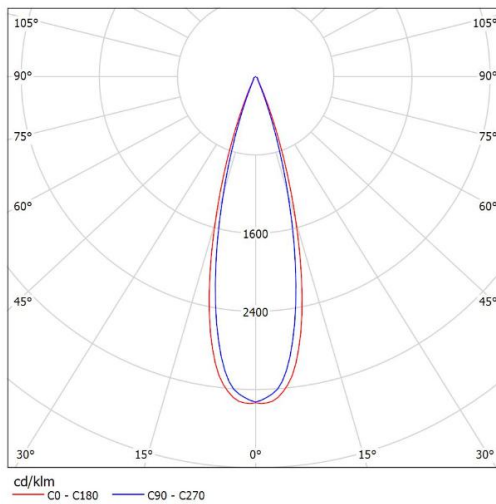
SL-D-075DA-M
K:5.54cd/lm,LED:CXA1820

Distribution Curve Flux

SL-D-075DA&SL-CXM-14-HD-B



SL-D-075DA-S
K:7.17cd/lm,LED:CXM-14 Gen3



SL-D-075DA-M
K:3.75cd/lm,LED:CXM-14 Gen3

Package Description

SL-D-075DA

PART NO.	Number Per Box (pcs)	Box Weigh (kg)	BOX SIZE (cm)
SL-D-075DA-S	320	26.1	70*37*38
SL-D-075DA-M	320	25.8	70*37*38

Notes

- It is not allowed to scrub the reflective surface. If there is dust on the surface, please clean by soft cotton with little water.
 - It is forbidden to clean with industrial solvent such as ethanol.
 - Storage temperature: 0°C-40°C, and humidity:30%-95%
 - Keep reflectors in package to void the dust.
 - Prohibit the reflector touch with acid or alkaline solvent
-

About Shinland

Shenzhen Shinland Co. Ltd,one of the longest and most professional company in lighting optical field,have 20 years experience.Different from other factory which only have simple process, all aspects included R&D,making mold,injection molding ,vacuum coating and market support are our company own vertically integrated production .

Insisting on 'Quality First, Service First' and pragmatic, enterprising spirit,building the market by quality, casting our brand by credibility and integrity ,Shinland now become the leading supplier of lighting optical solution in China.