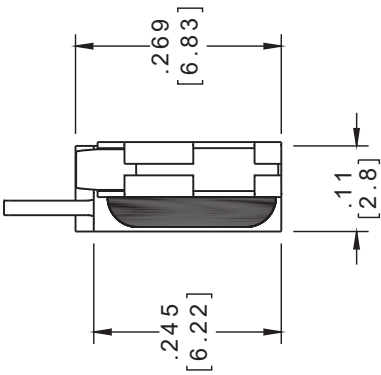
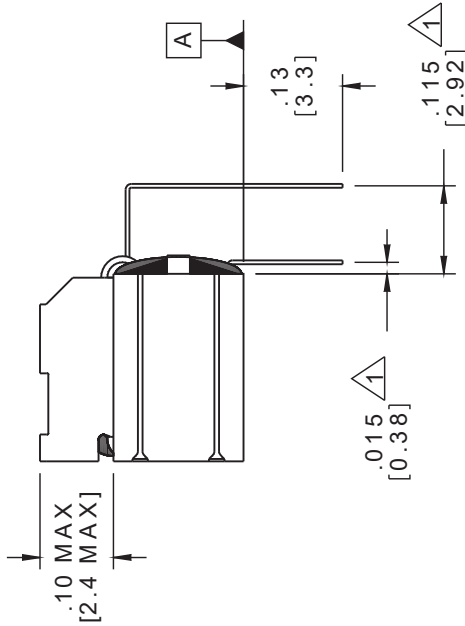
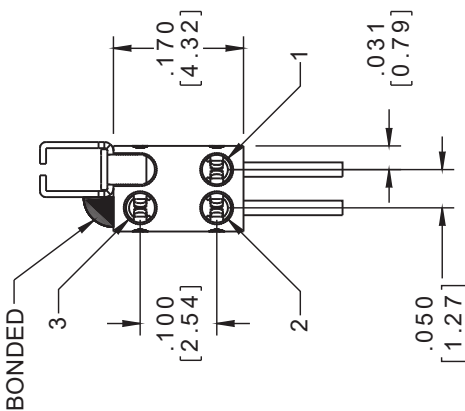


PART NO.	A 107592-001	REV	ECO	DATE	APP
		A	102418	03-08-16	TLM

.019 X .005 TYP,
[0.48] [0.13]
SOLDER COATED



ACTUAL SIZE



NOTE:

1 TAIL DIMENSIONS APPLY AT PLANE A

DIMENSIONS IN [] ARE IN MILLIMETERS UNLESS OTHERWISE NOTED AND ARE FOR REFERENCE ONLY

DRP	THIRD ANGLE	THIS DRAWING CONTAINS CONFIDENTIAL AND PROPRIETARY INFORMATION WHICH IS THE PROPERTY OF OMNETICS CONNECTOR CORP. THIS DOCUMENT MAY NOT BE DUPLICATED, OR DISCLOSED FOR ANY PURPOSE, WITHOUT WRITTEN PERMISSION FROM OMNETICS CONNECTOR CORP.		
CDW	TOLERANCES - UNLESS OTHERWISE NOTED	DFTM: HV	DATE	TITLE:
	DIMENSIONS IN INCHES	CHKD.	DATE	(3) PIN MALE DUAL ROW CONNECTOR W/LATCH
	2 PL DEC ± .01	APP'D.	DATE	
	3 PL DEC ± .005			
	4 PL DEC ± .0005			
	ANGLES ± 1°			

REF:

OMNETICS	CAGE CODE	61873
CONNECTOR CORPORATION	DWG NO.	A107592-001
7260 COMMERCE CIRCLE EAST	SHEET 1 OF 1	REV
MINNEAPOLIS, MN 55432	SCALE: 4:1	A
WWW.OMNETICS.COM		