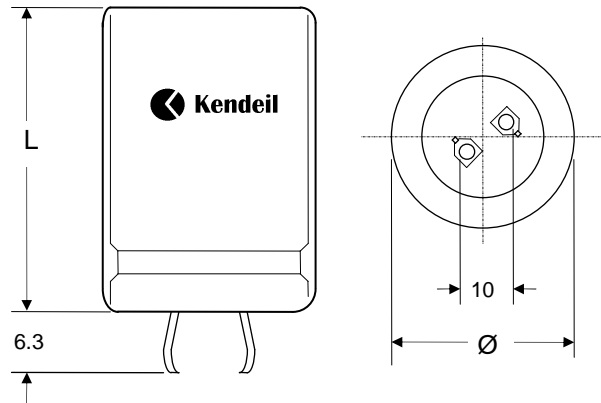


CAPACITOR SPECIFICATION	KENDEIL part number: K754008210PM0E050
--------------------------------	--

PHISICAL DIMENSIONS

- * Diameter [mm] ..35..... ±1
- * Length [mm] ...50..... ±2


ELECTRICAL PARAMETERS

* Nominal Capacitance820...	μF at 100 Hz
* Tolerance	± 20%
* Temperature range	-40°C to +1 05°C
* Rated Voltage / Surge Voltage	400/440	Vdc
* Maximum Tang. δ0.09	at 100 Hz
* Typical ESR114	mΩ at 100 Hz
* Typical Impedance59	mΩ at 10 KHz
* Maximum Leakage Current1.85	mA after 5 mins
* Maximum Ripple Current2.9	A rms at 105°C
* Useful life	>5000	Hours at 105°C
* Reference Standards	CECC 30.301.042 IEC 384.4 Long Life Grade DIN 41248 DIN 45910/12	

When ambient temperature and ripple frequency are different from 105°C and 100 Hz, ripple current shall be multiplied by following compensating factor:

Vr dc	FREQUENCY					AMBIENT TEMPERATURE							
	50 Hz	100 Hz	500Hz	1KHz	>=10 KHz	35°C	45°C	55°C	6 5°C	75°C	85°C	95°C	105°C
0 - 25 V	0.91	1.00	1.15	1.15	1.20	3.0	2.8	2.6	2.4	2.2	1.8	1.5	1.0
40 - 100 V	0.88	1.00	1.35	1.40	1.45								
160 - 450 V	0.88	1.00	1.45	1.50	1.55								

APPROVED G. RIGHI

DATE 21/03/17