



LM324

LINEAR INTEGRATED CIRCUIT

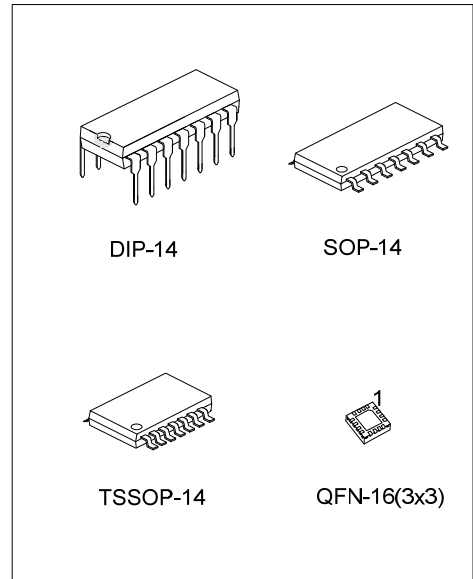
QUAD OPERATIONAL AMPLIFIERS

DESCRIPTION

The UTC **LM324** consists of four independent, high gain internally frequency compensated operational amplifiers which are designed specifically to operated from a single power supply over a wide voltage range. Operation from split power supplies is also possible. Application areas include transducer amplifier, DC gain blocks and all the conventional OP amp circuits which now can be easily implemented in single power supply system.

FEATURES

- *Internally frequency compensated for unity gain
- *Large DC voltage gain :100dB
- *Wide operating supply range ($V_{CC}=3V\sim 32V$)
- *Input common-mode voltage includes ground
- *Large output voltage swing: From 0V to $V_{CC}-1.5V$
- *Power drain suitable for battery operation



ORDERING INFORMATION

Ordering Number		Package	Packing
Lead Free	Halogen-Free		
LM324L-D14-T	LM324G-D14-T	DIP-14	Tube
LM324L-S14-R	LM324G-S14-R	SOP-14	Tape Reel
LM324L-P14-R	LM324G-P14-R	TSSOP-14	Tape Reel
LM324L-Q16-3030-R	LM324G-Q16-3030-R	QFN-16(3x3)	Tape Reel

<p>LM324G-D14-T</p> <p>(1)Packing Type (2)Package Type (3)Green Package</p>	<p>(1) T: Tube, R: Tape Reel (2) DIP: DIP-14, S14: SOP-14, P14: TSSOP-14 Q16-3030: QFN-16(3x3) (3) G: Halogen Free and Lead Free, L: Lead Free</p>
---	--

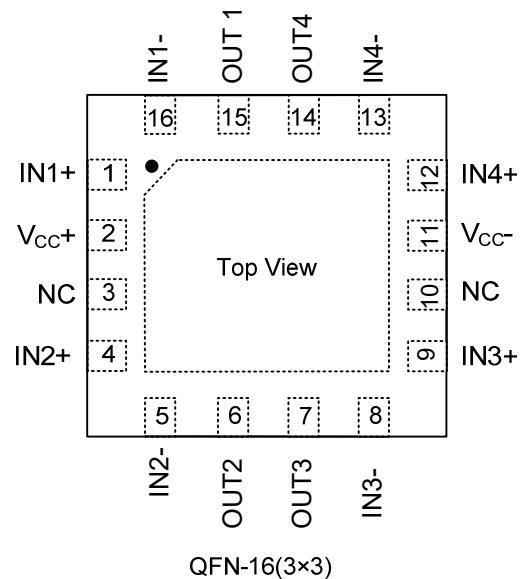
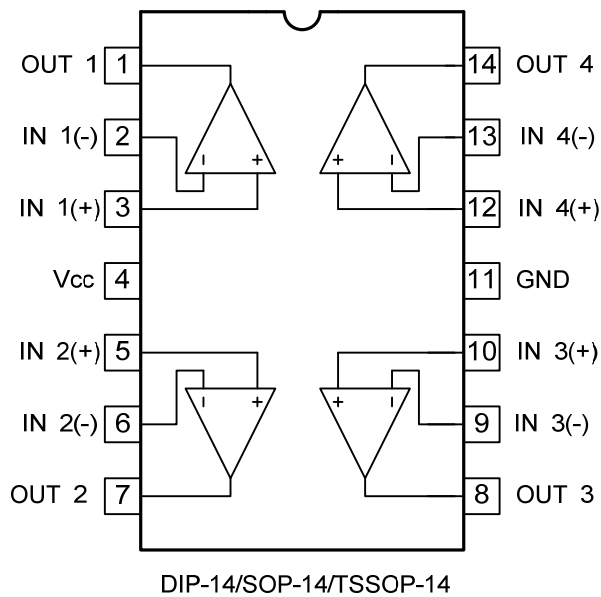
LM324

LINEAR INTEGRATED CIRCUIT

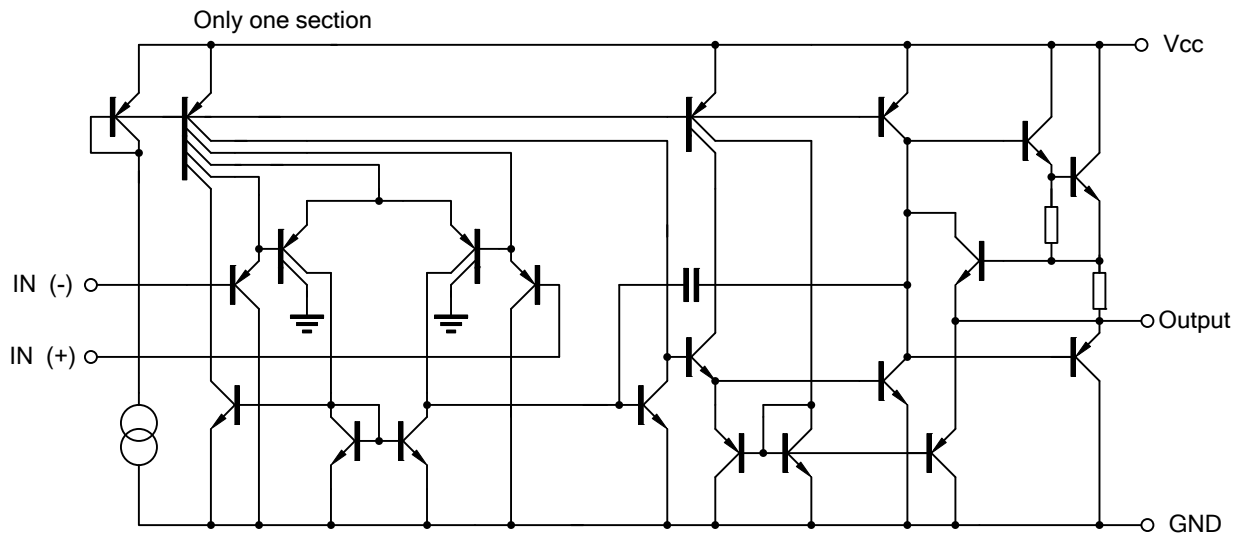
MARKING

PACKAGE	MARKING
DIP-14	
SOP-14 TSSOP-14	
QFN-16(3x3)	

PIN DESCRIPTION



■ BLOCK DIAGRAM



■ ABSOLUTE MAXIMUM RATINGS

PARAMETER		SYMBOL	RATINGS	UNIT
Supply Voltage		V_{CC}	± 16 or 32	V
Differential Input Voltage		$V_{I(DIFF)}$	± 32	V
Input Voltage		V_{IN}	-0.3 ~ +32	V
Power Dissipation	DIP-14	P_D	800	mW
	SOP-14		580	mW
	TSSOP-14		460	mW
	QFN-16(3×3)		1300	mW
Operating Temperature		T_{OPR}	-20 ~ +85	°C
Storage Temperature		T_{STG}	-65 ~ +150	°C

Note: Absolute maximum ratings are those values beyond which the device could be permanently damaged. Absolute maximum ratings are stress ratings only and functional device operation is not implied.

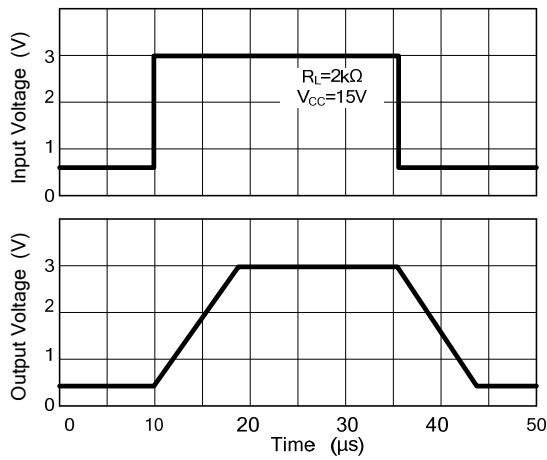
■ ELECTRICAL CHARACTERISTICS

($V_{CC}=5.0V$, All voltage referenced to GND unless otherwise specified.)

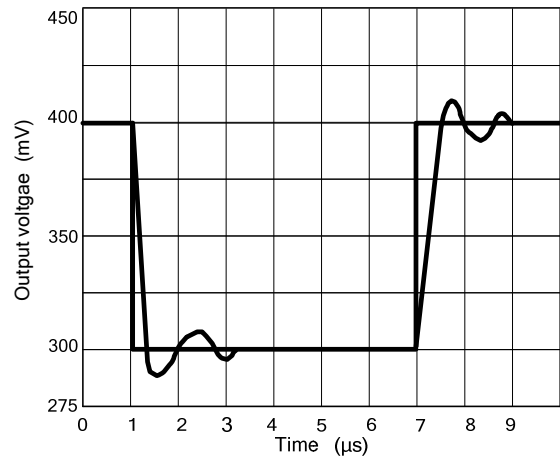
PARAMETER	SYMBOL	TEST CONDITIONS	MIN	TYP	MAX	UNIT
Input Offset Voltage	$V_{I(OFF)}$	$V_{CM}=0V$ to $V_{CC}-1.5V$ $V_{O(P)}=1.4V$, $R_S=0\Omega$			5.0	mV
Input Offset Current	$I_{I(OFF)}$				50	nA
Input Bias Current	$I_{I(BIAS)}$				250	nA
Input Common Mode Voltage	$V_{I(CM)}$	$V_{CC}=30V$	0		$V_{CC}-1.5$	V
Power Supply Current	I_{CC}	$R_L=\infty$, $V_{CC}=30V$		1.0	3.0	mA
		$V_{CC}=5V$		0.7	1.2	mA
Large Signal Voltage Gain	G_V	$V_{CC}=15V$, $R_L \geq 2K\Omega$ $V_{O(P)}=1V \sim 11V$	25	100		V/mV
Output Voltage Swing	V_{OH}	$V_{CC}=30V$, $R_L=2K\Omega$	26			V
		$V_{CC}=30V$, $R_L=10K\Omega$	27	28		V
	V_{OL}	$V_{CC}=5V$, $R_L>10K\Omega$		5	20	mV
Common Mode Rejection Ratio	CMRR		65	75		dB
Power Supply Rejection Ratio	PSRR		65	100		dB
Channel Separation	CS	$f=1KHZ \sim 20KHZ$		120		dB
Short Circuit Current to Ground	I_{SC}			40	60	mA
Output Current	I_{SOURCE}	$V_I(+)=1V$, $V_I(-)=0V$ $V_{CC}=15V$, $V_{O(P)}=2V$	20	40		mA
		$V_I(+)=0V$, $V_I(-)=1V$ $V_{CC}=15V$, $V_{O(P)}=2V$	10	13		mA
	I_{SINK}	$V_I(+)=0V$, $V_I(-)=1V$ $V_{CC}=15V$, $V_{O(P)}=200mV$	12	45		μA
Differential Input Voltage	$V_{I(DIFF)}$				V_{CC}	V

TYPICAL CHARACTERISTICS (Cont.)

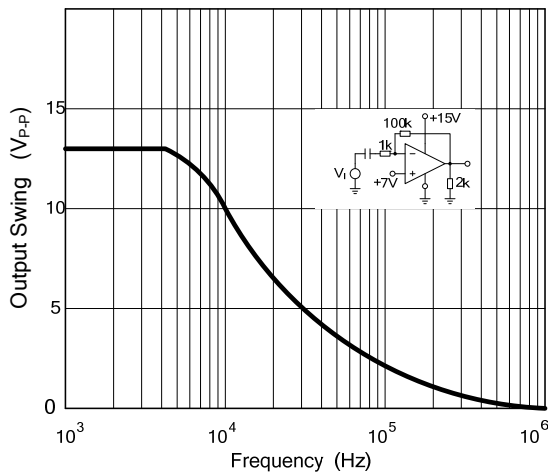
Voltage Follower Pulse Response



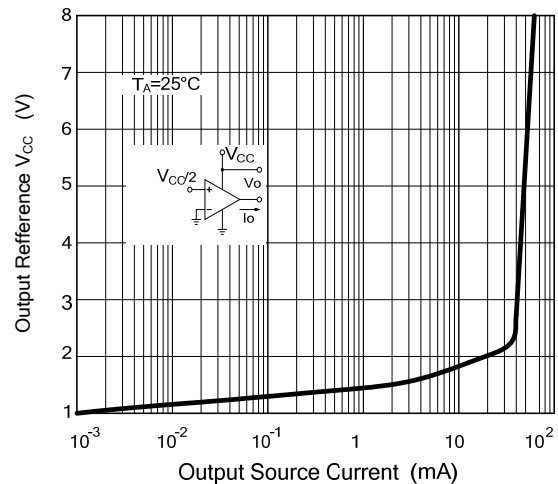
Voltage Follower pulse response (small signal)



Large Signal Frequency Response



Output Characteristics Current Sourcing



UTC assumes no responsibility for equipment failures that result from using products at values that exceed, even momentarily, rated values (such as maximum ratings, operating condition ranges, or other parameters) listed in products specifications of any and all UTC products described or contained herein. UTC products are not designed for use in life support appliances, devices or systems where malfunction of these products can be reasonably expected to result in personal injury. Reproduction in whole or in part is prohibited without the prior written consent of the copyright owner. UTC reserves the right to make changes to information published in this document, including without limitation specifications and product descriptions, at any time and without notice. This document supersedes and replaces all information supplied prior to the publication hereof.