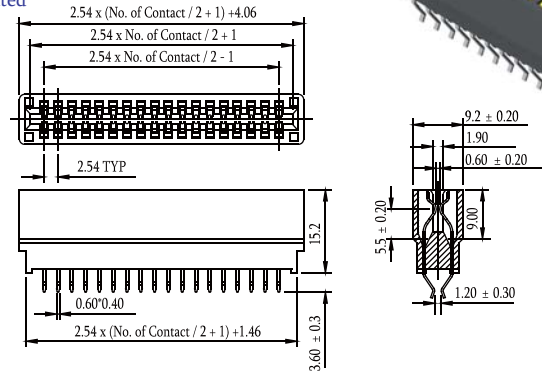


Cardedge 2.54mm Kink / Right Angle / Straight Type

Specifications
 Current Rate:3 AMP
 Insulation Resistance:5000MΩ Min.
 Contact Resistance:20mΩ Max.
 Dielectric Voltage:500V AC for one minute
 Operation Temperature:-55°C to +105°C

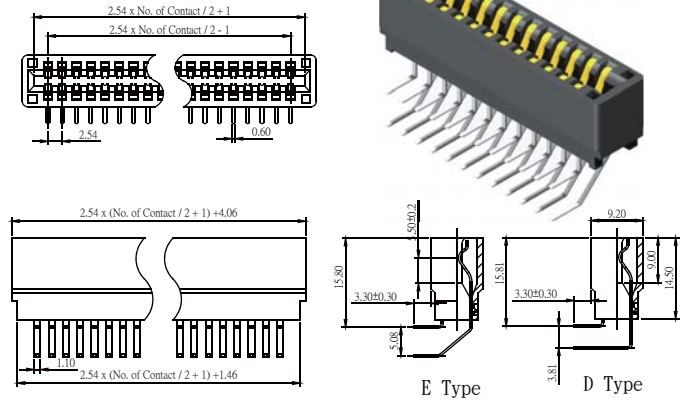
Material
 Insulator:Polyester,UL 94V-0
 ©Standard:P.B.T
 Terminal:Copper Alloy
 Plated:Selective Plated

Circuits	A	B	C	D	Circuits	A	B	C	D
6	5.08	10.16	14.22	11.62	48	58.42	63.50	67.56	64.96
8	7.62	12.70	16.76	14.16	50	60.96	66.04	70.10	67.50
10	10.16	15.24	19.30	16.70	52	63.50	68.58	72.64	70.04
12	12.70	17.78	21.84	19.24	54	66.04	71.12	75.18	72.58
14	15.24	20.32	24.38	21.78	56	68.58	73.66	77.72	75.12
16	17.78	22.86	26.92	24.32	58	71.12	76.20	80.26	77.66
18	20.32	25.40	29.46	26.86	60	73.66	78.74	82.80	80.20
20	22.86	27.94	32.00	29.40	62	76.20	81.28	85.34	82.74
22	25.40	30.48	34.54	31.94	64	78.74	83.82	87.88	85.28
24	27.94	33.02	37.08	34.48	66	81.28	86.36	90.42	87.82
26	30.48	35.56	39.62	37.02	68	83.82	88.90	92.96	90.36
28	33.02	38.10	42.16	39.56	70	86.36	91.44	95.50	92.90
30	35.56	40.64	44.70	42.10	72	88.90	93.98	98.04	95.44
32	38.10	43.18	47.24	44.64	80	99.06	104.14	108.20	106.60
34	40.64	45.72	49.78	47.18	86	106.68	111.76	115.82	113.22
36	43.18	48.26	52.32	49.72	92	114.30	119.38	123.44	120.84
38	45.72	50.80	54.86	52.26	98	121.92	127.00	131.06	128.46
40	48.26	53.34	57.40	54.80	100	124.46	129.54	133.60	131.00
42	50.80	55.88	59.94	57.34	104	129.64	134.82	138.68	136.08
44	53.34	58.42	62.48	59.88	110	137.16	142.24	146.30	143.70
46	55.88	60.96	65.02	62.42	120	149.96	154.94	159.00	156.40



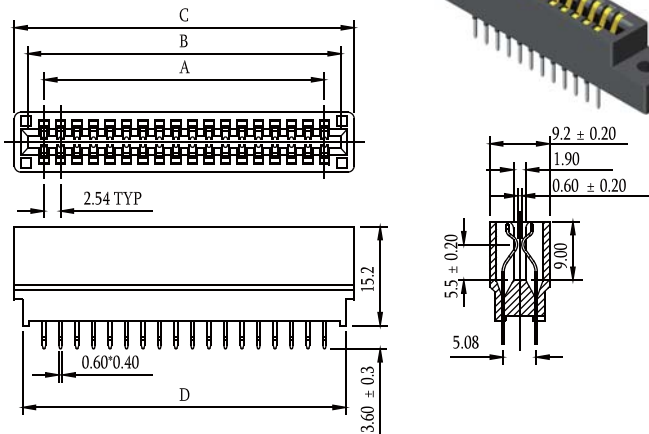
Part No.:EC1K-XXE-B-L

Circuits	A	B	C	D	Circuits	A	B	C	D
6	5.08	10.16	14.22	11.62	48	58.42	63.50	67.56	64.96
8	7.62	12.70	16.76	14.16	50	60.96	66.04	70.10	67.50
10	10.16	15.24	19.30	16.70	52	63.50	68.58	72.64	70.04
12	12.70	17.78	21.84	19.24	54	66.04	71.12	75.18	72.58
14	15.24	20.32	24.38	21.78	56	68.58	73.66	77.72	75.12
16	17.78	22.86	26.92	24.32	58	71.12	76.20	80.26	77.66
18	20.32	25.40	29.46	26.86	60	73.66	78.74	82.80	80.20
20	22.86	27.94	32.00	29.40	62	76.20	81.28	85.34	82.74
22	25.40	30.48	34.54	31.94	64	78.74	83.82	87.88	85.28
24	27.94	33.02	37.08	34.48	66	81.28	86.36	90.42	87.82
26	30.48	35.56	39.62	37.02	68	83.82	88.90	92.96	90.36
28	33.02	38.10	42.16	39.56	70	86.36	91.44	95.50	92.90
30	35.56	40.64	44.70	42.10	72	88.90	93.98	98.04	95.44
32	38.10	43.18	47.24	44.64	80	99.06	104.14	108.20	106.60
34	40.64	45.72	49.78	47.18	86	106.68	111.76	115.82	113.22
36	43.18	48.26	52.32	49.72	92	114.30	119.38	123.44	120.84
38	45.72	50.80	54.86	52.26	98	121.92	127.00	131.06	128.46
40	48.26	53.34	57.40	54.80	100	124.46	129.54	133.60	131.00
42	50.80	55.88	59.94	57.34	104	129.64	134.82	138.68	136.08
44	53.34	58.42	62.48	59.88	110	137.16	142.24	146.30	143.70
46	55.88	60.96	65.02	62.42	120	149.96	154.94	159.00	156.40



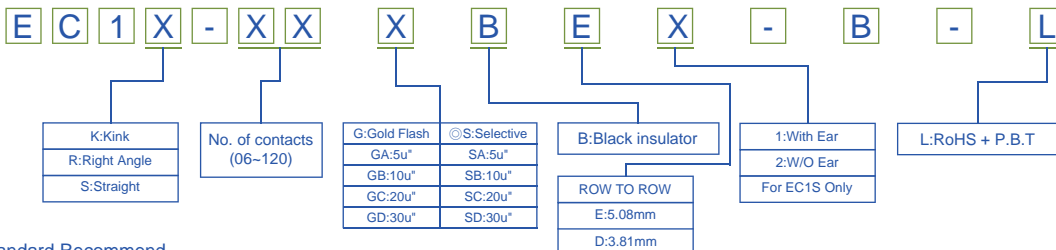
Part No.:EC1R-XXX-B-L

Circuits	A	B	C	D	Circuits	A	B	C	D
6	5.08	10.16	14.22	11.62	48	58.42	63.50	67.56	64.96
8	7.62	12.70	16.76	14.16	50	60.96	66.04	70.10	67.50
10	10.16	15.24	19.30	16.70	52	63.50	68.58	72.64	70.04
12	12.70	17.78	21.84	19.24	54	66.04	71.12	75.18	72.58
14	15.24	20.32	24.38	21.78	56	68.58	73.66	77.72	75.12
16	17.78	22.86	26.92	24.32	58	71.12	76.20	80.26	77.66
18	20.32	25.40	29.46	26.86	60	73.66	78.74	82.80	80.20
20	22.86	27.94	32.00	29.40	62	76.20	81.28	85.34	82.74
22	25.40	30.48	34.54	31.94	64	78.74	83.82	87.88	85.28
24	27.94	33.02	37.08	34.48	66	81.28	86.36	90.42	87.82
26	30.48	35.56	39.62	37.02	68	83.82	88.90	92.96	90.36
28	33.02	38.10	42.16	39.56	70	86.36	91.44	95.50	92.90
30	35.56	40.64	44.70	42.10	72	88.90	93.98	98.04	95.44
32	38.10	43.18	47.24	44.64	80	99.06	104.14	108.20	106.60
34	40.64	45.72	49.78	47.18	86	106.68	111.76	115.82	113.22
36	43.18	48.26	52.32	49.72	92	114.30	119.38	123.44	120.84
38	45.72	50.80	54.86	52.26	98	121.92	127.00	131.06	128.46
40	48.26	53.34	57.40	54.80	100	124.46	129.54	133.60	131.00
42	50.80	55.88	59.94	57.34	104	129.64	134.82	138.68	136.08
44	53.34	58.42	62.48	59.88	110	137.16	142.24	146.30	143.70
46	55.88	60.96	65.02	62.42	120	149.96	154.94	159.00	156.40



Part No.:EC1S-XXE-B-L

ORDER INFORMATION



©: Standard Recommend