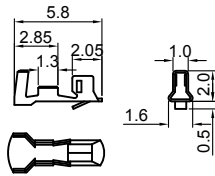


Dept	Qty
DC	1
ED	1
IE	1
ISO	1
PD	1
R&D	1
SD	1
QA	1
QC	1
QE	1

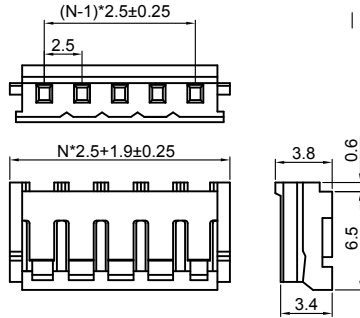
Female Terminal



T - DS1069-01 - S C X 0 0

Contact Plating
6: Tin

Female Housing

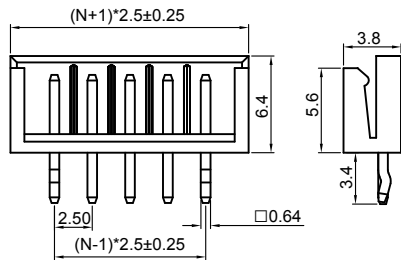


I - DS1069-01 - S C X 0 X

No. of Hole
02~20

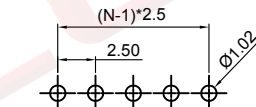
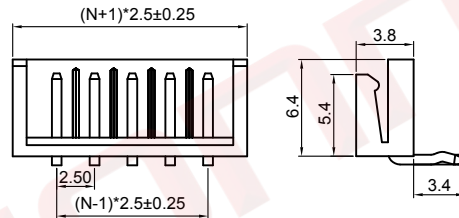
Color of Housing
W: White

Male V/T Type



N=No. of contact

Male R/A Type



Recommend PCB layout
(Tolerance:±0.05)

REV.	DESCRIPTION	DRAWN	CHECKED	APPROVED
A	NEW RELEASE	LL 07/06/06'		LJC 07/06/06'
C	DRAWING UPDATE	JLZ 05/04/21'		

Notes:

Specifications:

1. Contact Resistance: 20mΩ Max.
2. Insulation Resistance: 1000MΩ Min.
3. Dielectric Withstanding Voltage: 600V AC(rms) For 1 Minute.
4. Current Rating:3A.
5. Temperature: -25°C~+85°C.

Materials:

1. Contact Material: Copper Alloy.
2. Contact Plating: Tin Plating Over Nickel.
3. Insulator Material: Nylon 66,White.

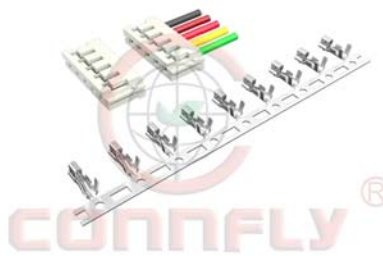
Wire range: AWG#30~#22

Recommend PC board thickness:1.6mm

Product Number Code:

DS1069-01 - X X X X X

- Contact Plating
6: Tin 8: Full gold flash
- Housing Color
W: White
- Mounting type
V: V/T type
R: R/A type
- Connector type
M: Male
- No. of contact
2~20

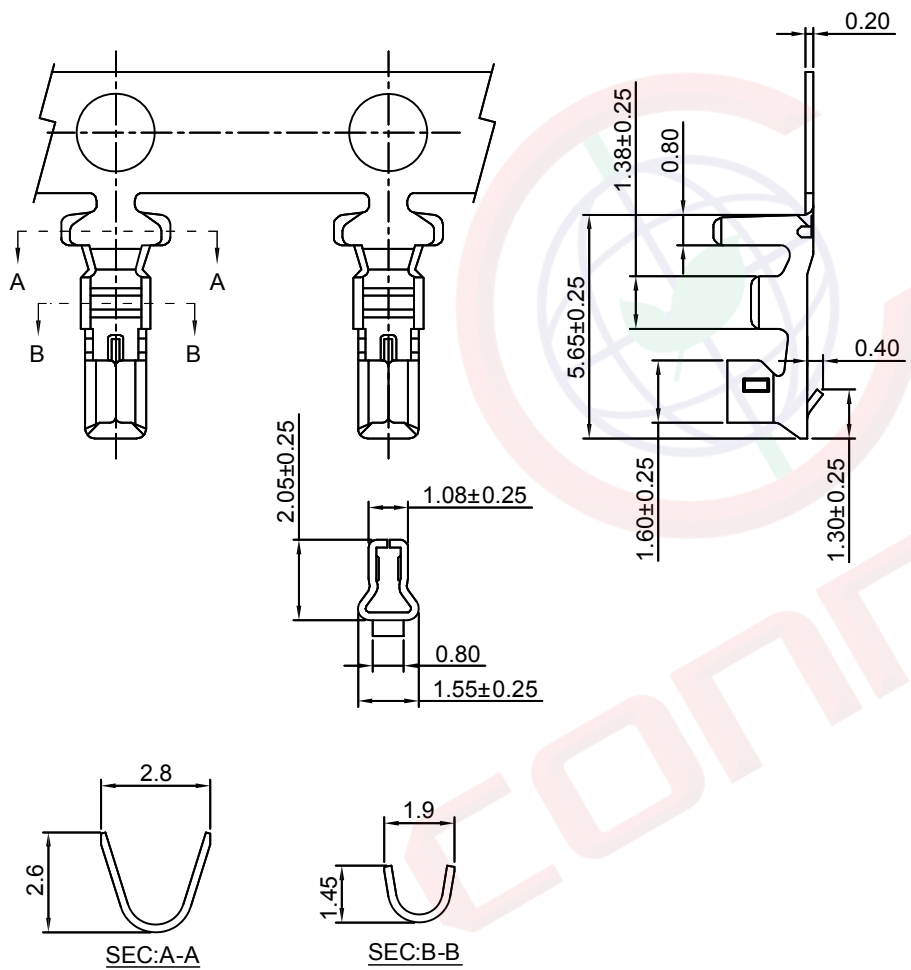


(Series Image-Reference Only)

GENERAL TOLERANCE		ANGLE TOLERANCE		PROJECTION		TITLE	
X.	±0.60	X.	±5°	UNITS	mm	2.50mm Wafer & Housing EH Type	
.X	±0.38	.X	±3°	SHEET SIZE	A4	SERIES	DS1069-01 SERIES
.XX	±0.25	.XX	±2°	晨翔电子有限公司 CONNFLY CONNFLY ELECTRONIC CO. LTD			
DRAWING TYPE		CUSTOMER					
SCALE	1:1	SHEET	1 OF 1				
DRAWING NO.		C-DS1069-01-XXXXX-C					

此图提供的信息来自宁波晨翔电子有限公司并且是保密的。禁止向收件人以外的任何一方披露信息。本文包含的知识产权及其权利（包括但不限于商标、专利、版权、商业机密和技术知识）仅由晨翔或其附属公司所有。未经晨翔事先书面同意，严禁未经授权的使用或修改。此图提供的知识产权仅供参考，并不构成以任何格式或方式使用其授权。晨翔可以自行决定强制执行其知识产权；不履行或延迟行使这些权利并不构成对这些权利的放弃。

REV.	DESCRIPTION	DRAWN	CHECKED	APPROVED
A	NEW RELEASE	JLZ 07/10/19'		



NOTES:

1. MAIN SPECIFICATIONS

- . Terminal material: Copper Alloy
- . Wire range: AWG#30~#22
- . Rated voltage: 250V
- . Rated current: 3A(22AWG)
- . Contact resistance: 30mΩ Max
- . Insulation resistance: 1000MΩ Min
- . Withstanding voltage: 1000V,AC 1 minute
- . Temperature range: -25 ~ +85°C

2. PRODUCT NUMBER CODE:

T-DS1069-01- S C 6 0 0

└── Contact Plating
6: Tin

GENERAL TOLERANCE		ANGLE TOLERANCE		PROJECTION		TITLE	
X.	±0.60	X.	±5°	UNITS	mm	EH Female Terminal	
.X	±0.38	.X	±3°	SHEET SIZE	A4	SERIES	DS1069-01 SERIES
.XX	±0.25	.XX	±2°	晨翔电子有限公司 CONNFLY CONNFLY ELECTRONIC CO. LTD			
DRAWING TYPE		COMPONENTS					
SCALE	1:1	SHEET	1 OF 1				
DRAWING NO.		T-DS1069-01-SCX00-A					