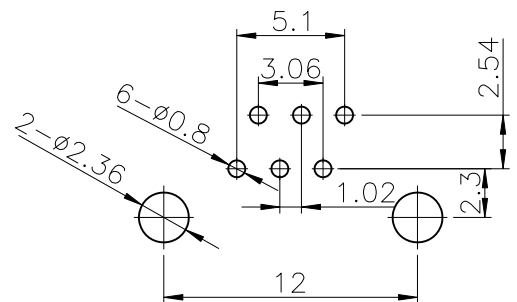
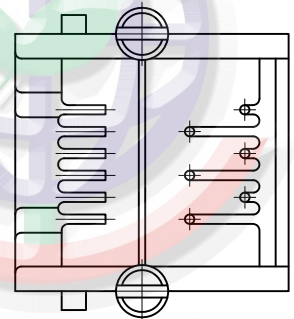


REV.	DESCRIPTION	DRAWN	CHECKED	APPROVED
A	NEW RELEASE	LL 06/26/06'		LJC 06/26/06'
B	DRAWING UPDATE	JLZ 08/17/16'		



RECOMMEND PCB LAYOUT(TOLERANCE=±0.05)

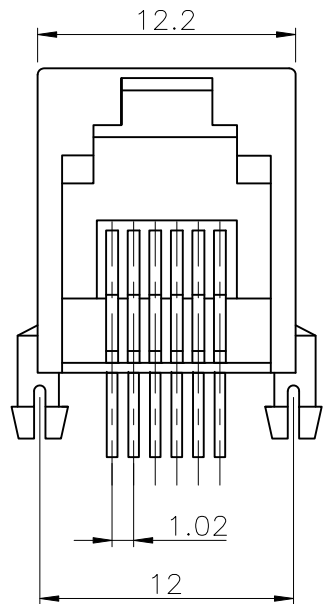


SPECIFICATION

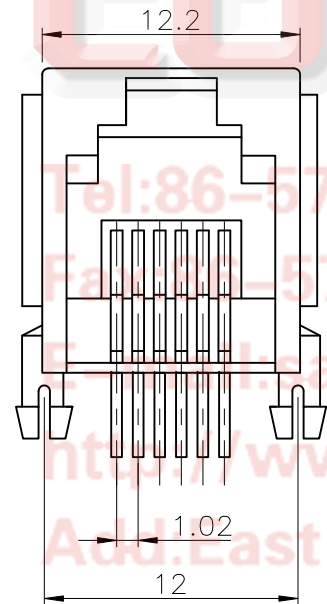
1. Insulation Resistance:1000MΩ Min.
2. Withstand Voltage:500V AC/Minute.
3. Durability:600 Mating Cycles Min.
4. Product Number Code:

DS1133-X X X X X X

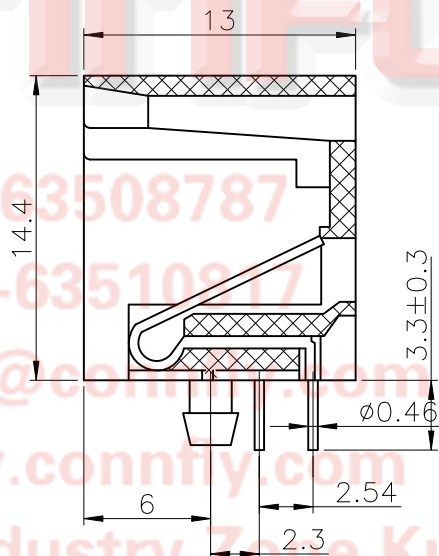
- Ear Support
S:W/ Ear
X:W/O Ear
- Housing Materials
P:PBT
N:NYLON
- Housing Color
A:Gray
B:Black
- Contact Plating
0:Gold Flash
3:3u" Gold
6:6u" Gold
15:15u" Gold
30:30u" Gold
- No.Of Contacts
6:6P6C 4:6P4C 2:6P2C
- Connector Type
S:Socket
- Series No.
DS1133



W/O EAR



W/ EAR



GENERAL TOLERANCE		ANGLE TOLERANCE	
X.	±0.60	X.	±5°
.X	±0.38	.X	±3°
.XX	±0.25	.XX	±2°

DRAWING TYPE	CUSTOMER		
SCALE	1:1	SHEET	1 OF 1
DRAWING NO.	C-DS1133-XXXXXX-B		

PROJECTION		TITLE	PCB JACK 6P	
UNITS	mm	SERIES	DS1133 SERIES	
SHEET SIZE	A4			

晨翔电子有限公司
CONNFly CONNFly ELECTRONIC CO. LTD

CONNFly

Tel:86-574-63508787
 Fax:86-574-63510817
 E-mail:sale@connfly.com
 http://www.connfly.com
 Add:East Industry Zone KuangYan
 Town Cixi Ningbo China
 P.C:315333