

PRODUCT SPECIFICATION

Model No.: FYL-5463BGC1C-L3.2

Descriptions:
■ Dice material: InGaN.
■ Emitting Color: Super bright Bluish Green.
■ Device Outline: Φ5*4 mm ellipse type.
■ Lens Type: Water clear.



CUSTOMER APPROVED SIGNATURES	APPROVED BY	SALES BY	PREPARED BY
		<div style="border: 1px solid red; padding: 5px; display: inline-block;"> Foryard S011 2018.06.27 </div>	<div style="border: 1px solid red; border-radius: 50%; padding: 10px; display: inline-block;"> Foryard E001 2018.06.27 </div>

NINGBO FORYARD OPTOELECTRONICS CO.,LTD.

Add:NO.115 Qixin Road Ningbo Zhejiang China

Zip:315051

Tel: 0086-574-87933652 87927870 87922206

Fax: 0086-574-87927917

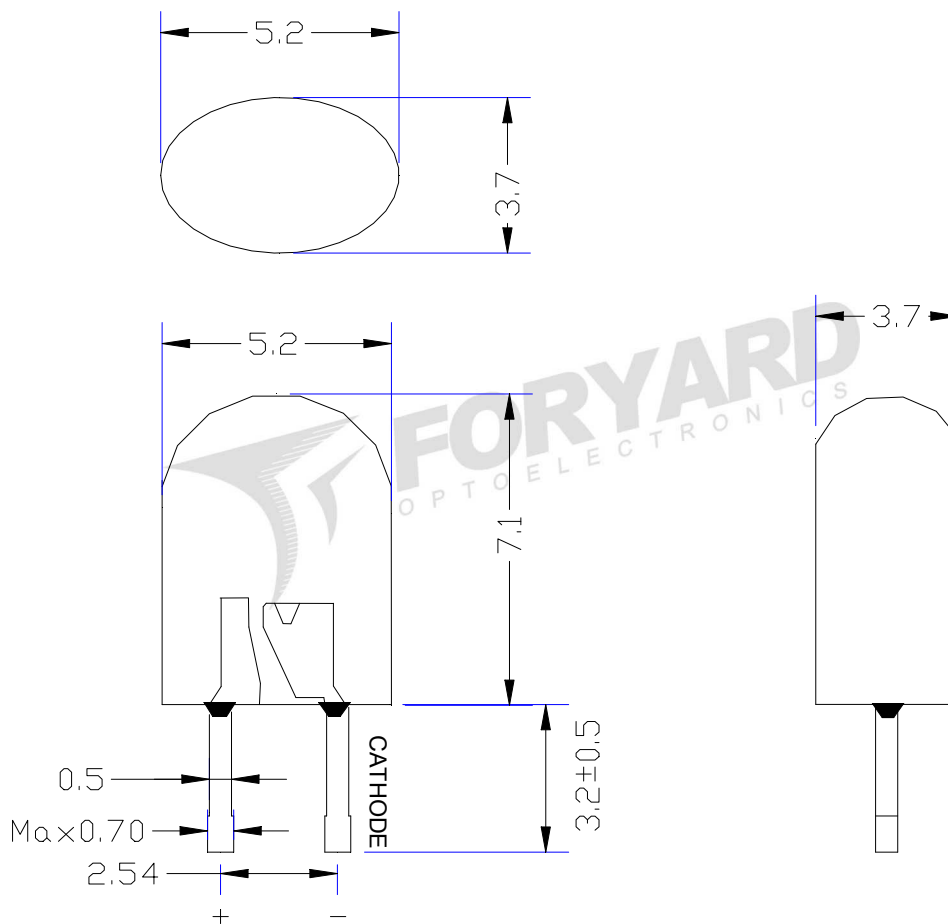
E-mail: Sales@foryard.com (General)

[Http://www.foryard.com](http://www.foryard.com)

■ **Features**

1. Low power consumption.
2. High efficiency.
3. General purpose leads.
4. High intensity.
5. RoHs compliant.

■ **Package configuration**



Notes:

1. All dimensions are millimeters (inches)
2. Tolerance is $\pm 0.25\text{mm} (.010\text{'})$ unless otherwise noted.
3. The specifications, characteristics and technical data described in the datasheet are subject to change without prior notice.

■ Absolute maximum ratings($T_a=25\text{ }^\circ\text{C}$)

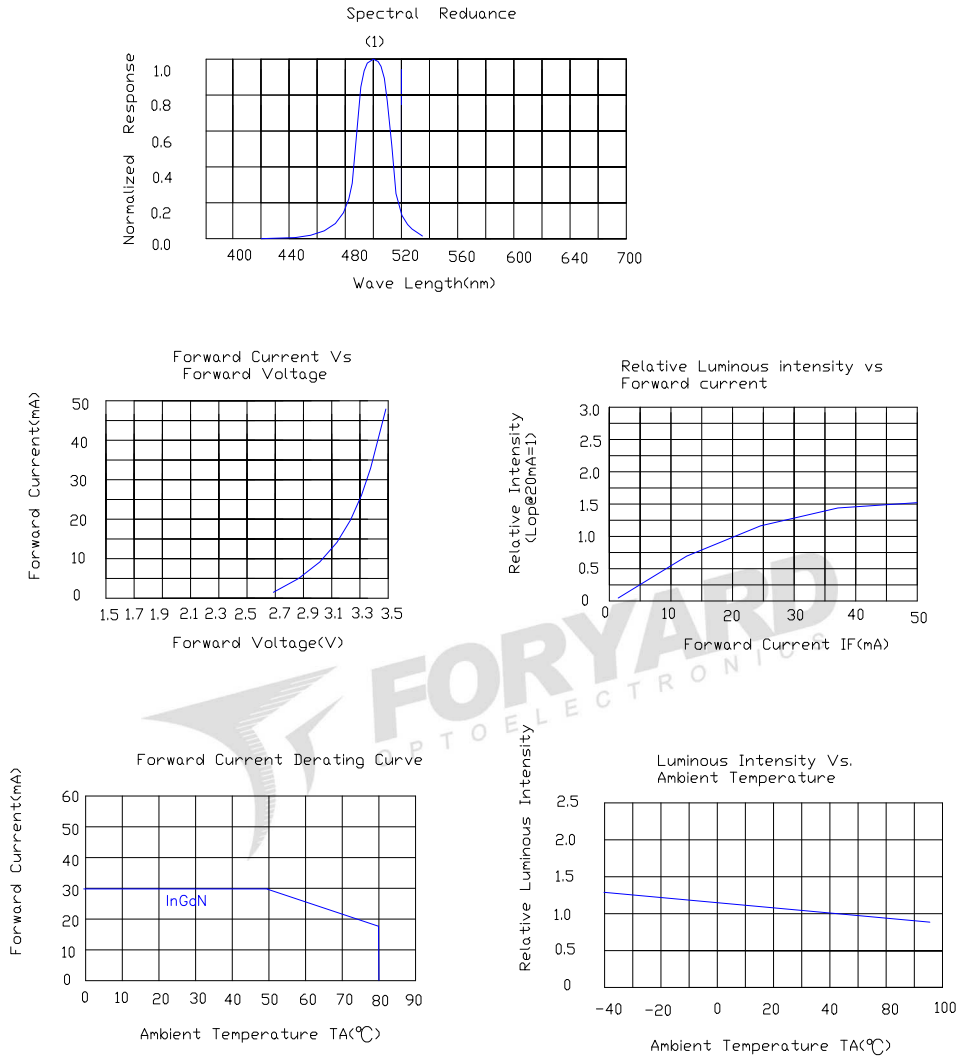
Parameter	MAX.	Unit
Power Dissipation	90	mW
Peak Forward Current (1/10 Duty Cycle, 0.1ms Pulse Width)	100	mA
Continuous Forward Current	25	mA
Derating Linear From 50 $^\circ\text{C}$	0.4	mA/ $^\circ\text{C}$
Reverse Voltage	5	V
Operating Temperature Range	-40 $^\circ\text{C}$ to +85 $^\circ\text{C}$	
Storage Temperature Range	-40 $^\circ\text{C}$ to +100 $^\circ\text{C}$	
Lead Soldering Temperature[4mm(.157") From Body]	260 $^\circ\text{C}$ for 5 Seconds	

■ Electrical and optical characteristics($T_a=25\text{ }^\circ\text{C}$)

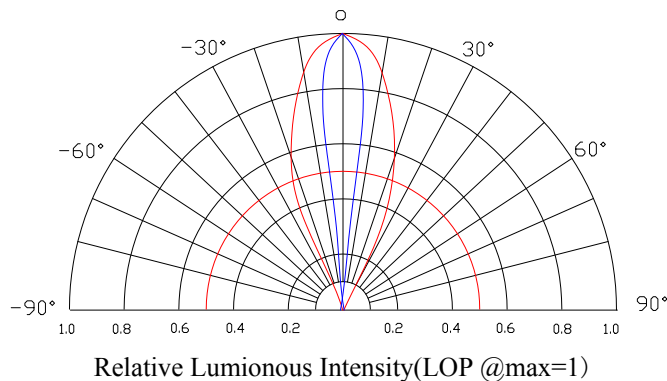
Parameter	Symbol	Min.	Typ.	Max.	Unit	Test Condition
Luminous Intensity	I_v	6000	7500	-	mcd	$I_f=20\text{mA}$
Viewing Angle	$2\theta_{1/2}$	X	40		Deg	
		Y	20			
Peak Emission Wavelength	λ_p	-	500	-	nm	
Dominant Wavelength	λ_d		500	505	nm	
Spectral Line Half-Width	$\Delta\lambda$	-	30	-	nm	
Forward Voltage	V_F	2.6	3.0	3.2	V	
Reverse Current	I_R			10	μA	$V_R=5\text{V}$

■ Typical Electrical Characteristics Curves

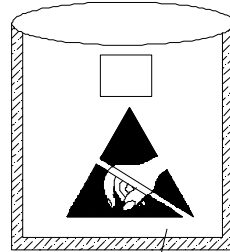
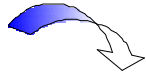
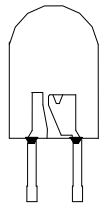
(25 °c Ambient Temperature Unless Otherwise Noted)



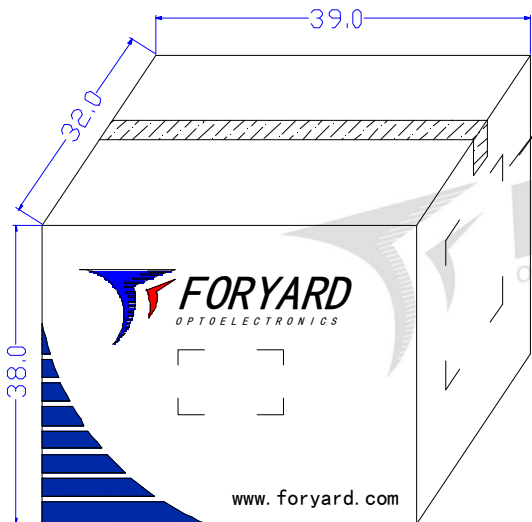
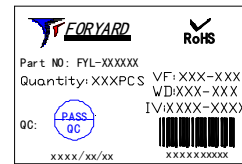
Radiation pattern.



■ LAMP PACKING.

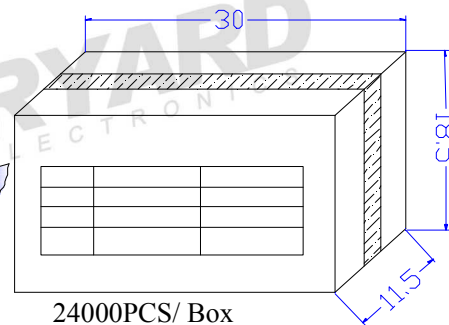


5*4mm 2000PCS/Polybag



144000PCS/ Carton

OUTSIDE LABEL



24000PCS/ Box



OUTSIDE LABEL