



PRODUCT SPECIFICATION

Model No.: FYL-5463NUYD1E-L3.2

Descriptions:
■ Dice material: AlGaInP.
■ Emitting Color: Super bright Yellow.
■ Device Outline: $\Phi 5 \times 4$ mm ellipse type.
■ Lens Type: Yellow diffused



CUSTOMER APPROVED SIGNATURES	APPROVED BY	SALES BY	PREPARED BY
			

NINGBO FORYARD OPTOELECTRONICS CO.,LTD.

Add: NO.115 Qixin Road Ningbo Zhejiang China

Zip: 315051

Tel: 0086-574-87933652 87927870 87922206

Fax: 0086-574-87927917

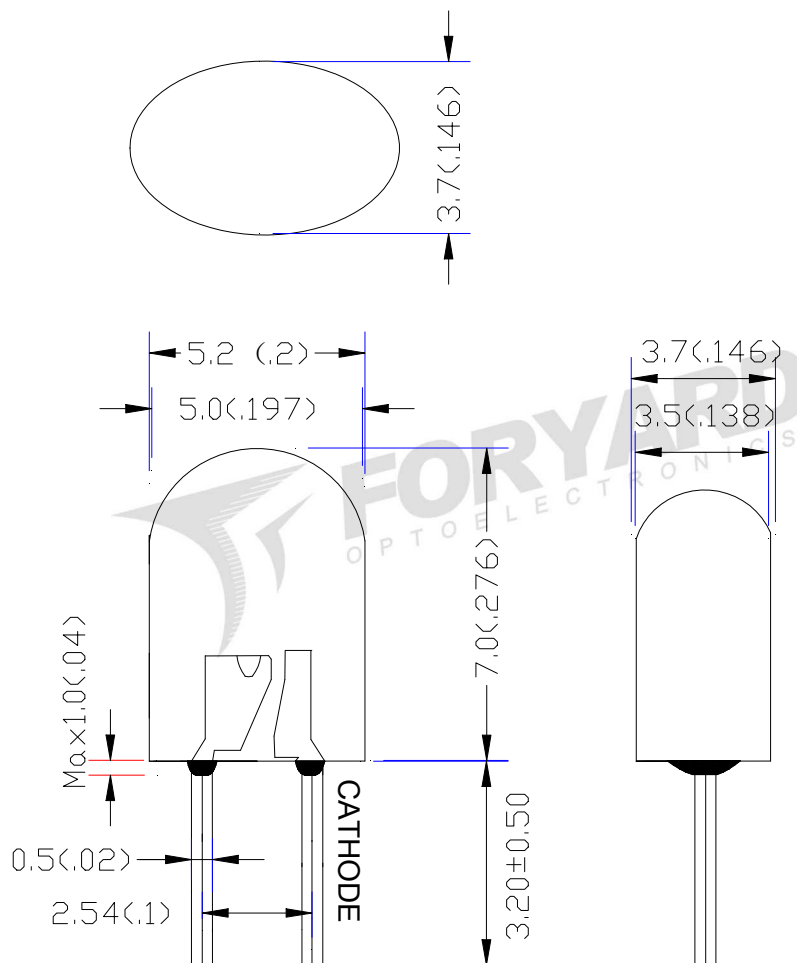
E-mail: Sales@foryard.com (General)

[Http://www.foryard.com](http://www.foryard.com)

■ Features

1. Low power consumption.
2. High efficiency.
3. General purpose leads.
4. High intensity.
5. RoHs compliant.

■ Package configuration



Notes:

1. All dimensions are millimeters (inches)
2. Tolerance is ±0.25mm(.010") unless otherwise noted.
3. The specifications, characteristics and technical data described in the datasheet are subject to change without prior notice.

■ Absolute maximum ratings(Ta=25 °c)

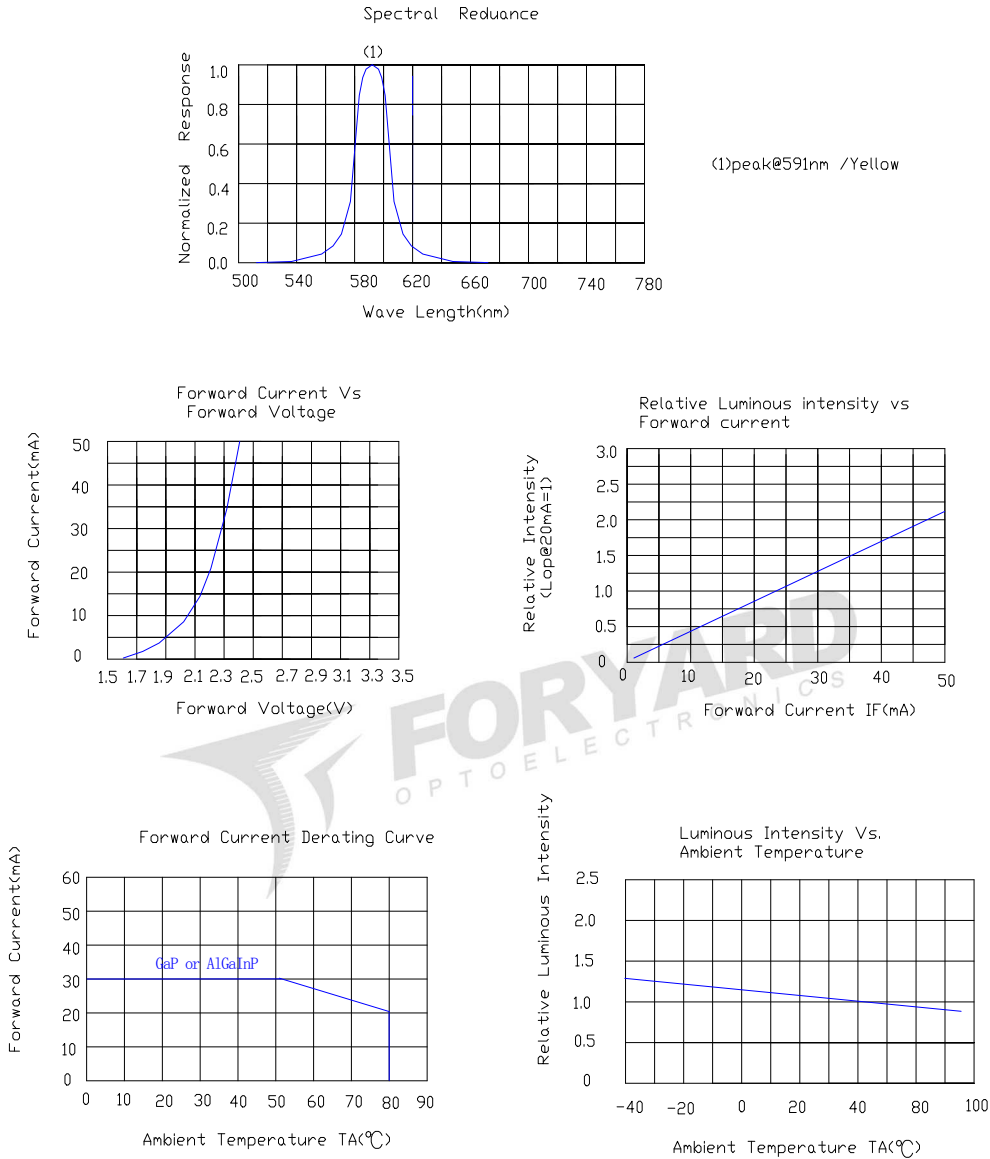
Parameter	MAX.	Unit
Power Dissipation	75	mW
Peak Forward Current (1/10 Duty Cycle, 0.1ms Pulse Width)	100	mA
Continuous Forward Current	30	mA
Derating Linear From 50°C	0.4	mA/°C
Reverse Voltage	5	V
Operating Temperature Range	-40°C to +85°C	
Storage Temperature Range	-40°C to +100°C	
Lead Soldering Temperature[4mm(.157") From Body]	260°C for 5 Seconds	

■ Electrical and optical characteristics(Ta=25 °c)

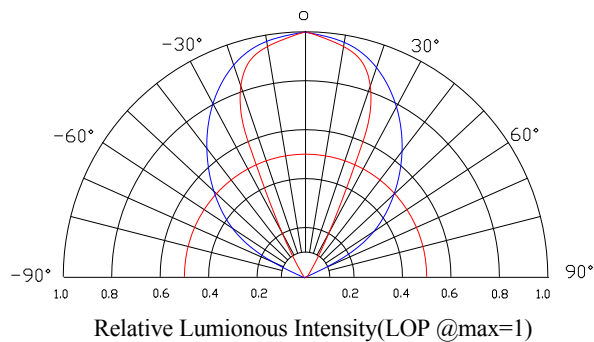
Parameter	Symbol	Min.	Typ.	Max.	Unit	Test Condition
Luminous Intensity	I _v	600	1200	–	mcd	I _F =20mA
Viewing Angle	2θ _{1/2}	X	100	–	Deg	
		Y	55			
Peak Emission Wavelength	λ _p	–	591	–	nm	
Dominant Wavelength	λ _d	588	590	594	nm	
Spectral Line Half-Width	Δλ	–	20	–	nm	
Forward Voltage	V _F	1.9	2.1	2.3	V	
Reverse Current	I _R			10	μA	

■ Typical Electrical Characteristics Curves

(25 °c Ambient Temperature Unless Otherwise Noted)

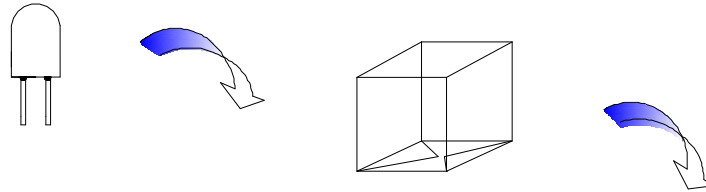


Radiation pattern.

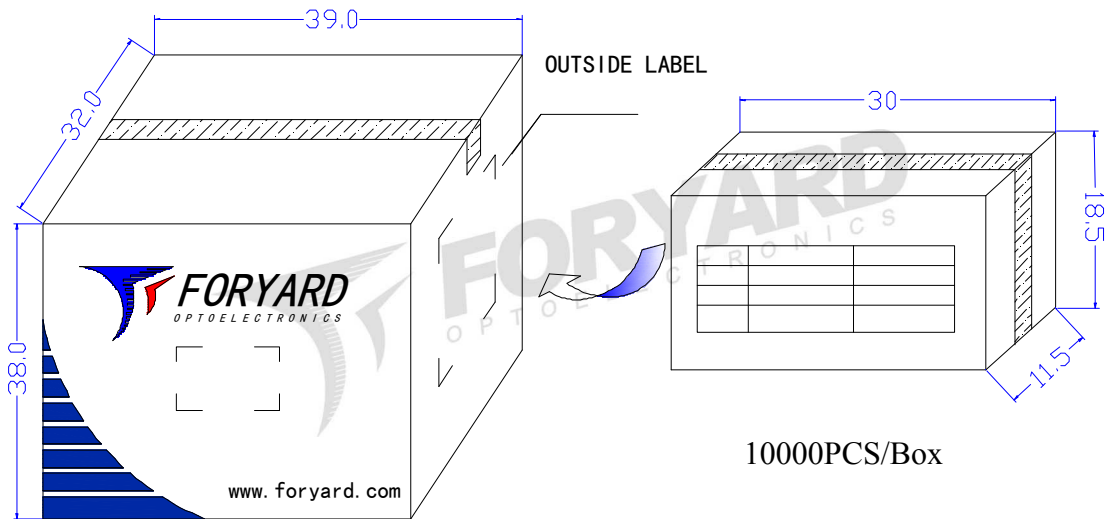
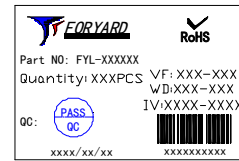


Model No.	FYL-5463NUYD1E-L3.2
Date / Rev.	2018.06.27 / A

■ LAMP PACKING.



5mm 1000PCS/Polybag



60000PCS/Carton



OUTSIDE LABEL