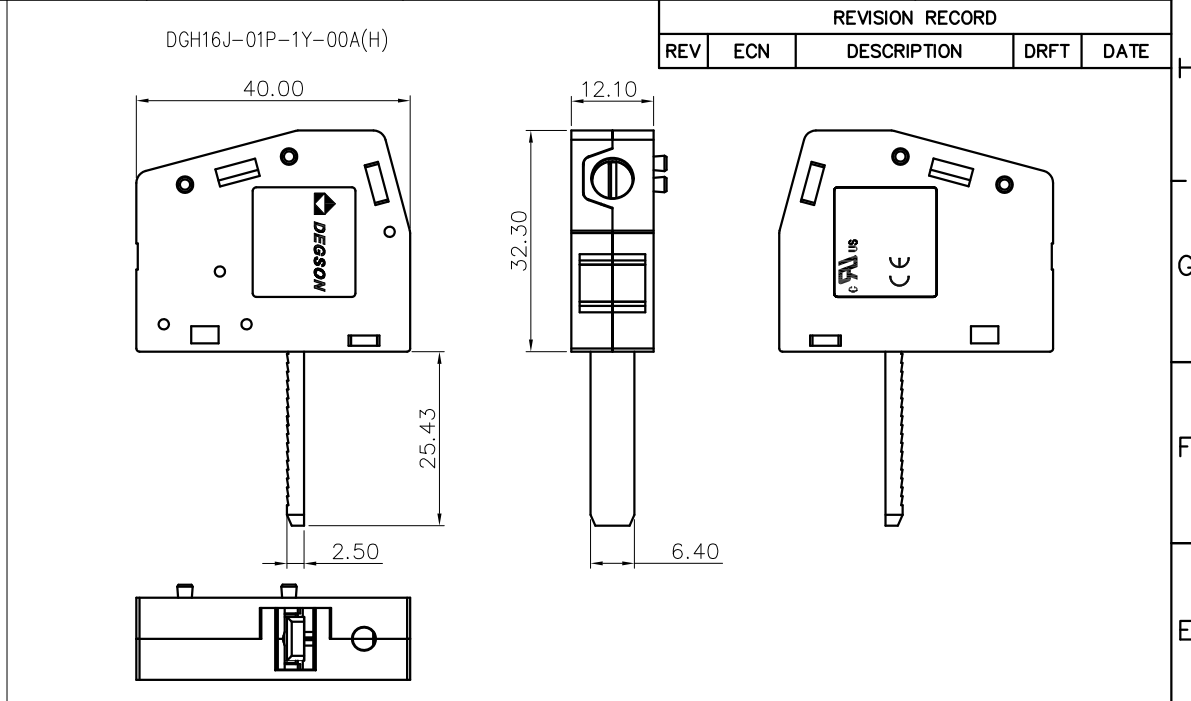
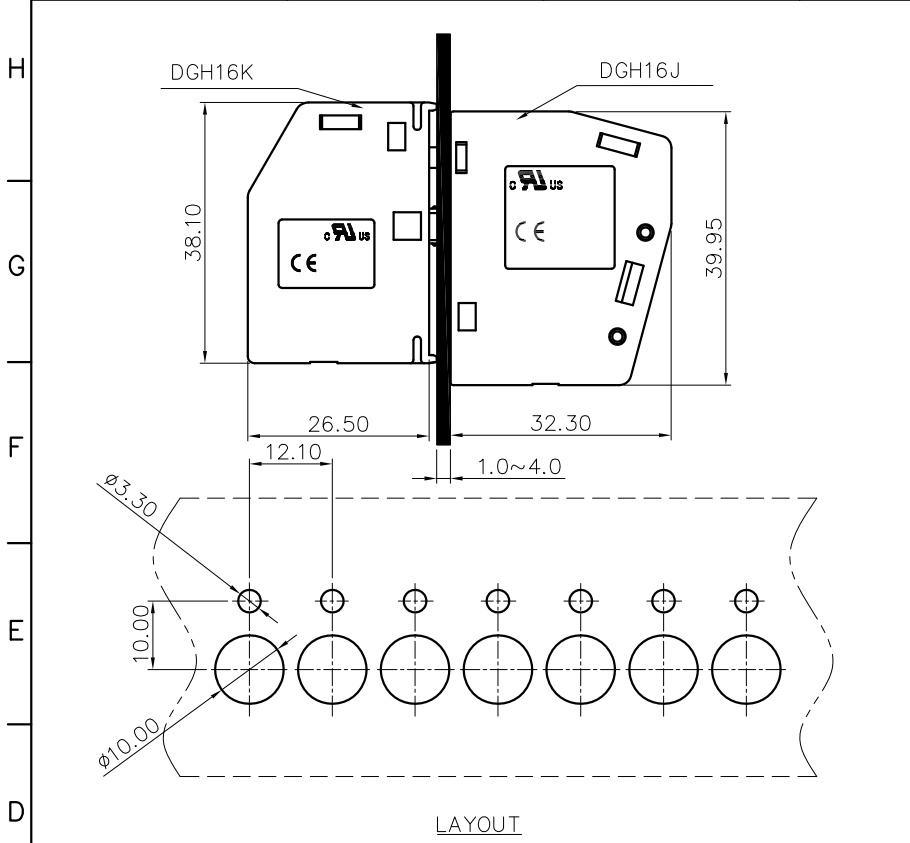


REVISION RECORD				
REV	ECN	DESCRIPTION	DRFT	DATE



NOTES1:
 UL Standard
 1. Rated voltage/current : 600V / 85A
 2. Withstanding voltage : AC2200V/1Min.
 3. Torque value : M5 , 17.54Lb.in
 4. Wire range : 20~4AWG
 IEC Standard
 1.

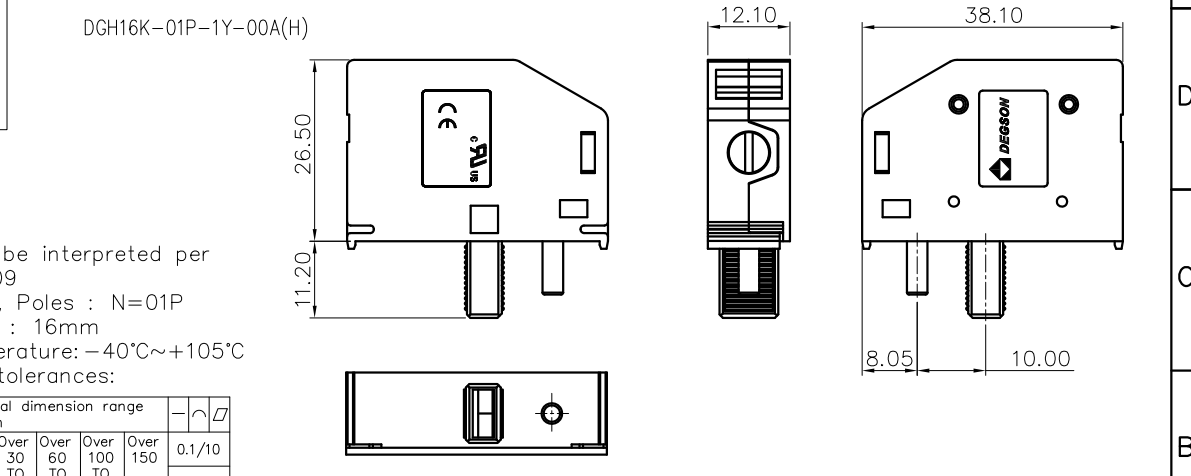
Pollution degree	2
Overvoltage category	III
Rate impulse voltage(KV)	6.0KV
Rate voltage(V)	500
Rate current(A)	76A

2. Torque value : M5 , 2.0N·m
 3. Wire range : 0.5~16mm²
 DGH16 - 01P - 1Y - 00A (H)
 (Series No.)(Poles) (Single Pitch) (Color):1.(Grey)
 2.(Blue) 3.(Black) 4.(Green) 5.(Orange)
 6.(Red) 7.(Transparent) 8.(Yellow) 9.(White)

NOTES2:
 1. Dimension shall be interpreted per ASME Y14.5-2009
 2. Pitch : 12.1mm, Poles : N=01P
 3. Stripping length : 16mm
 4. Operating temperature: -40°C~+105°C
 5. Undimensioned tolerances:

Pitch range in mm	Nominal dimension range in mm			0.1/10
Over 6 TO 10	Over 10 TO 24	Over 30 TO 60	Over 60 TO 100	Over 100 TO 150
±0.15	±0.20	±0.30	±0.50	±0.70
±0.30	±0.50	±0.70	±1.00	±1.30
±0.30	±0.50	±0.70	±1.00	±1.30

6. RoHS Compliance



DETACHED LISTS	PART NO.:	/			
	APPD:	/			
	CHKD:	/			
	DRFT:	/			
	THIRD ANGLE PROJECTION		DRAWING NO.:		MM (INCH)
/		/		DO NOT SCALE DRAWING	
/		/		SCALE 1:1	
/		/		SCALE 1:1	

宁波高松电子有限公司
 NINGBO DEGSON ELECTRICAL CO., LTD

NAME: DGH16-01P-1Y-00A(H)

TITLE: CUSTOMER DRAWING

REV: / SHEET: 1/1