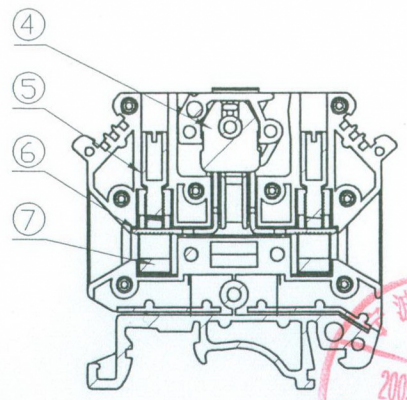
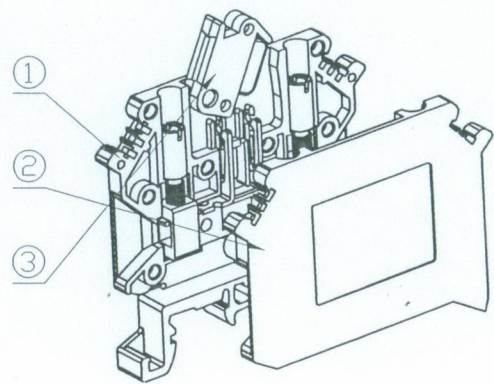
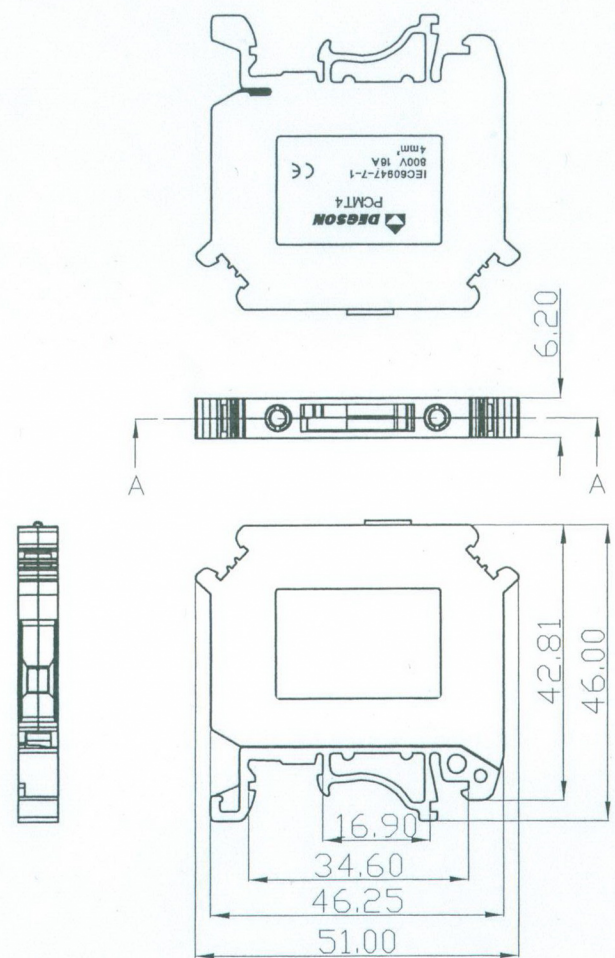


REVISION RECORD				
REV	ECD	DESCRIPTION	DRFT	DATE



SECTION A-A

- Notes:
1. Rated voltage/current:UL1059 600V/15A
IEC 800V/16A
 2. Operation temperatures:-40°C~+105°C
 3. Withstand Voltage:AC3000V/1min
 4. Insulation Resistance:5000MΩ/DC1000V
 5. Wire Range:24~12AWG, 4mm²
 6. Max. Torque Value:M3, 5. 10Kgf. cm
 7. Undimensioned Tolerances:

波高正
发行章
2009.1.16
文管中心

Pitch range in mm			Nominal dimension range in mm				
over 6	over 10		over 30	over 60	over 100	over 150	∩
to 6	to 10	to 24	to 30	to 60	to 100	to 150	□
±0.10	±0.15	±0.25	±0.2	±0.3	±0.5	±0.7	±1

7	PCDK4-Brass cage	X000001840(H)	2	Brass	Ni Plated
6	PCMT4-Clamp	6146B00010(H)	2	Phosphor Bronze	Ni Plated
5	PCMT4 M3"-Screw	S000002860(H)	2	Brass	Ni Plated
4	PCMT4-Kinfe switch	6146B00020(H)	1	Brass	SnCe Plated
3	PCMT4-Kinfe box	6146D1501A(H)	1	PA66	UL94V-0
2	PCMT4-Housing two	6146A0Y01C(H)	1	PA66	UL94V-0

ITEM	NAME OF PART	NO. OF PART	Q"TY	MATERIAL	NOTES
1	PCMT4-Housing one	6146A0Y01A(H)	1	PA66	UL94V-0

MM (INCH)	DFTD ZYH	DATE 06/13/08*
TOLERANCES EXCEPT AS NOTED	CHKD Huang	DATE 01/14/09**
MM	MFD	DATE
.0 ±	APPVL hzf	DATE 01/15/09
.00 ±		
.000 ±		
ANGLES ± 1'	G.E :	
THIRD ANGLE PROJECTION	FINISH:	
	SCALE :	

NAME		DEGSON® 宁波高正电子有限公司 DEGSON ELECTRONICS CO., LTD	
PCMT4-01P-1Y-00A(H)			
DRAWING NO. PCMT4-E01		SIZE	REV TO
/PART NO.		A4	01/12/09
DO NOT SCALE DRAWING		SHEET 1	OF 1