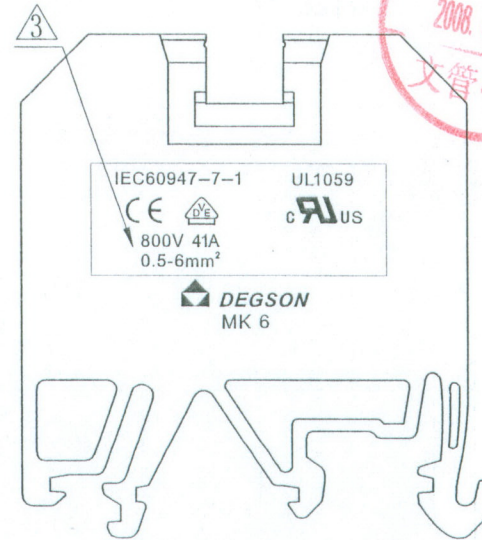
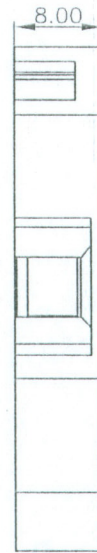
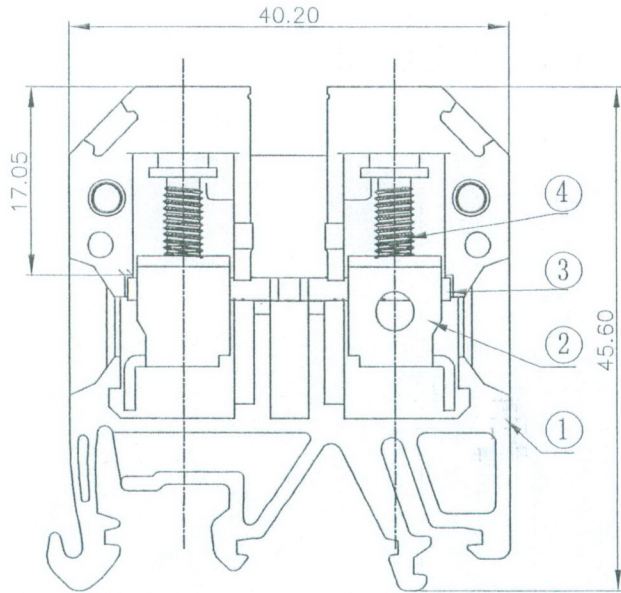
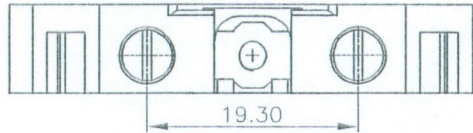


D1RFRD006



REVISION RECORD				
REV	ECO	DESCRIPTION	DRFT	DATE
△		增加UL刻字	CSX	08/07/07
△		品名、料号增加环保标示“(H)”	LJH	12/10/07
△		增加VDE刻字及参数	Zengy	08/23/08

Notes:

1. Rated voltage/current:UL 600V/3A  
VDE 800V/41A
2. Operation temperatures:-40°C~+105°C
3. Withstanding Voltage:AC3000V/1min
4. Insulation Resistance:5000MΩ/DC1000V
5. Wire Range:22~8AWG, 0.5~6mm<sup>2</sup>
6. Max. Torque Value:M3.5, 8.16kgf.cm
7. Undimensioned Tolerances:

Pitch range in mm			Nominal dimension range in mm				
to	over	to	to	over	over	over	
6	6	10	30	30	60	100	150
±0.10	±0.15	±0.25	±0.2	±0.3	±0.5	±0.7	±1.0
							0.05/10



IEC60947-7-1 UL1059  
CE 800V 41A 0.5-6mm<sup>2</sup>  
c R US

DEGSON MK 6

4	MK 6-screw	S000001780(H)	2	Steel	Cr <sup>3+</sup> Zn
3	MK 6-contact	6018B00010(H)	1	Brass	Ni plated
2	MK 6-Iron cage	X000001010(H)	2	Iron	Cr <sup>3+</sup> Zn

ITEM	NAME OF PART	NO. OF PART	Q'TY	MATERIAL	NOTES
1	MK 6-01P-1Y-00A-housing	6018A0Y01A(H)		PA66	UL94V-0

DFTO: Zhuwm CHKD: HJ MFO: Hany DATE: 12/14/05 DATE: 08/25/08 DATE: 08/26/08	宁波高正电子有限公司 DEGSON <sup>®</sup> DEGSON ELECTRONICS CO., LTD
TOLERANCES EXCEPT AS NOTED MM: .00 ±, .000 ± ANGLES ± 1° THIRD ANGLE PROJECTION	NAME: MK 6-01P-1Y-00A(H) G.E.: FINISH: SCALE: 1:1 DO NOT SCALE DRAWING
DRAWING NO. MK 6-E02 /PART NO.	SIZE: A3 REV: T3 08/23/08 SHEET 1 OF 1