

Cermet Potentiometer Series

KLS4-3314 Cermet Potentiometer Series

IV

Electrical Characteristics

Standard Resistance Range: 10Ω~ 2MΩ
 Resistance Tolerance:±20%
 Terminal Resistance:≤1% R or 2Ω Max.
 Contact resistance variation:CRV ≤1% R or 3Ω Max
 Insulation Resistance: $R_i \geq 1G\Omega$
 Withstand Voltage:101.3kPa 500V
 Electrical Travel:210° ±10

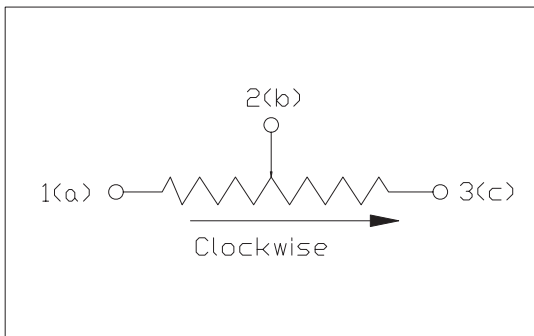


Environment Characteristics

Power Rating (300 volts max.):+70°C 0.25W,+125°C 0W
 Temperature Range:-55°C ~ +125°C
 Temperature Coefficient:±100ppm/°C
 Temperature Variation: $\Delta R \leq \pm 2\% R, \Delta(U_{ab} / U_{AC}) \leq \pm 2\%$
 Vibration:390m/s²,4000 times $\Delta R \leq \pm 3\% R$
 Collision:10 ~ 500Hz,0.75mm,or 98m/s²,6h, $\Delta R \leq \pm 1\% R, \Delta(U_{ab} / U_{ac}) \leq 2\%$
 Climate Category: $\Delta R \leq \pm 3\% R, R_i \geq 100M\Omega$
 Electrical Endurance at 70°C: 0.25W,1000h, $\Delta R \leq \pm 3\% R$
 Mechanical Endurance:100cycles, $\Delta R \leq \pm 3\% R$
 Steady Damp-Heat: $\Delta R \leq \pm 3\% R, R_i \geq 100M\Omega$

Physical Characteristics

Total mechanical travel:240° ±10
 Starting torque:≤35mN.m
 Standard packaging:25pcs/tube



Resistance (Ω)	Code
10	100
20	200
50	500
100	101
200	201
500	501
1000	102
2000	202
10000	103
20000	203
50000	503
100000	104
200000	204
500000	504
1000000	105
2000000	205

ORDER INFORMATION

Product NO.: KLS4-3314 J-103

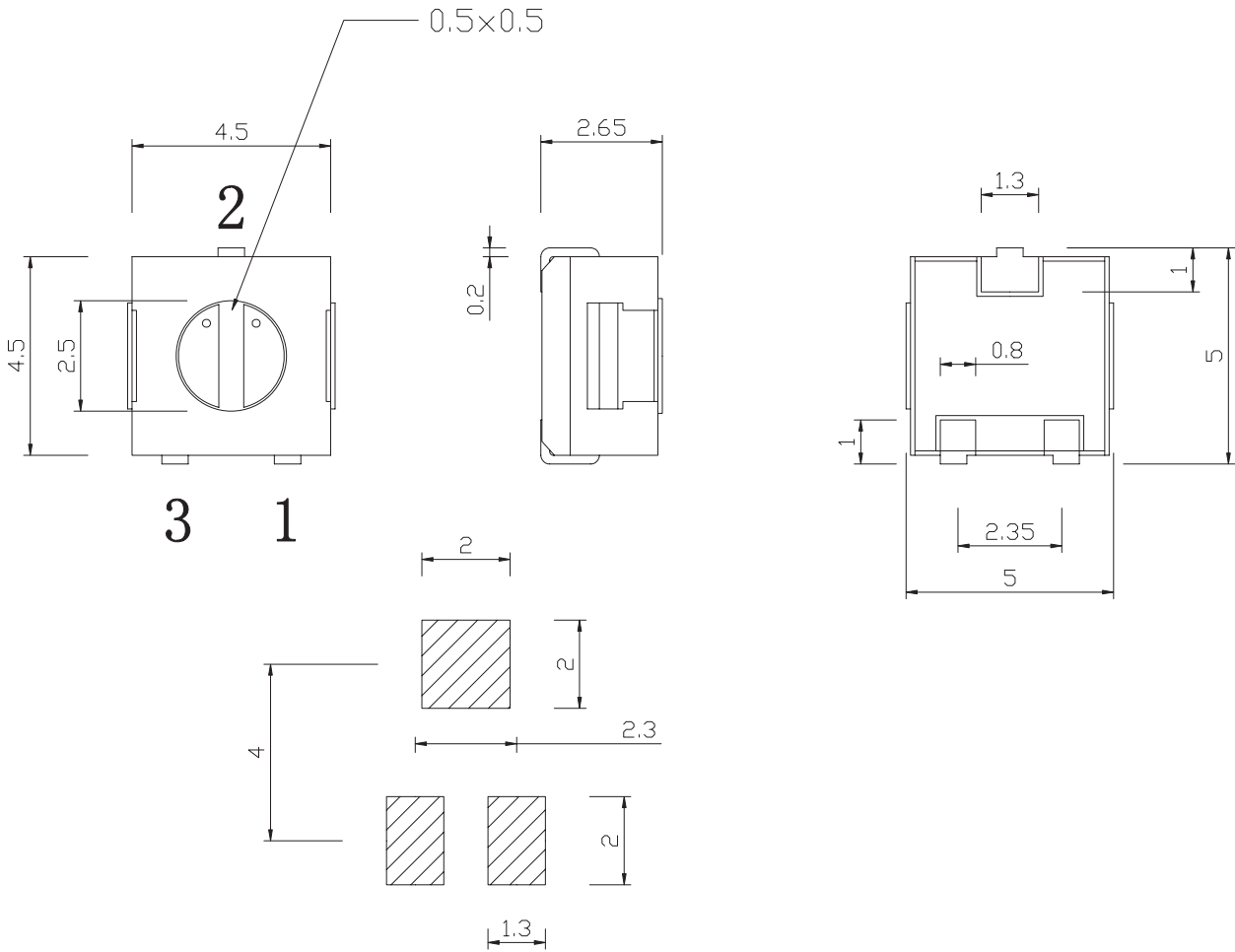
Pos. NO. _____ 103:Resistance Code
 3314:Model _____ J:Style

Cermet Potentiometer Series

KLS4-3314 Cermet Potentiometer Series



3314J



PCB Layout

ORDER INFORMATION

Product NO.: KLS4-3314 J-103

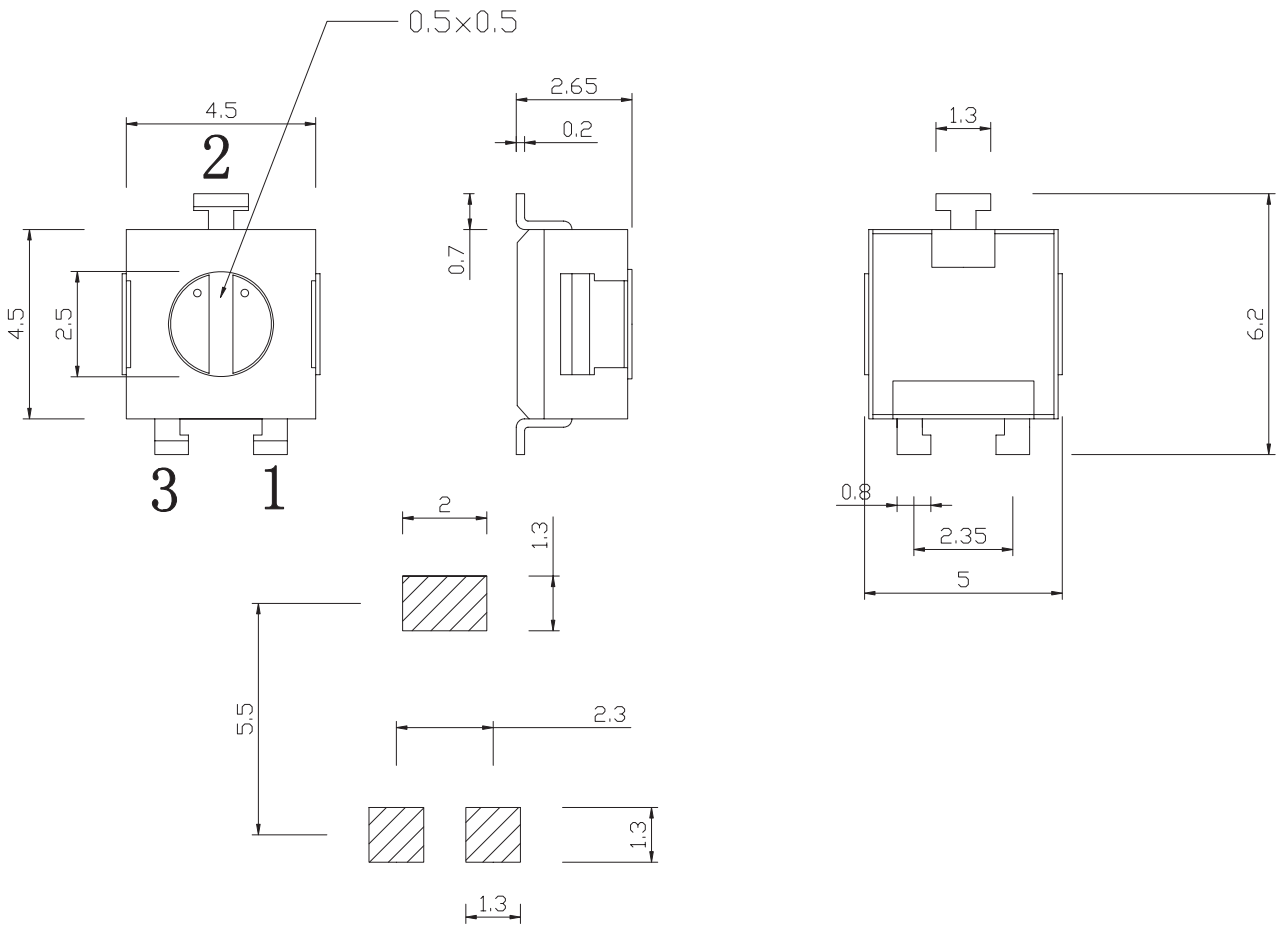


Potentiometer

Cermet Potentiometer Series

KLS4-3314 Cermet Potentiometer Series

3314G



PCB Layout

ORDER INFORMATION

Product NO.: KLS4-3314 G-103

Pos. NO. _____ 103:Resistance Code
3314:Model _____ G:Style