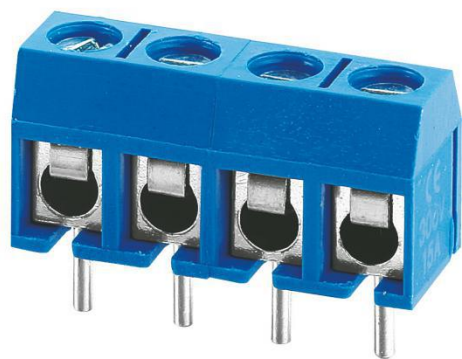


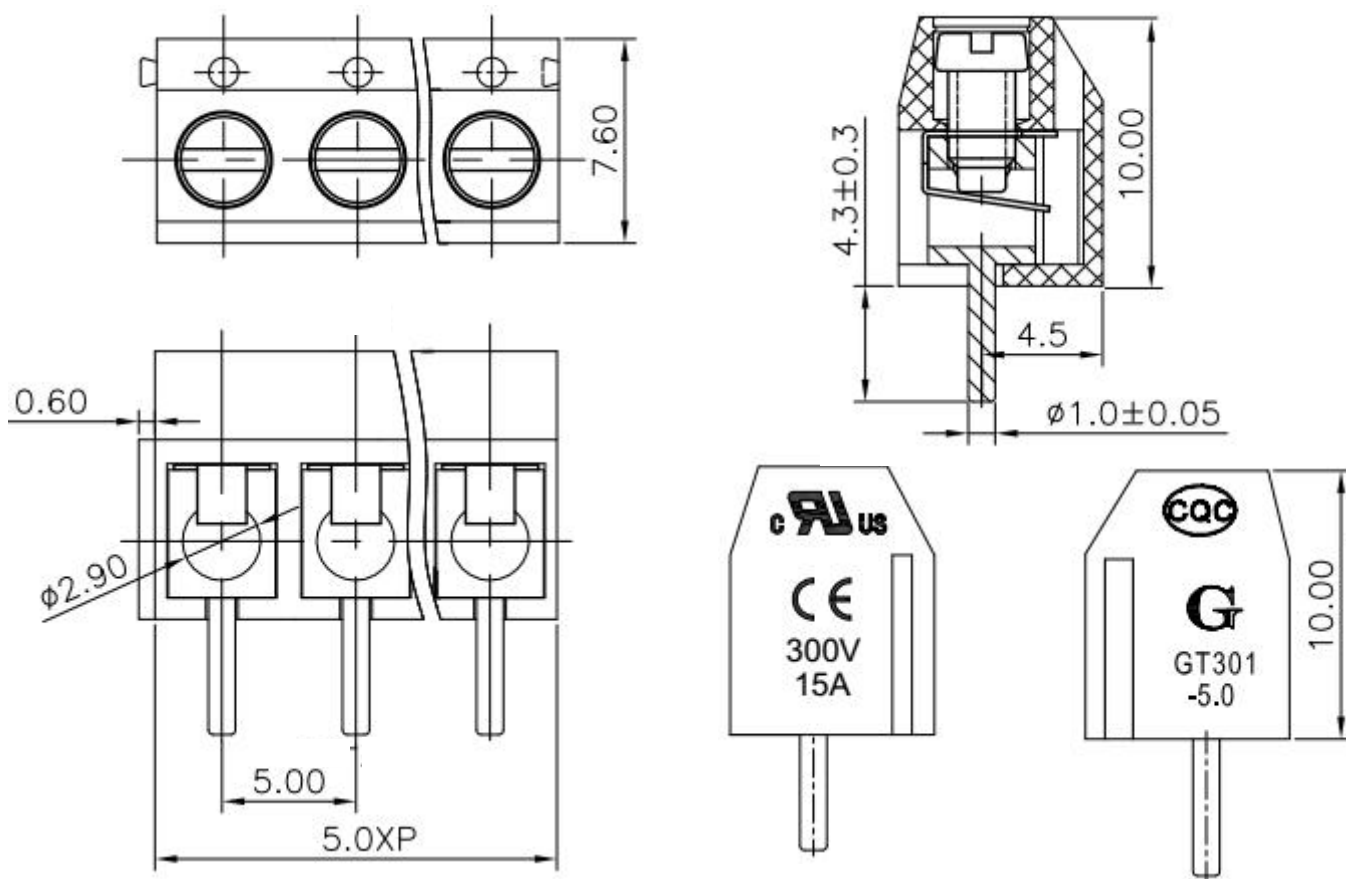
APPROVALS: c  us  RoHS    (submitted)



## PART NO.:GT301-5.0

- PCB Screw Terminal Block,
- Nominal Current(UL): 15A
- Rated Voltage(UL): 300V
- Number of Positions: 2P,3P-24P
- Standard Color: Blue
- Connection Method: Screw Connection

## DRAWINGS:



**TECHINICAL DATA:**

<b>Electrical</b>		
Standard	UL	IEC
Rated voltage	300V	250V
Rated Current	15A	17.5A
Wire Range	22-14AWG	1.5mm <sup>2</sup>
Withstanding voltage	AC2000V/1Min	
<b>Mechanical</b>		
Torque	4.08kgf.cm	
Operation temperature	-30°C~+120°C	
Strip length	5mm	
<b>Dimensions</b>		
Pitch	5.0mm	
Poles	2P,3P-24P	
<b>Material</b>		
Housing	PBT,UL94V-0	
Screws	M2.5,steel,Cr <sup>3+</sup> Zn plated	
Wire guard	Stainless steel	
Pin header	Brass,SnCe plated	

**APPLICATION:**

Elevator, Industry, Security, Instrument, Machinery, Communication, Lighting, Construction, Electrical