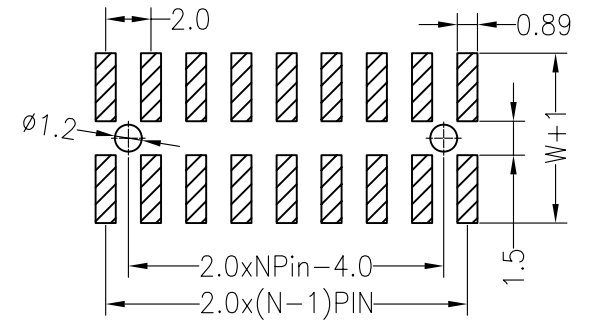


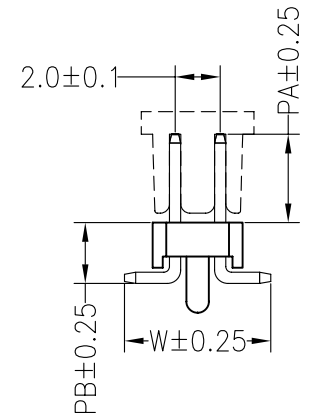
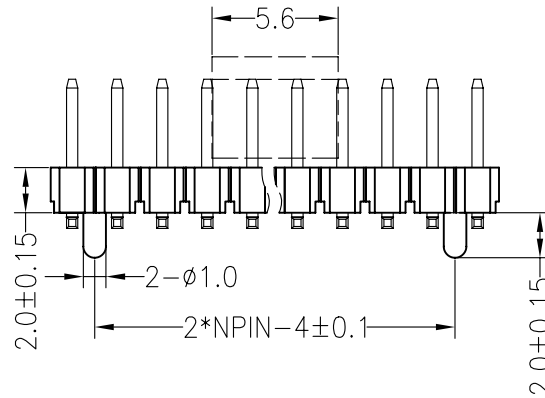
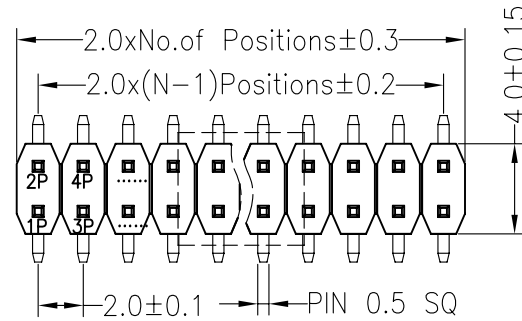
Recommended P.C.B Layout(Top Side)  
(PCB BOARD TOLERANCE±0.05)



SPECIFICATIONS

Rated Current:1.5AMP  
Contact Resistance:20mΩ Max  
Withstand Voltage:500V AC/DC  
Insulation Resistance:1000MΩ Min  
Operation Temperature:-40°C to +105°C

Contact Material:Brass  
Contact Plating:Au or Sn Over Ni  
Insulator Material:Polyester(UL94V-0)  
Standard: PA6T  
Max.Processing Temp: 230°C for 30-60 seconds  
(260°C for 5 seconds)



Dimension antitheses list				
ITEM	PA	PB	W	L
Standard	4.00	2.50	6.20	8.10
Alternate				

OPERATION	DRAW	YiYuSheng	12.04.11	SCALE	FIT
X.X ±0.30	CHECK			UNIT	mm
X.XX ±0.20				SIZE	A4
X.XXX ±0.10	APPROVE			SHEET	1/1
Angle ±3°				PROJ.	◆ ↗
DIM TOL					

**KLS ELECTRONIC CO; LTD**

PART NO. L-KLS1-207B-2-08-T3C-R-6.2\*4.0\*0.5

TITLE: 2.0PH 2xNpin H2.0MM SMT夹持盖

REV	DATE	MODIFICATION DESCRIPTION	CHANGE
A0	2012.04.11	NEW DRAWING	