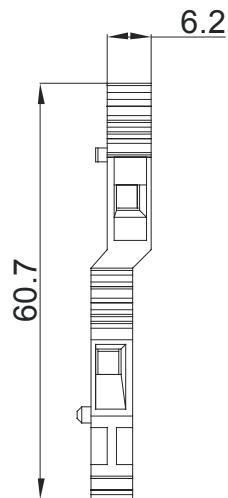
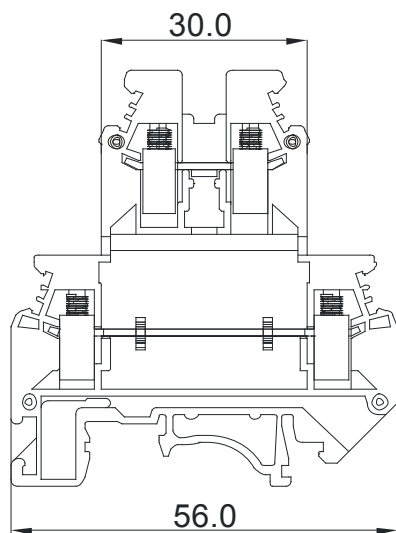
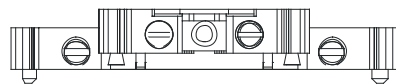
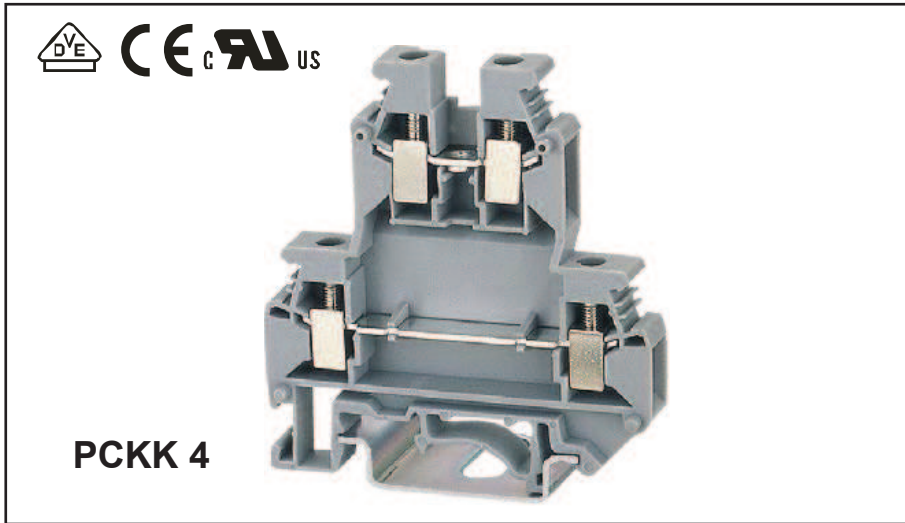




DEGSON ELECTRONICS CO., LTD.

Product Specification



Approval		
Electrical	UL	IEC
Standard		
Rated voltage	300V	500V
Rated current	30A	32A
Wire size	10-26AWG	0.2-4.0mm ²
T/W/End plate		6.2/56/2.6mm
Height(NS35:7.5/NS35:15/NS32)		62/69.5/67mm
Rated surge voltage/Contamination class		6KV/3
Stripping length		8mm
Screw thread/Tightening torque		M3/0.5N.m/4.5Lb-in
Internal cylindrical gage		A4
Insulating material/Inflammability class		PA/V-0
Specification	Model	Pieces
(1)Terminal block	PCKK 4	50
(2)Cover	D-PCKK 2.5	100
(3)Spacer plate	DG-PCKK 2.5	50
(4)Spacer plate	DP-PCKK 2.5	50
(5)Fixed bridge with fixed crimped rolls		
2P	FBI 10-6	10
3P		
5P		
10P		
(6)Insertion bridge		
2P	EB 2-6	100
3P	EB 3-6	100
10P	EB 10-6	10
(7)Isolator bridge bar,10P	ISSBI 10-6	10
(8)Bridge bar isolator	IS-K 4	100
(10)Separating plate	TS-KK3	400
(11)Partition plate	ATP-PCKK 2.5	50
(12)Zack strip	ZB 6	250

HOW TO ORDER :

- P - 1 -

X	X	X
Customer Request		

Series No. No. of pole Color

1	Gray	4	Green	7	Trans-parent
2	Blue	5	Orange	8	Yellow
3	Black	6	Red	9	white

	DEGSON ELECTRONICS CO., LTD.
 THROANGLE PROJECTION	NAME PCKK 4